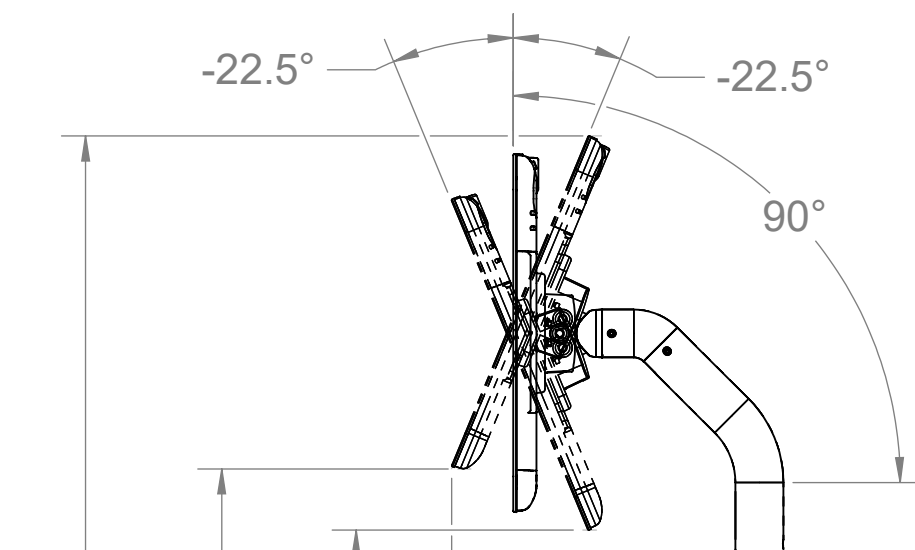
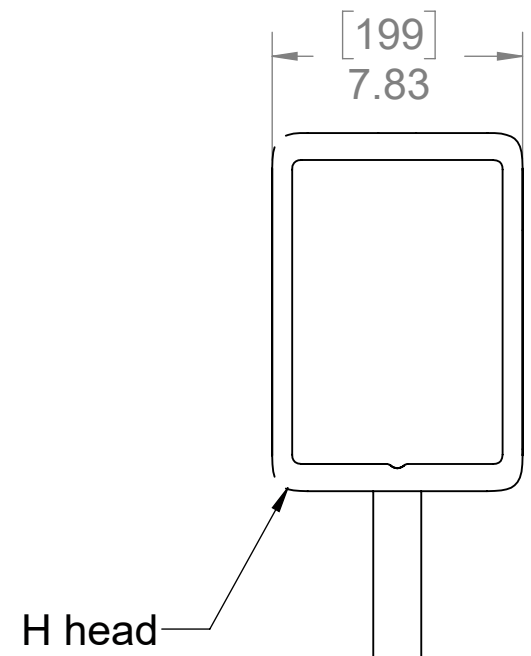


### H Head Enclosure in Landscape

<p>THIRD ANGLE PROJECTION</p>	<p><b>lilitab</b> 39B LARKSPUR STREET, SAN RAFAEL, CA 94901</p>		
	<p>DESCRIPTION: <b>Telemedicine Cart, H Head</b></p>		
<p>THIS DOCUMENT AND THE TECHNICAL DATA DISCLOSED ARE PROPRIETARY AND SHALL NOT BE USED, DUPLICATED, RELEASED OR DISCLOSED WITHOUT EXPRESSED WRITTEN PERMISSION.</p>	<p>DRAWING NUMBER: -</p>	<p>REVISION:</p>	
<p>UNITS: <b>[MM]INCHES</b></p>	<p>DO NOT SCALE DRAWING</p>	<p>SCALE: <b>1:6</b></p>	<p>SHEET: <b>1/2</b></p>



H head

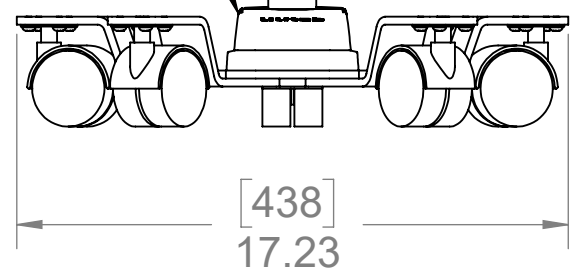
[1259]  
49.55

[994]  
39.15

[946]  
37.24

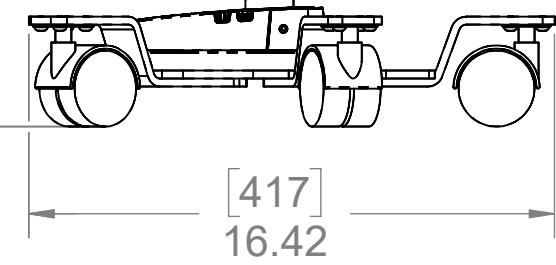
Cord Wrap

AC Adapter Storage



[438]  
17.23

[53]  
2.10



[417]  
16.42

### H Head Enclosure in Portrait

THIRD ANGLE PROJECTION  
  
 THIS DOCUMENT AND THE TECHNICAL DATA DISCLOSED ARE PROPRIETARY AND SHALL NOT BE USED, DUPLICATED, RELEASED OR DISCLOSED WITHOUT EXPRESSED WRITTEN PERMISSION.  
 UNITS: **[MM]INCHES**

<b>lilitab</b> 39B LARKSPUR STREET, SAN RAFAEL, CA 94901	
DESCRIPTION: <b>Telemedicine Cart, H Head</b>	
DRAWING NUMBER: -	REVISION:
DO NOT SCALE DRAWING	SCALE: <b>1:6</b> SHEET: <b>2/2</b>