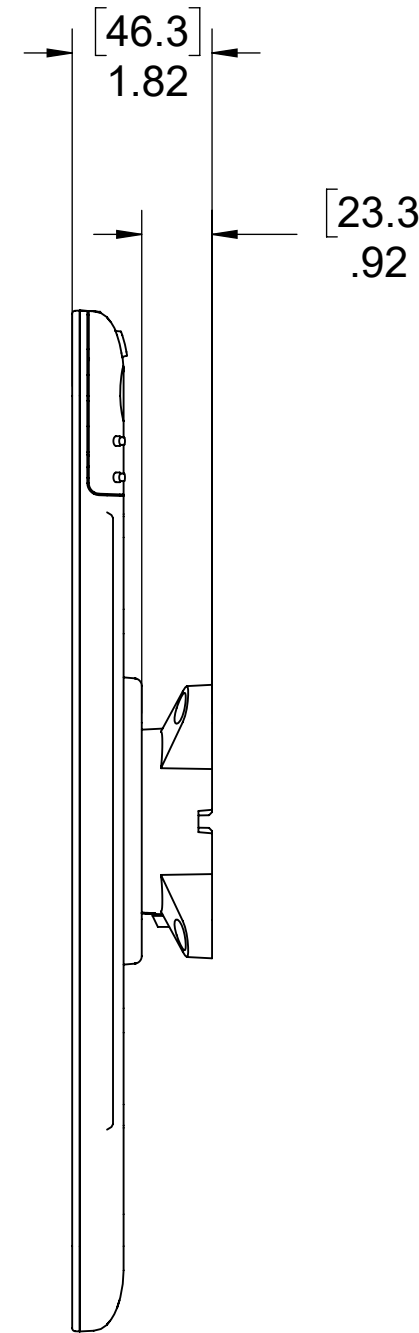
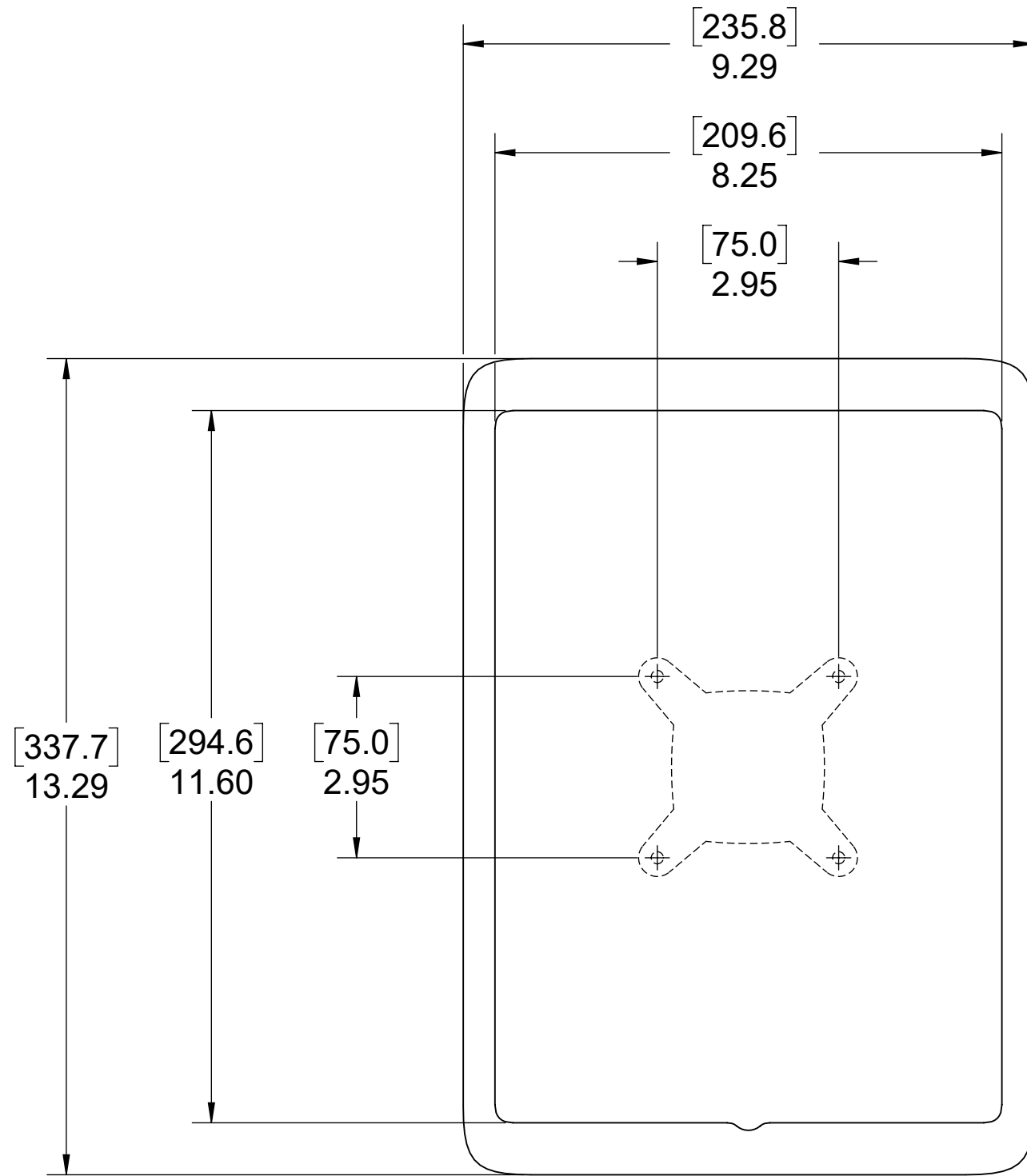


|  |   |                              |                              |
|--|---|------------------------------|------------------------------|
| <p>THIRD ANGLE PROJECTION</p>  | <p><b>lilitab</b><br/>39B LARKSPUR STREET, SAN RAFAEL, CA 94901</p> |                              |                              |
| <p>THIS DOCUMENT AND THE TECHNICAL DATA DISCLOSED ARE PROPRIETARY AND SHALL NOT BE USED, DUPLICATED, RELEASED OR DISCLOSED WITHOUT EXPRESSED WRITTEN PERMISSION.</p> | <p>DESCRIPTION:<br/><b>PICTURE MOUNT P</b></p>                      |                              | <p>REVISION:</p>             |
|  | <p>DRAWING NUMBER:<br/>-</p>  | <p>REVISION:</p>             |                              |
| <p>UNITS:<br/><b>[MM]INCHES</b></p>  | <p>DO NOT SCALE DRAWING</p>   | <p>SCALE:<br/><b>3:5</b></p> | <p>SHEET:<br/><b>1/2</b></p> |



|  |   |                              |                              |
|--|---|------------------------------|------------------------------|
| <p>THIRD ANGLE PROJECTION</p>  | <p><b>lilitab</b><br/>39B LARKSPUR STREET, SAN RAFAEL, CA 94901</p> |                              |                              |
| <p>THIS DOCUMENT AND THE TECHNICAL DATA DISCLOSED ARE PROPRIETARY AND SHALL NOT BE USED, DUPLICATED, RELEASED OR DISCLOSED WITHOUT EXPRESSED WRITTEN PERMISSION.</p> | <p>DESCRIPTION:<br/><b>PICTURE MOUNT P</b></p>                      |                              |                              |
|  | <p>DRAWING NUMBER:<br/>-</p>  | <p>REVISION:</p>             |                              |
| <p>UNITS:<br/><b>[MM]INCHES</b></p>  | <p>DO NOT SCALE DRAWING</p>   | <p>SCALE:<br/><b>2:5</b></p> | <p>SHEET:<br/><b>2/2</b></p> |