

lilitab Wall Pro Mount

Assembly Instructions

v4.0

TABLE OF CONTENTS

Assembly Preparation and Packing List	3
Features	4
Assembly Instructions	5

GOT QUESTIONS? WE'RE HERE TO HELP!

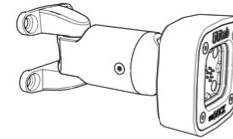
EMAIL support@lilitab.com **PHONE** 888.705.0190

MOUNT ASSEMBLY PREPARATION

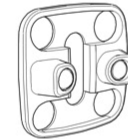
FOR MOUNTING, YOU'LL NEED:

- ✓ 4 x flat-head mount screws suitable for your wall surface

PACKING LIST



1 x wall mount



1 x bumper plate



2 x MagDOCK keys



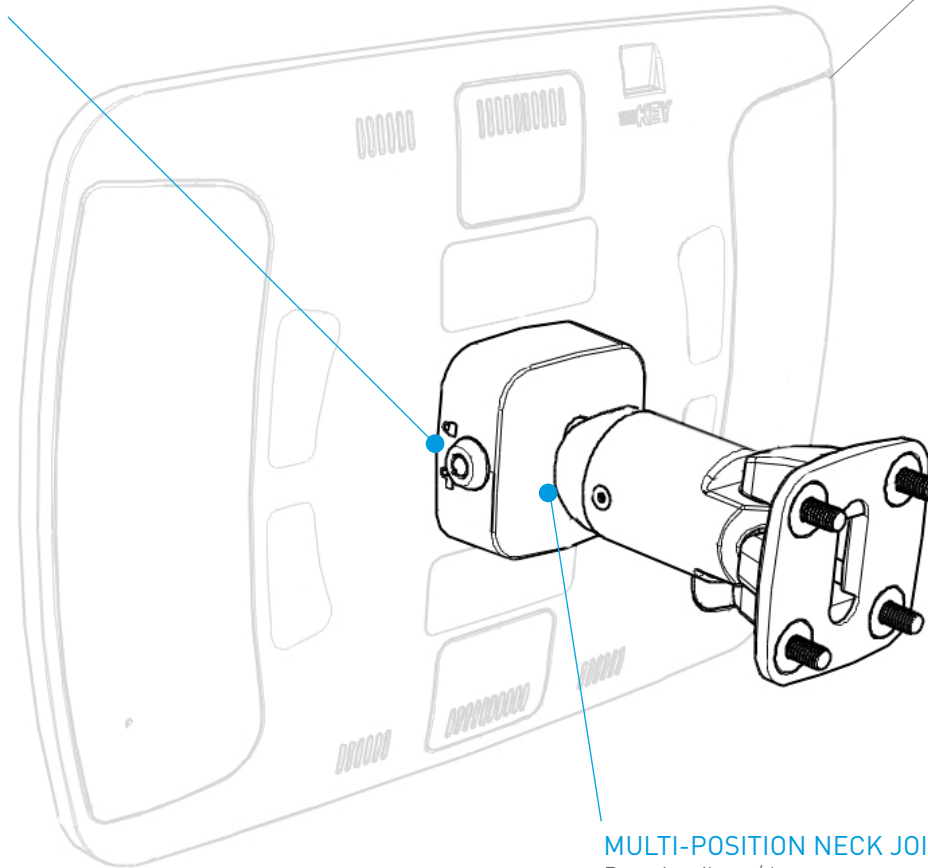
1 x L key

FEATURES

KEYLOCK

Turn the key to dock/undock your head unit. When the head unit is docked it automatically begins charging. Head unit can be docked in any orientation.

NOTE: Ensure the unit is locked when docked. Tilting or using the unit without the lock engaged will cause it to fall off.



Head unit shown for illustrative purposes only. Your head unit may vary depending upon your tablet choice. Please refer to your head unit owner manual for more details.

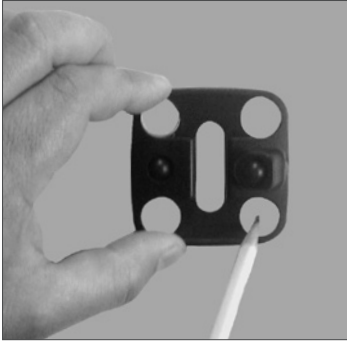
MULTI-POSITION NECK JOINT

Permits tilt up/down.

It has two operator configurable modes:

1. **Fixed.** The head unit can be set to any fixed $\pm 35^\circ$ angle.
2. **Tilt.** Can be configured to allow the user to tilt the head unit.

ASSEMBLY INSTRUCTIONS



1. Use bumper plate to mark screw locations on wall.

NOTE: If you are routing the USB cable through your wall substrate, trace the oval opening in the center of the bumper plate to mark the area that you will need to cutout to pass the USB cable through.



2. Attach mount arm to wall using four (4) flathead screws appropriate for your wall substrate (not included).

NOTE: Ensure the bumper plate is positioned between the mount arm and wall in the desired orientation to prevent the unit from hitting the wall when positioned.



3. Place your head unit onto the MagDOCK mount in either landscape or portrait orientation. Turn the key to lock it in place.

WARNING: Not locking the MagDOCK will result in the unit falling off, possibly damaging the unit and/or the tablet. The lilitab Pro is designed to be operated with the lock closed.

Refer to your lilitab Head owner's manual for tablet installation instructions.



4. Tilt feature. By default the lilitab head unit can be tilted by the user to suit. If you wish to disable tilt, position your head unit at the desired angle and tighten the bottom screw on the neck joint with the black L key provided.

