

Lilitab TableTop

Assembly Instructions

v2.0

TABLE OF CONTENTS

Assembly Preparation and Packing List	2
Assembly Instructions	3
Kensington Lock	5
TableTop Mount Bolt Through Template-No Base	6
TableTop Mount Bolt Through Template-With Base	7

FOR TABLETOP MOUNT BOLT THROUGH INSTALLATION, YOU'LL NEED:

- ✓ Powered drill/driver, preferably with impact action
- ✓ (4) M4 Screws (not included)

FOR TABLETOP BASE BOLT THROUGH INSTALLATION, YOU'LL NEED:

- ✓ Powered drill/driver, preferably with impact action
- ✓ (4) M6 Screws (not included)

TO SECURE YOUR LILITAB YOU'LL NEED:

- ✓ Kensington compatible cable lock
- ✓ Kensington Desk Mount Anchor
- ✓ Loradar Anchor Plate



← Scan to watch
assembly videos on
our YouTube Channel!

GOT QUESTIONS? WE'RE HERE TO HELP!

EMAIL support@lilitab.com PHONE 888.705.0190

PACKING LIST

INCLUDED



1 x TableTop Mount



2 x MagDOCK Keys



1 x Silver L Key



2 x M3 x 7mm Screws

INCLUDED IF YOU ORDERED TABLETOP BASE



1 x TableTop Base



4 x Silicone Bumpers

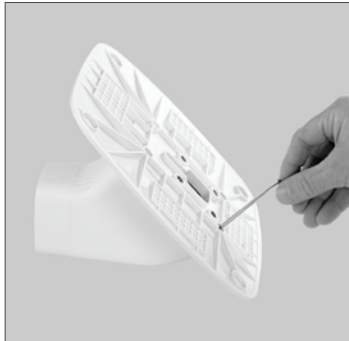


4 x VHB Tape Strips

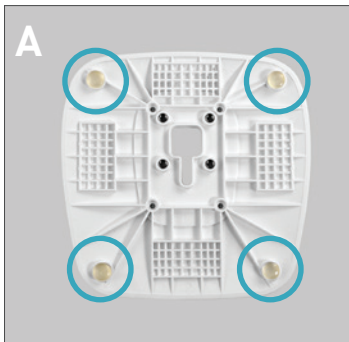


4 x M4 x 10mm Base Screws

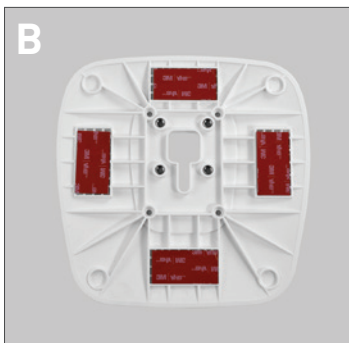
SEMI-PERMANENT AND MOBILE BASE ASSEMBLY



- 1. Attach Mount.** Line up the bottom of the TableTop Mount with the four (4) screw holes in the TableTop Base. Attach using the provided **L Key** and the **four (4) M4 x 10mm Base Screws**.



- 2. TableTop Base Installation.** Choose one:
A: TableTop Base Mobile: Insert the **four (4) Silicone Bumpers** into the four (4) recessed holes on the underside of the Tabletop Base as shown.



- B: TableTop Base Semi-Permanent:** Apply the **four (4) VHB Tape Strips** to the four (4) landing strips on the underside of the Tabletop Base as shown.



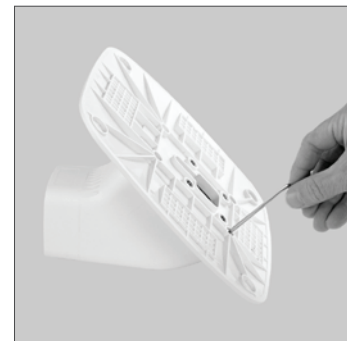
Refer to your Lilitab Head Unit owner's manual for tablet installation instructions.

BOLT THROUGH ASSEMBLY: WITH BASE

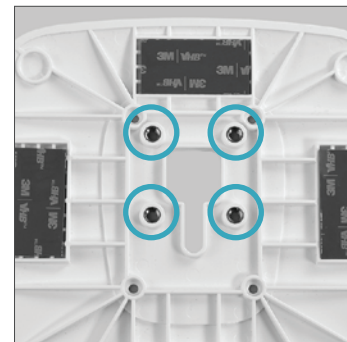


- 1. Drill holes.** Position on your surface and use the four (4) openings shown as a template to mark your drill points. You can also use the mounting pattern on page 7.

Drill 8mm clearance openings through your surface.



- 2. Attach Mount.** Line up the bottom of the TableTop Mount with the four (4) screw holes in the TableTop Base. Attach using the provided **L Key** and the **four (4) M4 x 10mm Base Screws**.



- 3. Bolt Through Installation.** Attach to your surface from underneath by using four (4) M6 screws of appropriate length (not included).

Refer to your Lilitab Head Unit owner's manual for tablet installation instructions.

BOLT THROUGH ASSEMBLY: NO BASE



- 1. Bolt Through Installation.** Mark hole placement using the mounting pattern on page 6.

Drill 6mm clearance openings through your surface.

Attach to your surface from underneath by using four (4) M4 screws of appropriate length (not included).

Refer to your Lilitab Head Unit owner's manual for tablet installation instructions.

CABLE MANAGEMENT



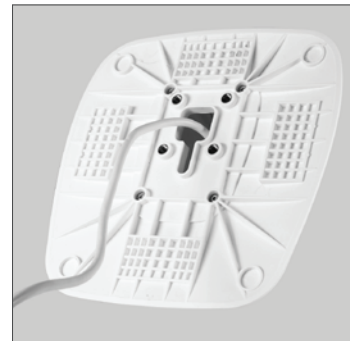
Equipment Compartment Door

The charging cable can run through the opening at the bottom of the equipment compartment door. Once installed, this door can be opened by unscrewing the two (2) screws with the provided **L Key**.



AC Adapter Option

The housing inside the TableTop can accommodate your AC Adapter if you prefer to conceal the cables.



Cable Exit From Base. Use this opening if you plan to pass the cable through your surface.

KENSINGTON LOCK



You can use a Kensington Desk Mount Anchor and the Loradar Anchor Plate with a Kensington Lockhead to secure your kiosk on a counter/surface.

PURCHASE OPTIONS FROM AMAZON

Kensington Slim Lockhead:

<https://amzn.to/3lWAAod>

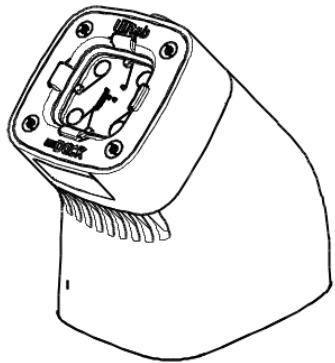
Kensington Desk Mount Anchor:

<https://amzn.to/3njssNU>

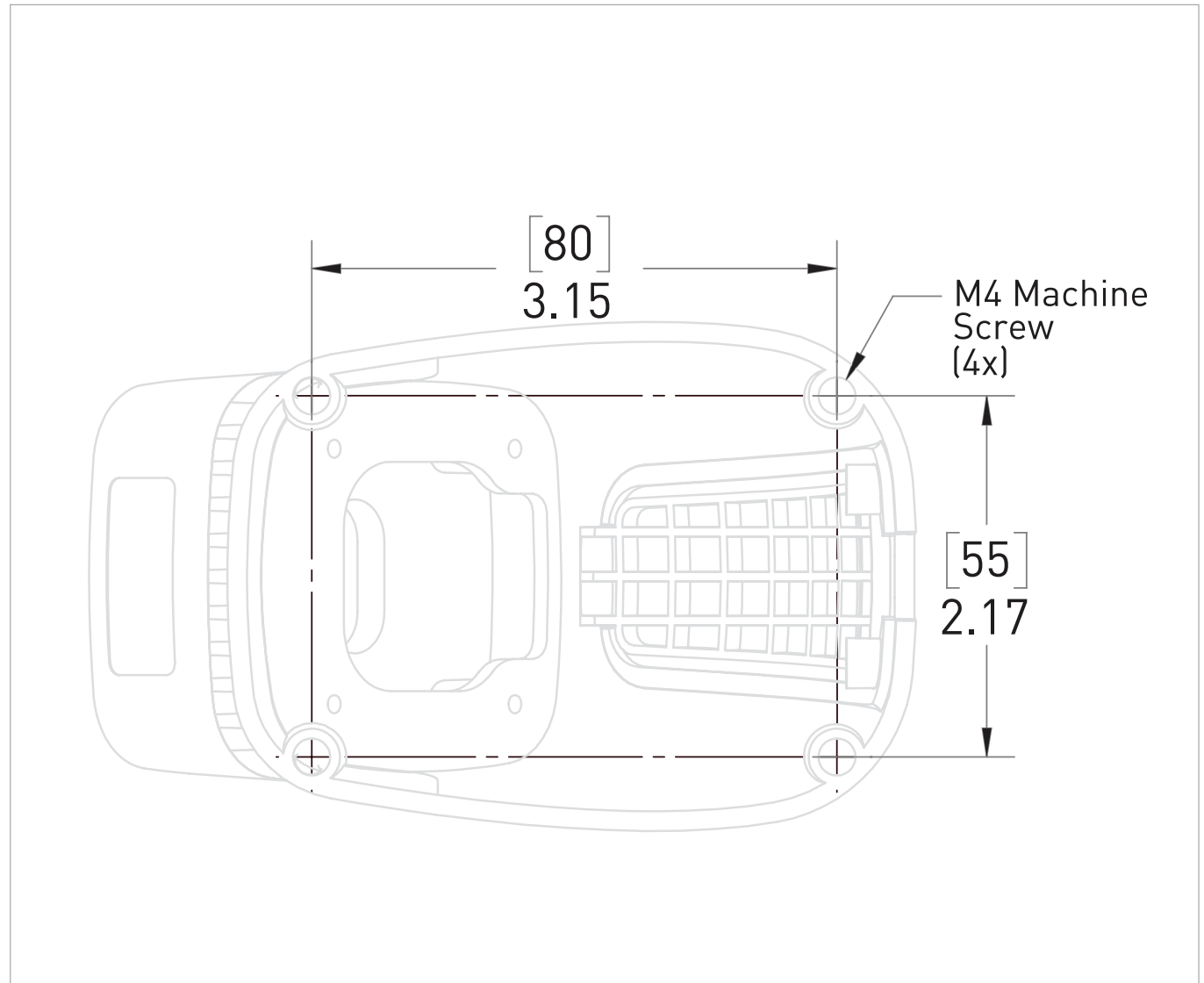
Loradar Anchor Plate:

<https://amzn.to/3Ga1wcc>

TABLETOP MOUNT BOLT THROUGH TEMPLATE—NO BASE

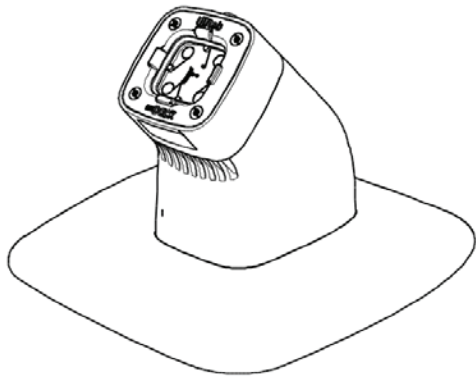


The TableTop can be mounted directly to any surface using four (4) M4 screws (not included) with appropriate length for your surface. Use the mounting pattern to the right for proper alignment.

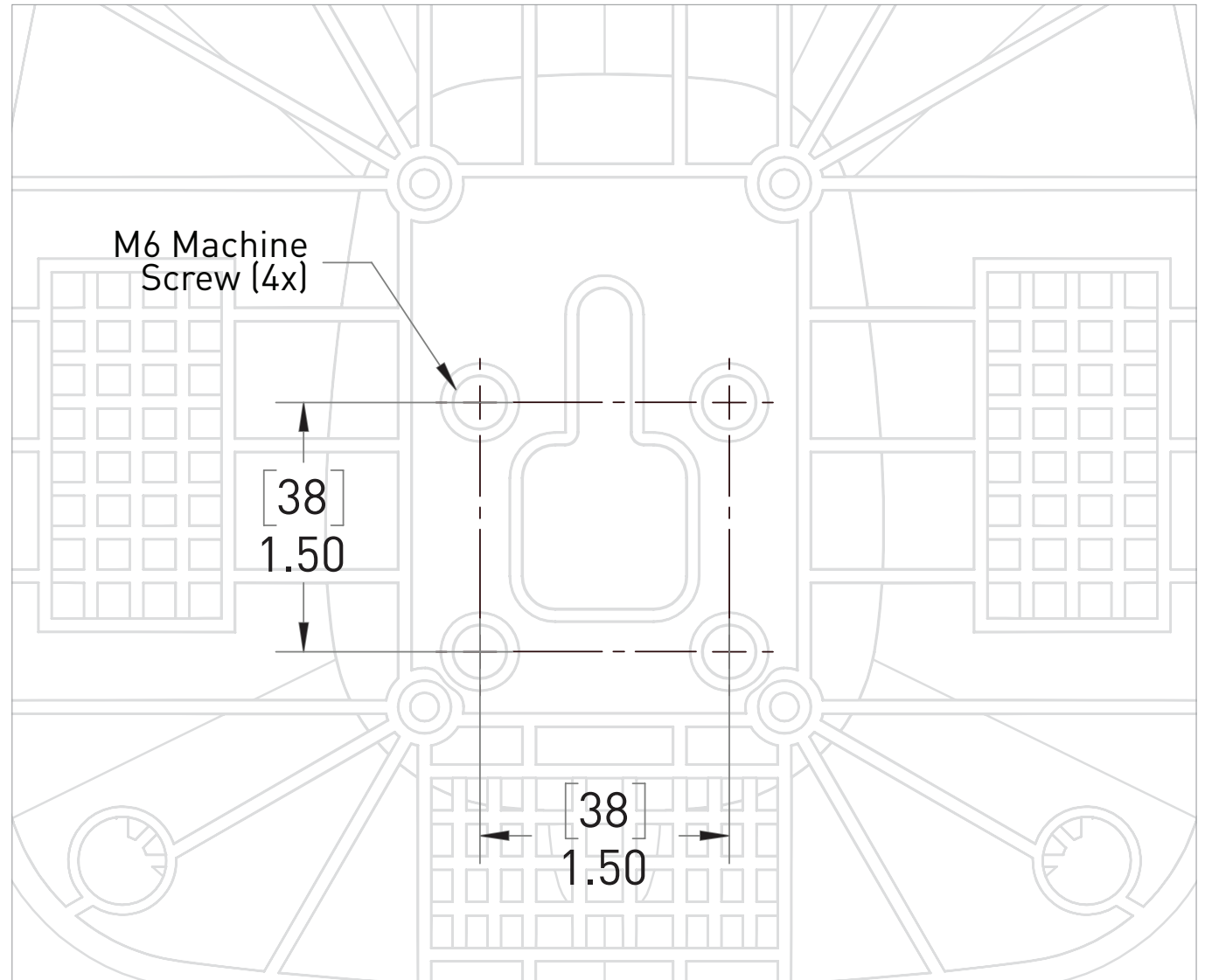


MOUNTING PATTERN SHOWN IN MILLIMETERS AND INCHES / 100% SCALE

TABLETOP MOUNT BOLT THROUGH TEMPLATE—WITH BASE



The TableTop with Base can be mounted directly to any surface using four (4) M6 screws (not included) with appropriate length for your surface. Use the mounting pattern to the right for proper alignment.



MOUNTING PATTERN SHOWN IN MILLIMETERS AND INCHES / 100% SCALE