

# Lilitab Surface Pro Fixed Mount

Assembly Instructions

v5.0

## TABLE OF CONTENTS

Assembly Preparation and Packing List .....	3
Features .....	4
Assembly Instructions .....	5
Kensington Lock .....	6
Bolt Down Installation .....	7



← Scan to watch  
assembly videos on  
our YouTube Channel!

### **GOT QUESTIONS? WE'RE HERE TO HELP!**

**EMAIL** [support@lilitab.com](mailto:support@lilitab.com)   **PHONE** 888.705.0190

## MOUNT ASSEMBLY PREPARATION

### FOR BASE PLATE INSTALLATION, YOU'LL NEED:

- ✓ Phillips screwdriver

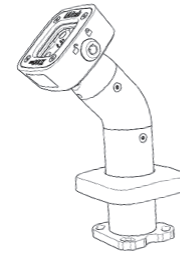
### FOR BOLT DOWN INSTALLATION, YOU'LL NEED:

- ✓ Powered drill/driver, preferably with impact action
- ✓ 4 x bolts or wood screws (m5, no.10, no.11, 3/16" or 13/64 diameter)

### TO SECURE YOUR LILITAB YOU WILL NEED:

- ✓ Kensington compatible cable lock
- ✓ Kensington Desk Mount Anchor
- ✓ Loradar Anchor Plate

## PACKING LIST



1 x Surface Pro Fixed Mount



2 x MagDOCK Keys



1 x Silver L Key

### INCLUDED IF YOU ORDERED FLOOR BASE



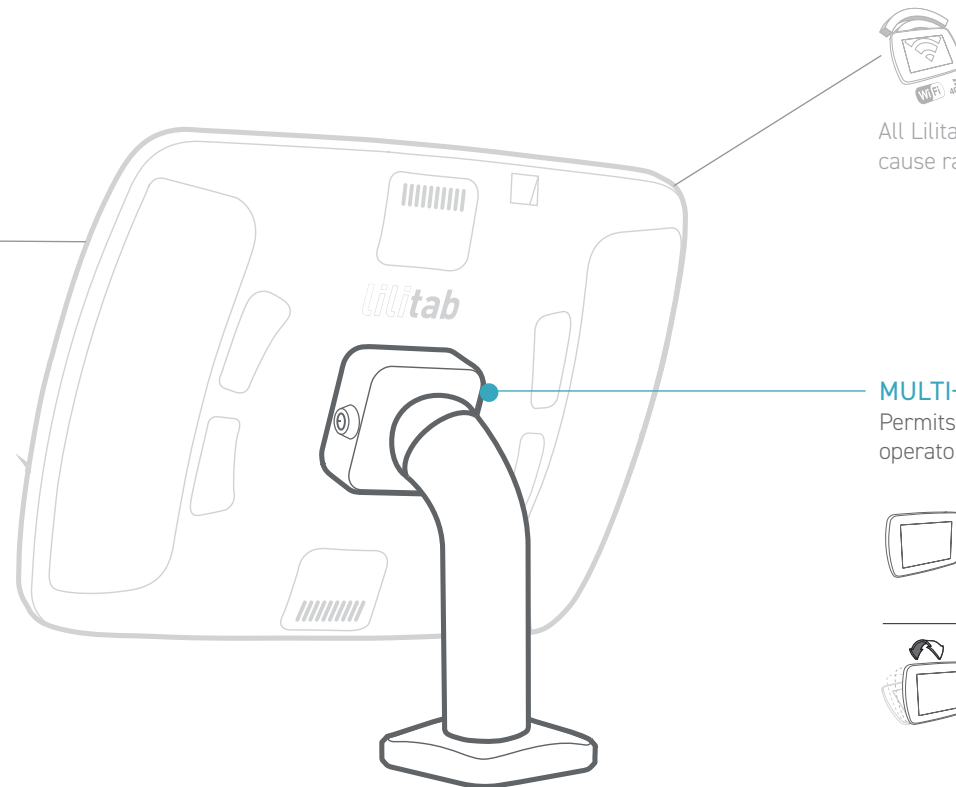
1 x Compact Base



4 x 1/4-28 x 0.375 Compact Base Screws

# FEATURES

*Head Unit shown for illustrative purposes only. Your Head Unit may vary depending upon your tablet choice. Please refer to your Head Unit owner manual for more details.*



All Lilitab Head Units do not cause radio interference.

## MULTI-POSITION NECK JOINT

Permits tilt up/down. It has two operator configurable modes:

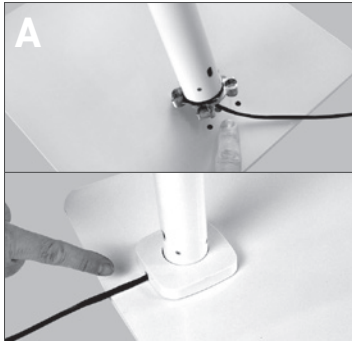


**Fixed.** The Head Unit can be set to any fixed angle between completely vertical and +/-22.5°



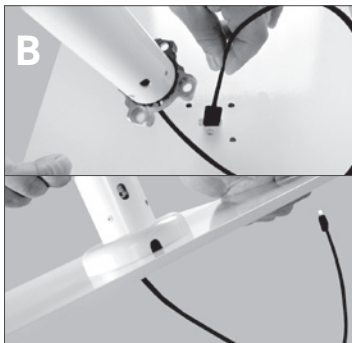
**Tilt.** Can be configured to allow the user to tilt the Head Unit.

# ASSEMBLY INSTRUCTIONS



- 1. Cable routing.** Choose your method of how you thread your charge cable that came with your kiosk:

**A:** Exit out the back of the base cover.



**B:** Exit through the compact base (no wire showing). This will require cable routing through your substrate.



- 2. Attach Compact Base.** Line up the bottom of the mount pole with the four (4) screw holes in the compact base. Attach using the **four (4) 1/4-28 x 0.375 Compact Base Screws.**



**NOTE:** You will need to hold the foot cover up and out of your way while bolting. If not using the compact base, attach to floor surface using template on page 6, and thread the cable through your substrate.



- 3. Foot Cover.** Slide the foot cover down the pole to cover the screws. Velcro will hold it in place once positioned.



- 4. Place your Head Unit onto the MagDOCK mount** in either landscape or portrait orientation. **Turn the key** to lock it in place.

**WARNING:** Not locking the MagDOCK will result in the unit falling off, possibly damaging the unit and/or the tablet. The lilitab Pro is designed to be operated with the lock closed.

Refer to your Lilitab Head Unit owner's manual for tablet installation instructions.



- 5. Tilt feature.** By default the Head Unit can be tilted by the user to suit. If you wish to disable tilt, position your head unit at the desired angle and tighten the bottom screw on the neck joint with the **Black L Key** provided.



## KENSINGTON LOCK



You can use a Kensington Desk Mount Anchor and the Loradar Anchor Plate with a Kensington Lockhead to secure your kiosk on a counter/surface.

### **PURCHASE OPTIONS FROM AMAZON**

**Kensington Slim Lockhead:**

<https://amzn.to/3lWAAod>

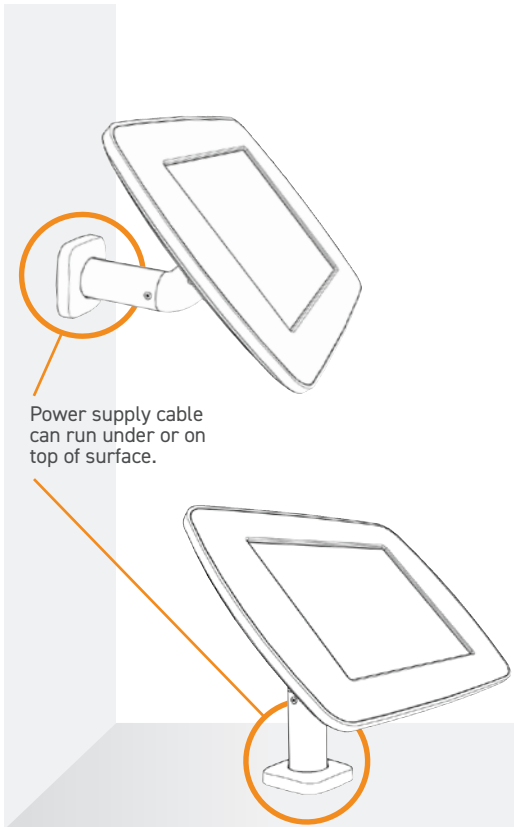
**Kensington Desk Mount Anchor:**

<https://amzn.to/3njssNU>

**Loradar Anchor Plate:**

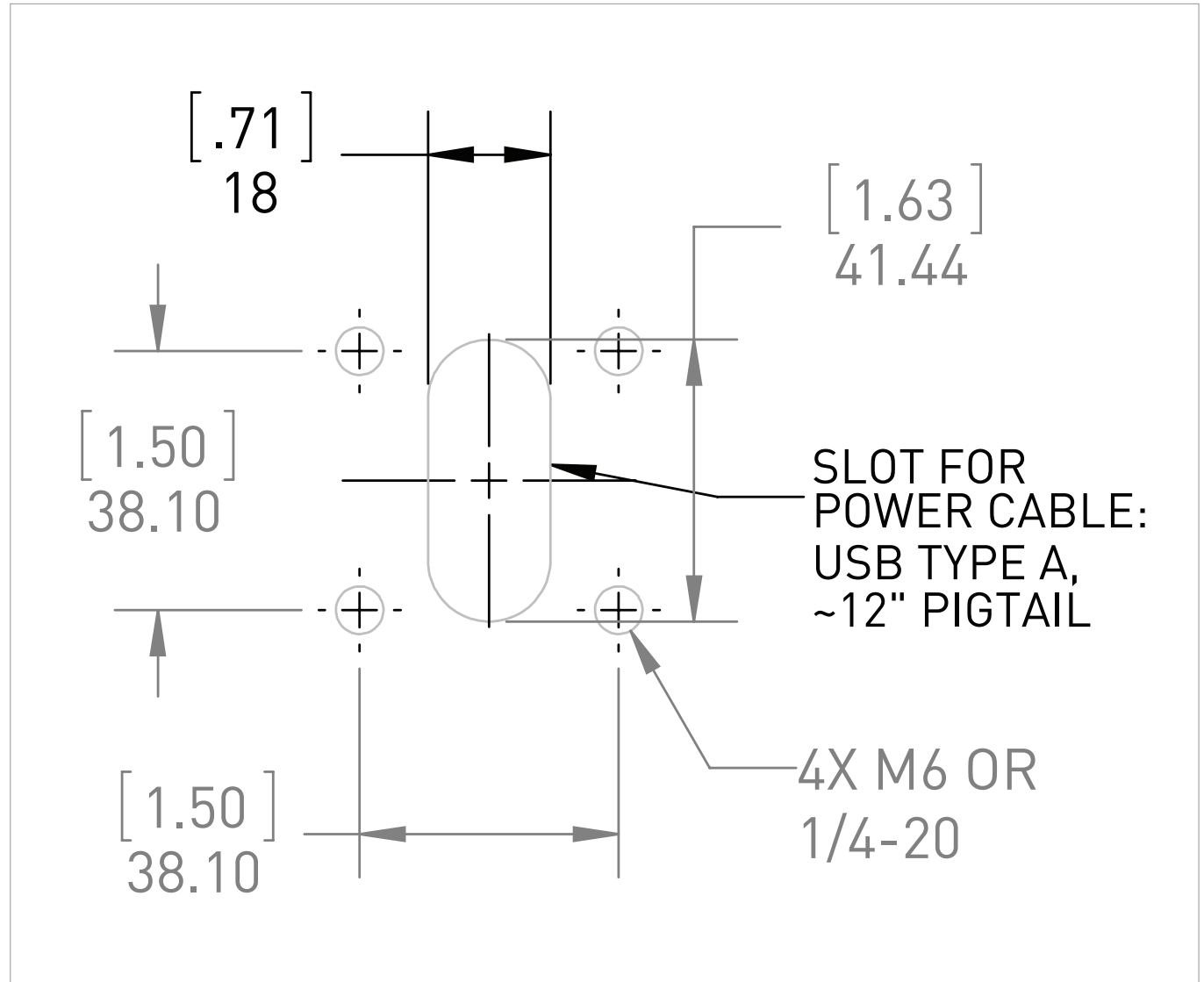
<https://amzn.to/3Ga1wcc>

# BOLT DOWN INSTALLATION



Power supply cable can run under or on top of surface.

The Lilitab Surface Pro Fixed Mount can be mounted horizontally or vertically to any hard surface using 2 x bolts, wood screws or other fastener suitable for your surface's substrate (m6, no.14 or 1/4" diameter). Use the mounting pattern to the right for proper alignment.



Mounting pattern (1:1)