

# Lilitab Floor Basic Mount

Assembly Instructions

v6.0

## TABLE OF CONTENTS

Assembly Preparation and Packing List . . . . .	3
Features . . . . .	4
Assembly Instructions . . . . .	5
Kensington Lock . . . . .	6
Bolt Down Installation . . . . .	7



**Scan to watch  
assembly videos on  
our YouTube Channel!**

**GOT QUESTIONS? WE'RE HERE TO HELP!**

**EMAIL** [support@lilitab.com](mailto:support@lilitab.com)   **PHONE** 888.705.0190

## MOUNT ASSEMBLY PREPARATION

### FOR BASE PLATE INSTALLATION, YOU'LL NEED:

- ✓ Phillips screwdriver

### FOR BOLT DOWN INSTALLATION, YOU'LL NEED:

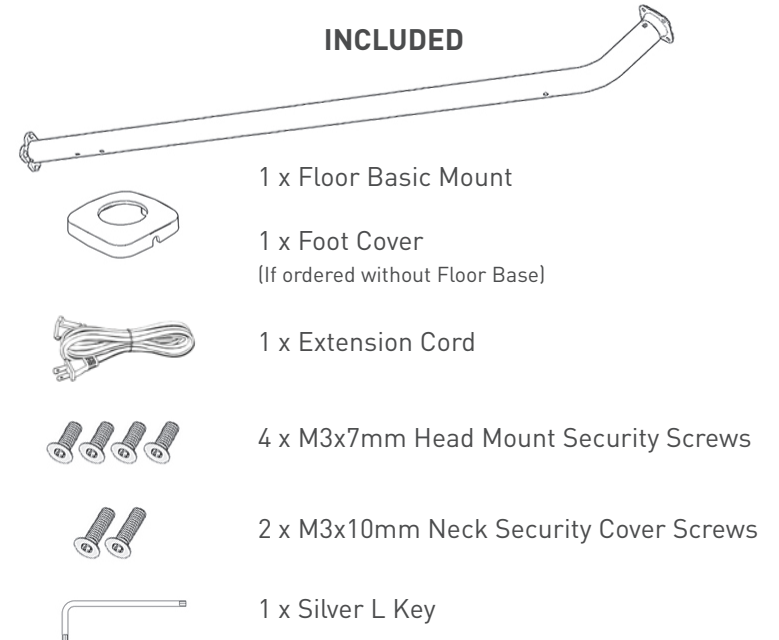
- ✓ Powered drill/driver, preferably with impact action
- ✓ Socket wrench with a neck of at least 5", this may require a socket extension
- ✓ 2 x bolts, wood screws or other fastener suitable for your floor's substrate (m6, no.14 or 1/4" diameter)

### TO SECURE YOUR LILITAB YOU WILL NEED:

- ✓ Kensington compatible cable lock

## PACKING LIST

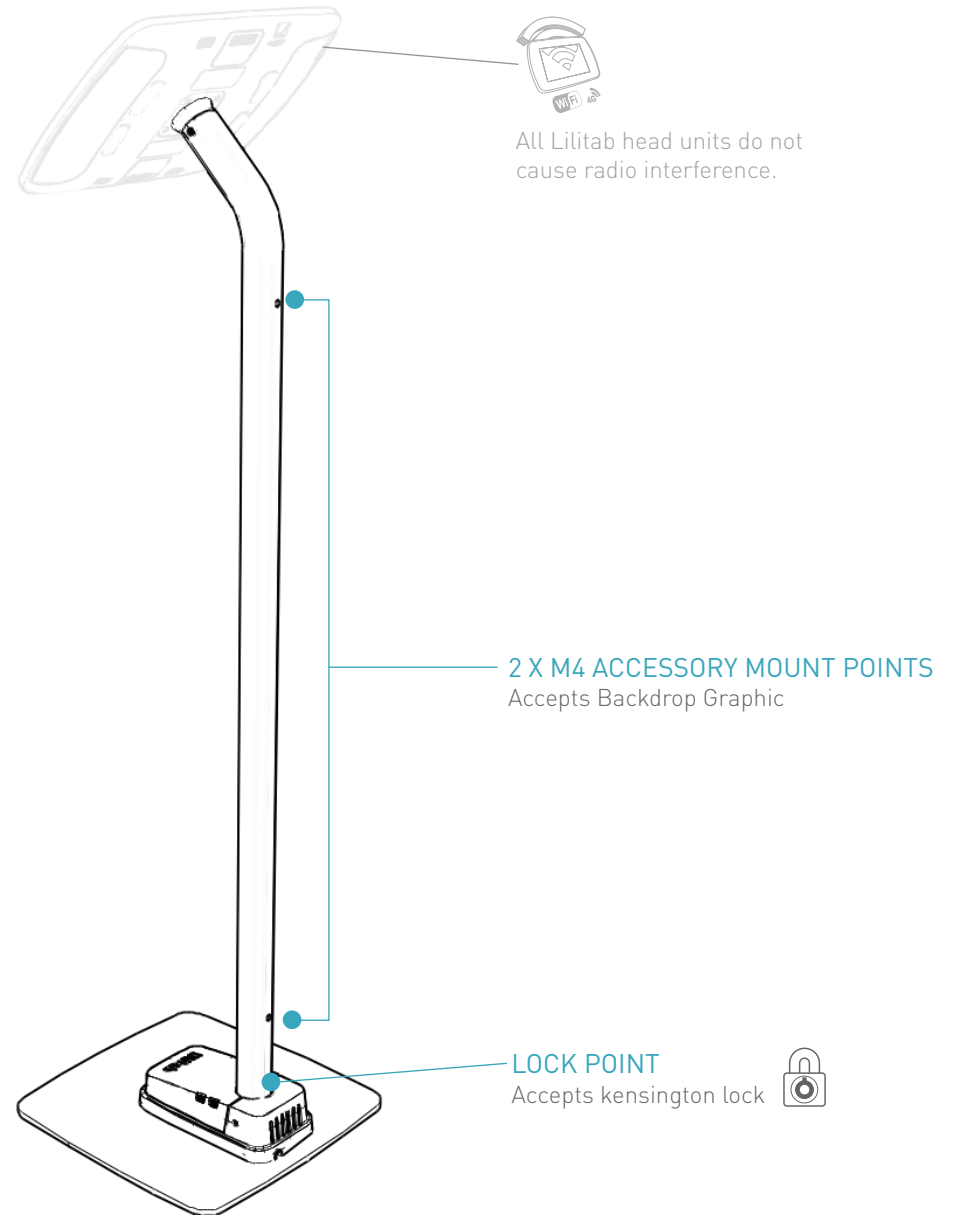
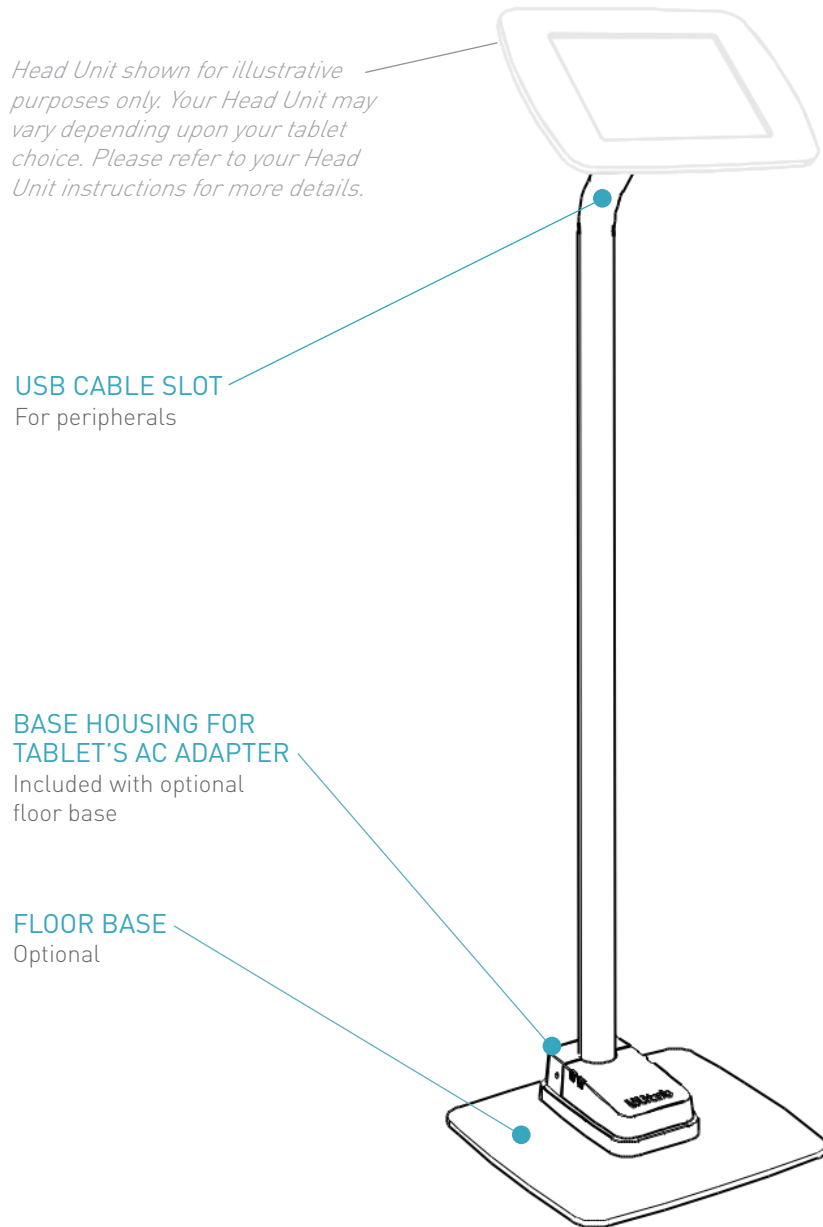
### INCLUDED



### INCLUDED IF YOU ORDERED FLOOR BASE



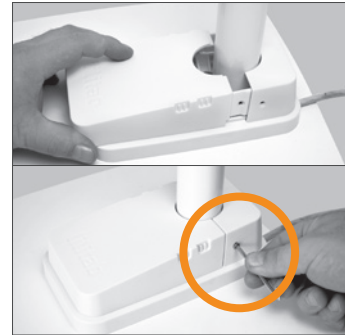
# FEATURES



# ASSEMBLY INSTRUCTIONS



- 1. Thread the charge cable** that came with your kiosk through the top of the mount pole. Insert the mount pole into the base housing on an angle to clear the welded flange, as shown.



- 4. Attach the base housing cover** by sliding it into place. Secure it using the **two (2) M3x6mm base security screws** and **silver L key**.



- 2. Attach Floor Base.** Line up the bottom of the mount pole with the four screw holes. Using the **two (2) M6x12mm short base screws**, secure through the two rear-most openings closest to the cable egress slot.



**NOTE:** You will need to hold the base housing up and out of your way while bolting. If not using the floor base, attach to floor surface using template on page 6, and thread the cable through your substrate.



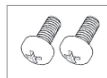
- 5. Attach the Head Unit** using the **four (4) M3x7mm head mount security screws** and **silver L key**.



Refer to your Lilitab Head Unit owner's manual for tablet installation instructions.



- 3. Connect and position cables:**
  1. Connect the charge cable to the tablet's AC adapter. Then connect the adapter to the extension cord.
  2. Position both cables underneath the base housing's two plastic tabs. The extension cord should exit the rear of the housing.
  3. Screw down the base housing using the **two (2) M6x14mm long base screws**.



(iPad AC adapter shown, your AC Adapter will vary depending on your tablet.)



- 6. Neck Security Cover.** After you attach the Head Unit, slide the security cover up and secure in place using the **two (2) M3x10mm security cover screws** and **silver L key**.



**NOTE:** The security cover screws should be oriented such that they are parallel to the long edge of the Head Unit, as shown. If they're not, simply rotate the security cover.

## KENSINGTON LOCK



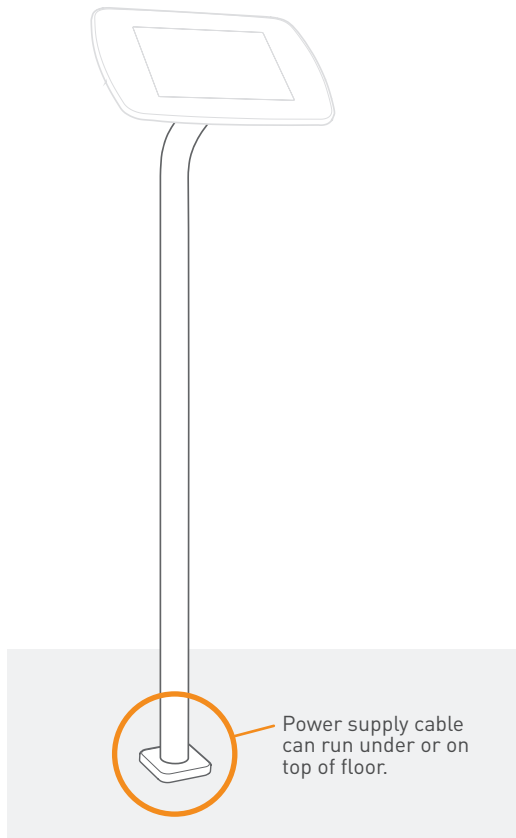
You can use the lock-point at the bottom rear of the pole to attach a Kensington Lock to secure your kiosk to a nearby stationary object.

### PURCHASE OPTIONS

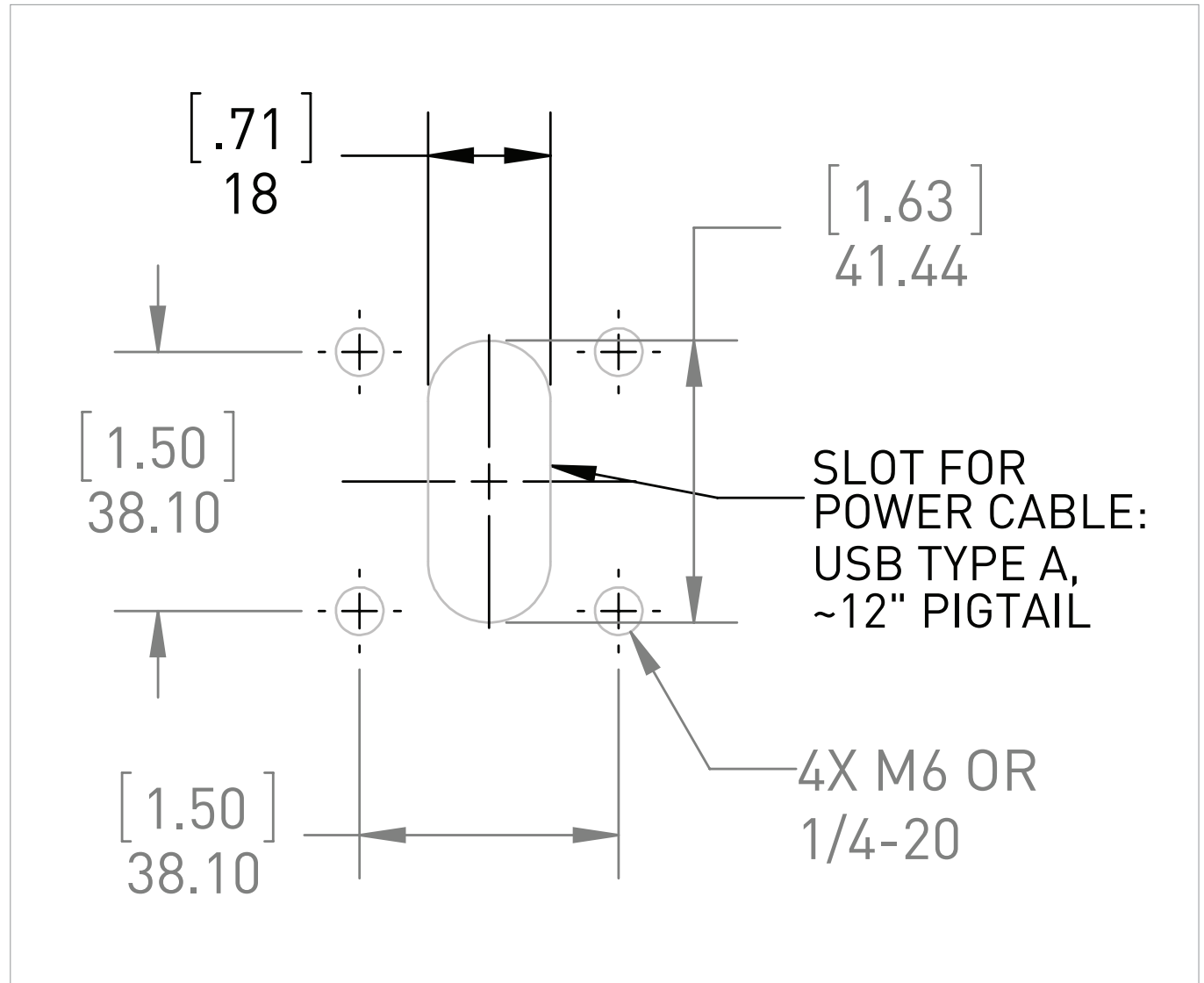
**Kensington Store:**  
<https://bit.ly/3lVTFHe>

**Amazon:**  
<https://amzn.to/3lWAAod>

# BOLT DOWN INSTALLATION



The Lilitab Floor Basic can be mounted directly to any hard floor surface using 2 x bolts, wood screws or other fastener suitable for your floor's substrate (M6, no.14 or 1/4" diameter). Use the mounting pattern to the right for proper alignment.



Mounting pattern