

Lilitab Flip Pro Mount

Assembly Instructions

v2.0

TABLE OF CONTENTS

Assembly Preparation and Packing List	2
Features	3
Assembly Instructions	4
Kensington Lock	5
Bolt Down Installation	6

FOR BASE PLATE INSTALLATION, YOU'LL NEED:

- ✓ Phillips screwdriver

FOR BOLT DOWN INSTALLATION, YOU'LL NEED:

- ✓ Powered drill/driver, preferably with impact action
- ✓ 4 x bolts or wood screws (m5, no.10, no.11, 3/16" or 13/64 diameter)

TO SECURE YOUR LILITAB YOU WILL NEED:

- ✓ Kensington compatible cable lock
- ✓ Kensington Desk Mount Anchor
- ✓ Loradar Anchor Plate



← Scan to watch assembly videos on our YouTube Channel!

GOT QUESTIONS? WE'RE HERE TO HELP!

EMAIL support@lilitab.com **PHONE** 888.705.0190

PACKING LIST

INCLUDED



1 x Flip Pro Mount



2 x MagDOCK Keys

INCLUDED IF YOU ORDERED COMPACT BASE



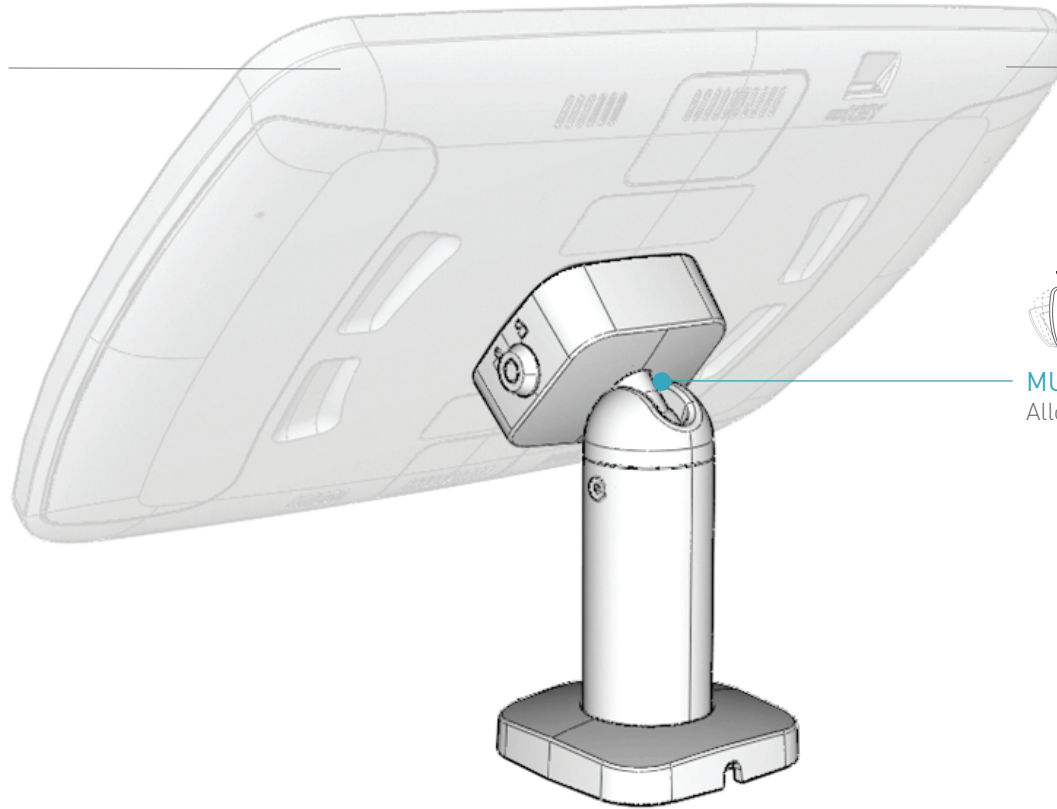
1 x Compact Base



4 x 1/4-28 x 0.375 Compact Base Screws

FEATURES

Head Unit shown for illustrative purposes only. Your Head Unit may vary depending upon your tablet choice. Please refer to your Head Unit owner manual for more details.

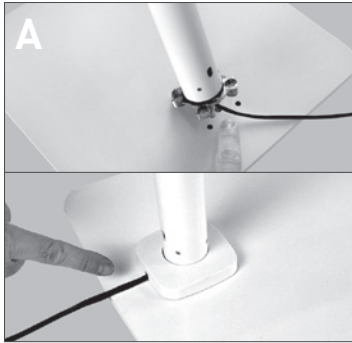


All Lilitab Head Units do not cause radio interference.



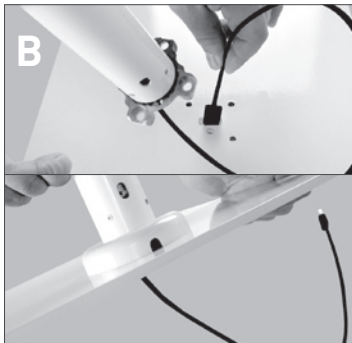
MULTI-POSITION NECK JOINT
Allows the user to tilt the Head Unit.

ASSEMBLY INSTRUCTIONS



1. Cable routing. Choose your method of how you thread your charge cable that came with your kiosk:

A: Exit out the back of the base cover.



B: Exit through the compact base (no wire showing). This will require cable routing through your substrate.



2. Attach Compact Base. Line up the bottom of the mount pole with the four screw holes in the base plate. Secure together using the **four (4) 1/4-28 x 0.375 Compact Base Screws.**



NOTE: You may need to hold the foot cover up and out of your way while securing. If not using the compact base, attach to stable surface using template on page 6, and thread the cable through your substrate.



3. Foot Cover. Slide the foot cover down the mount pole to cover the screws. Velcro will hold it in place once positioned.



4. Place your Head Unit onto the MagDOCK in either landscape or portrait orientation. **Turn the key** to lock it in place.

WARNING: Not locking the MagDOCK will result in the unit falling off, possibly damaging the unit and/or the tablet. The Lilitab Pro is designed to be operated with the lock closed.

Refer to your Lilitab Head owner's manual for tablet installation instructions.

KENSINGTON LOCK



You can use a Kensington Desk Mount Anchor and the Loradar Anchor Plate with a Kensington Lockhead to secure your kiosk on a counter/surface.

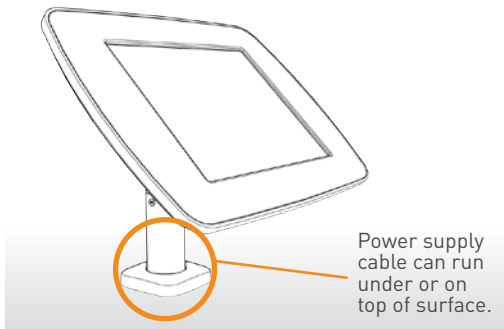
PURCHASE OPTIONS FROM AMAZON

Kensington Slim Lockhead:
<https://amzn.to/3lWAAod>

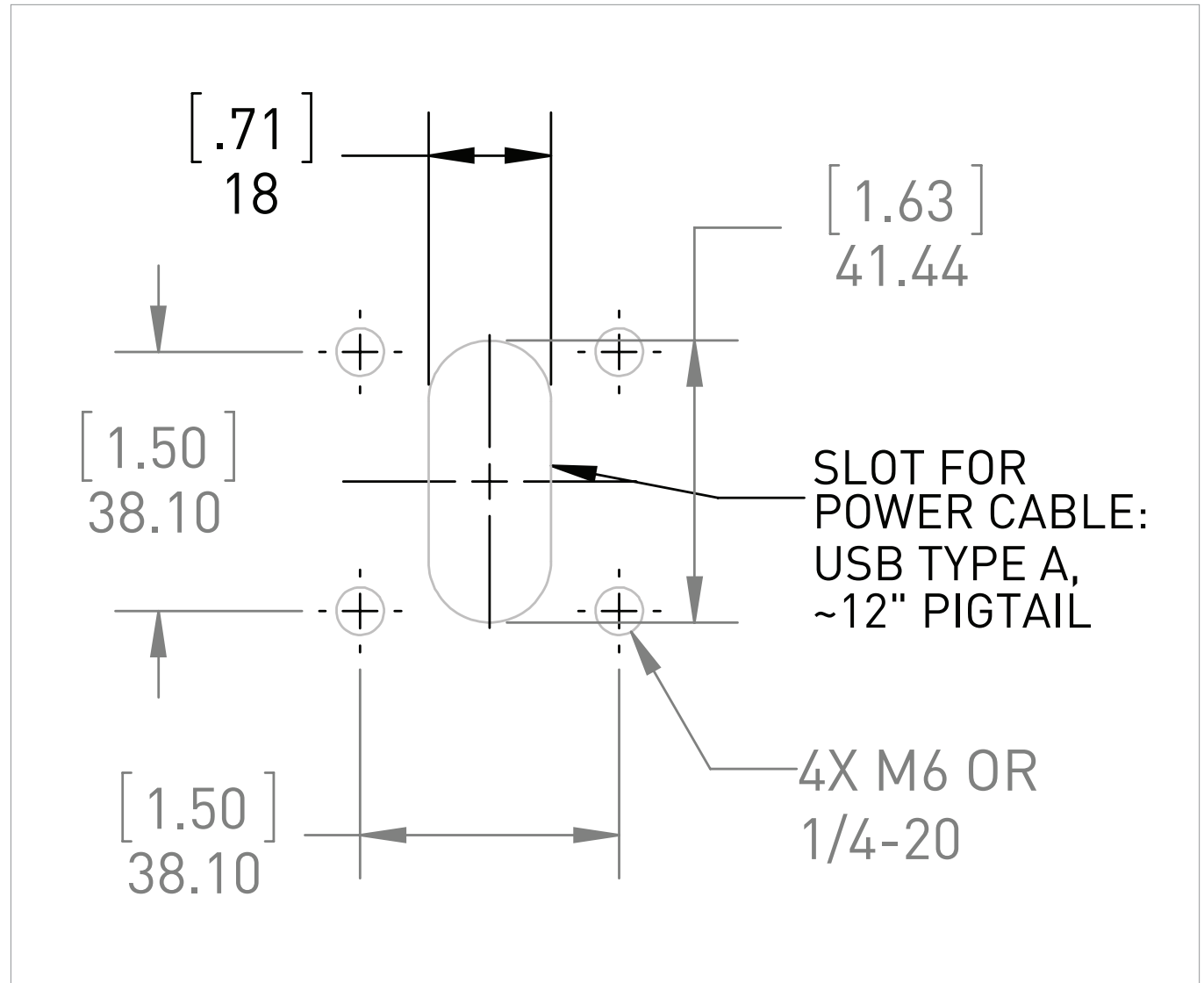
Kensington Desk Mount Anchor:
<https://amzn.to/3njssNU>

Loradar Anchor Plate:
<https://amzn.to/3Ga1wcc>

BOLT DOWN INSTALLATION



The Lilitab Surface Basic can be mounted to any hard surface using 2 x bolts, wood screws or other fastener suitable for your surface's substrate (m6, no.14 or 1/4" diameter). Use the mounting pattern to the right for proper alignment.



Mounting pattern