

# lilitab Flip Pro Mount

Assembly Instructions

v1.0

## TABLE OF CONTENTS

Assembly Preparation and Packing List . . . . .	3
Features . . . . .	4
Assembly Instructions . . . . .	5
Bolt Down Installation . . . . .	6

**GOT QUESTIONS? WE'RE HERE TO HELP!**

**EMAIL** [support@lilitab.com](mailto:support@lilitab.com)   **PHONE** 888.705.0190

## MOUNT ASSEMBLY PREPARATION

### FOR BASE PLATE INSTALLATION, YOU'LL NEED:

- ✓ Phillips screwdriver

### FOR BOLT DOWN INSTALLATION, YOU'LL NEED:

- ✓ Powered drill/driver, preferably with impact action
- ✓ 4 x bolts or wood screws (m5, no.10, no.11, 3/16" or 13/64 diameter)

## PACKING LIST

### INCLUDED



1 x Mount Post



2 x MagDOCK Keys

### INCLUDED IF YOU ORDERED COMPACT BASE PLATE



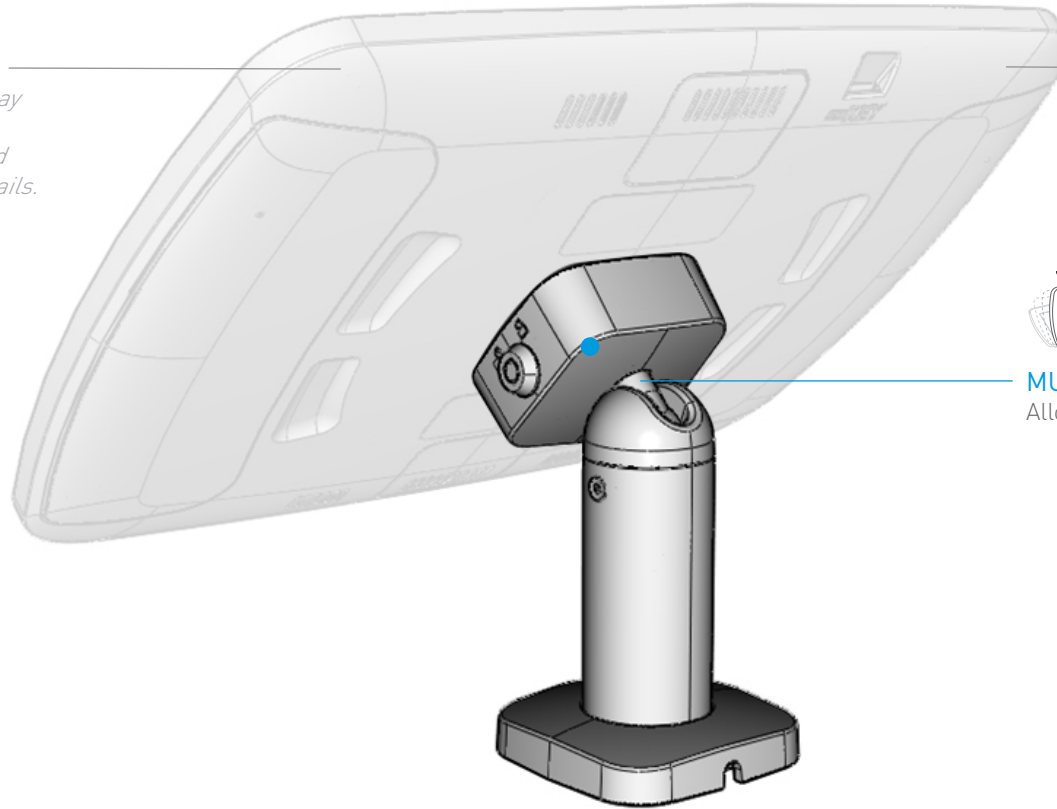
1 x Compact Base Plate



4 x 1/4-28 x 0.375 Compact Base Screws

# FEATURES

*Head unit shown for illustrative purposes only. Your head unit may vary depending upon your tablet choice. Please refer to your head unit owner manual for more details.*



All lilitab head units do not cause radio interference.



**MULTI-POSITION NECK JOINT**  
Allows the user to tilt the head unit.

# ASSEMBLY INSTRUCTIONS



1. **Attach base plate.** Line up the bottom of the lilitab mount with the four screw holes in the base plate. Secure together using the **four (4) 1/4-28 x 0.375 Compact Base Screws**.



**NOTE:** You may need to hold the foot cover up and out of your way while securing.



2. **Install the foot cover** by sliding the it gently down to pole to cover the screws (velcro will hold it in place once positioned).

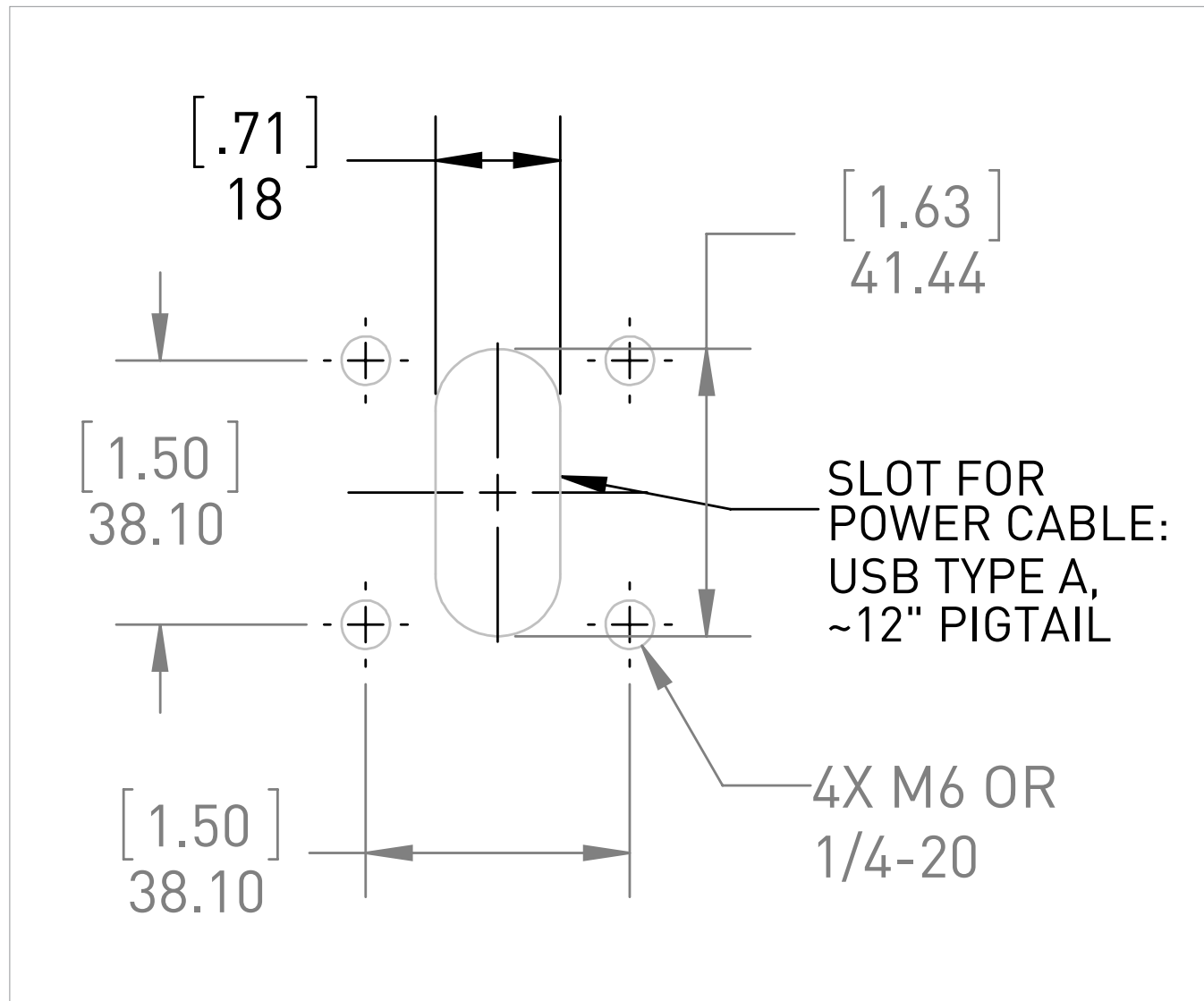


3. **Place your head unit onto the MagDOCK mount** in either landscape or portrait orientation. **Turn the key** to lock it in place.

**WARNING:** Not locking the MagDOCK will result in the unit falling off, possibly damaging the unit and/or the tablet. The lilitab Pro is designed to be operated with the lock closed.

Refer to your lilitab Head owner's manual for tablet installation instructions.

## BOLT DOWN INSTALLATION



Mounting pattern