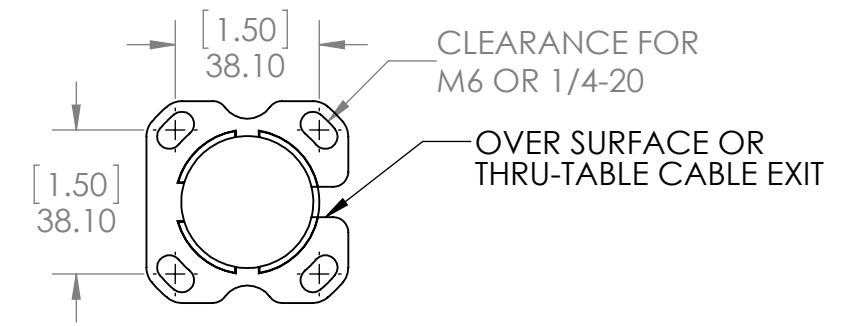


**UNIT MAY BE MOUNTED TO  
 HORIZONTAL SURFACE (SHOWN)  
 OR VERTICAL SURFACE**

**LILITAB SURFACE BASIC**  
**OVERALL DIMENSIONS AND MOUNTING**



**MOUNTING PATTERN**