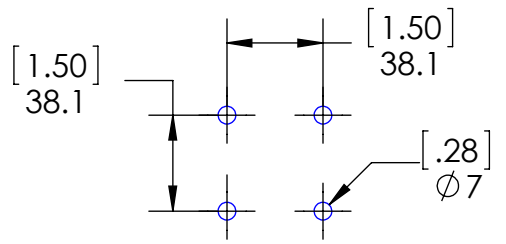
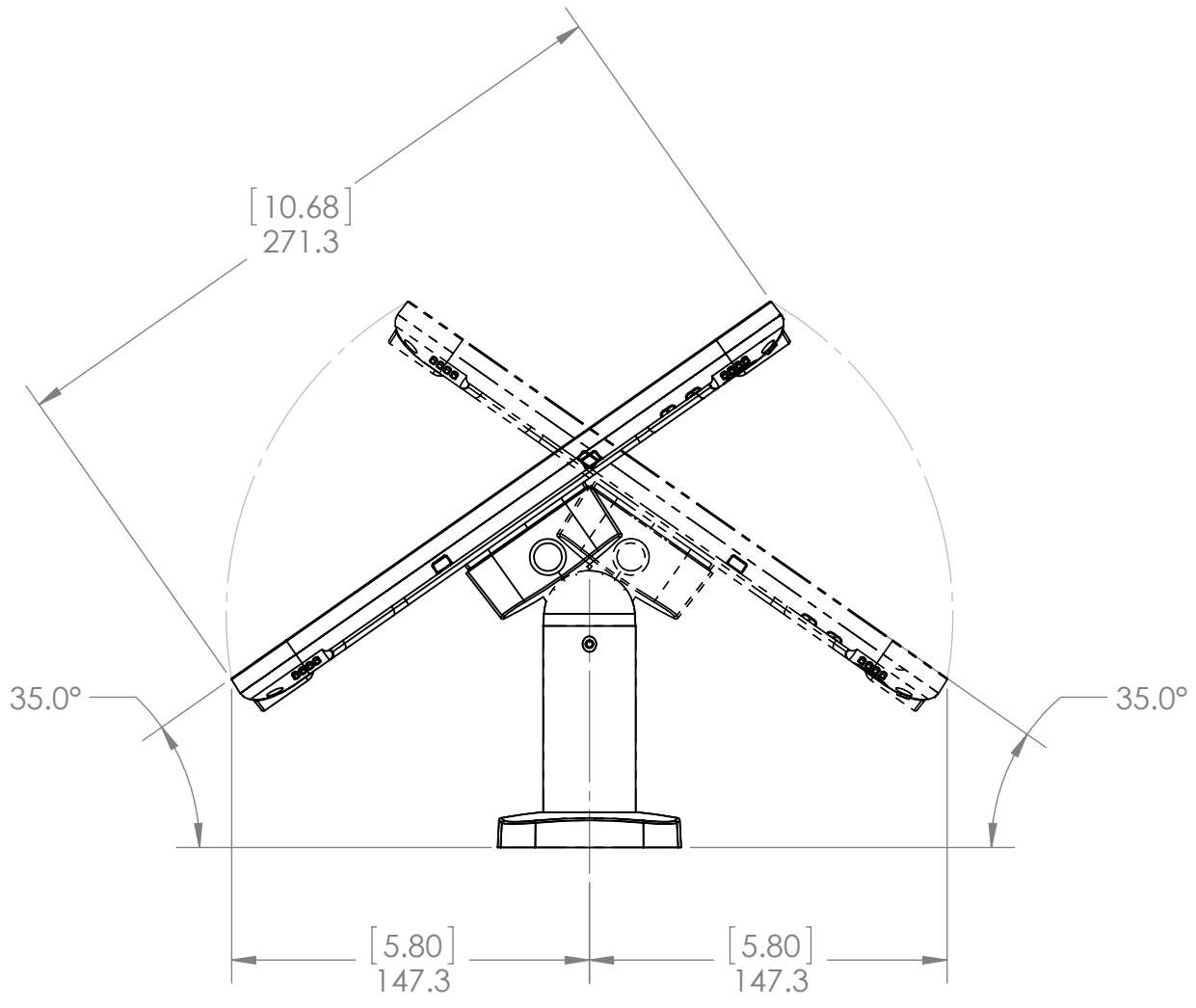
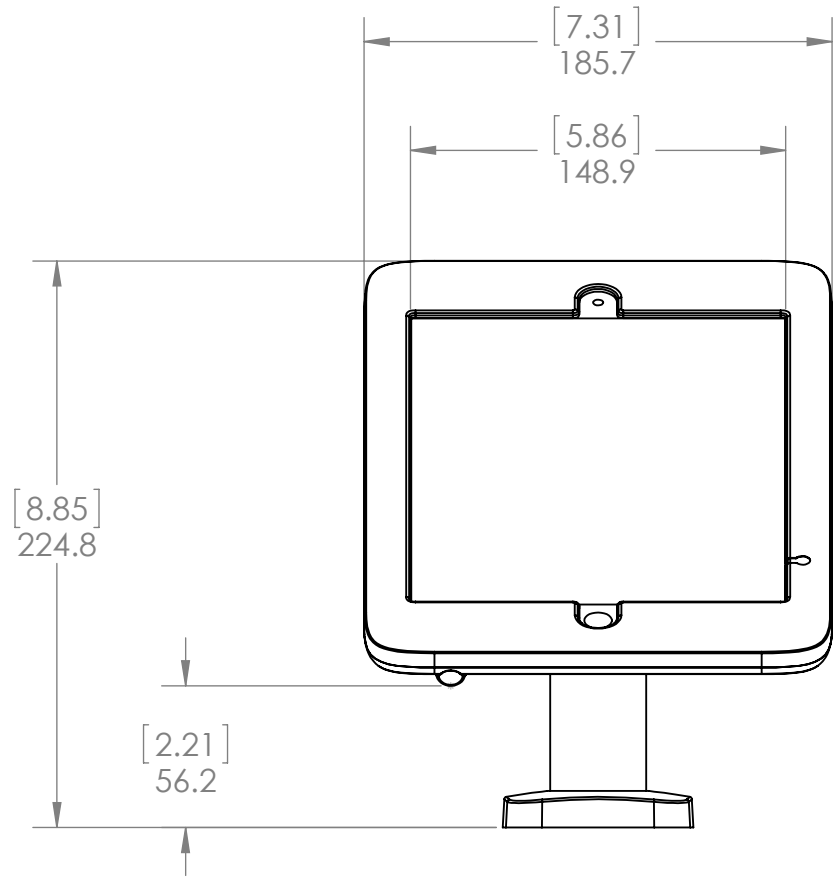


**MOUNTING PATTERN**  
4X 1/4-20 BOLT, THRU

<p>THIRD ANGLE PROJECTION</p>	<p><b>lilitab</b> 39 LARKSPUR STREET, SUITE B, SAN RAFAEL, CA 94901</p>			
	<p>DESCRIPTION: <b>LILITAB H PRO WITH SURFACE FLIP MOUNT</b></p>			
<p>THIS DOCUMENT AND THE TECHNICAL DATA DISCLOSED ARE PROPRIETARY AND SHALL NOT BE USED, DUPLICATED, RELEASED OR DISCLOSED WITHOUT EXPRESSED WRITTEN PERMISSION.</p> <p>DO NOT SCALE DRAWING</p>	<p>DRAWING NUMBER: <b>H25HUP, G25PM-SM-FLIP</b></p>		<p>REVISION: <b>A0</b></p>	
	<p>UNITS: <b>MM</b></p>	<p>SIZE: <b>B</b></p>	<p>SCALE: <b>1:3</b></p>	<p>SHEET: <b>1 OF 2</b></p>



**MOUNTING PATTERN**  
4X 1/4-20 BOLT, THRU

THIRD ANGLE PROJECTION 		<b>lilitab</b> 39 LARKSPUR STREET, SUITE B, SAN RAFAEL, CA 94901	
THIS DOCUMENT AND THE TECHNICAL DATA DISCLOSED ARE PROPRIETARY AND SHALL NOT BE USED, DUPLICATED, RELEASED OR DISCLOSED WITHOUT EXPRESSED WRITTEN PERMISSION.		DESCRIPTION: <b>LILITAB H PRO WITH SURFACE FLIP MOUNT</b>	
		DRAWING NUMBER: <b>H25HUP, G25PM-SM-FLIP</b>	REVISION: <b>A0</b>
DO NOT SCALE DRAWING		UNITS: <b>MM</b>	SIZE: <b>B</b>
		SCALE: <b>1:3</b>	SHEET: <b>2 OF 2</b>