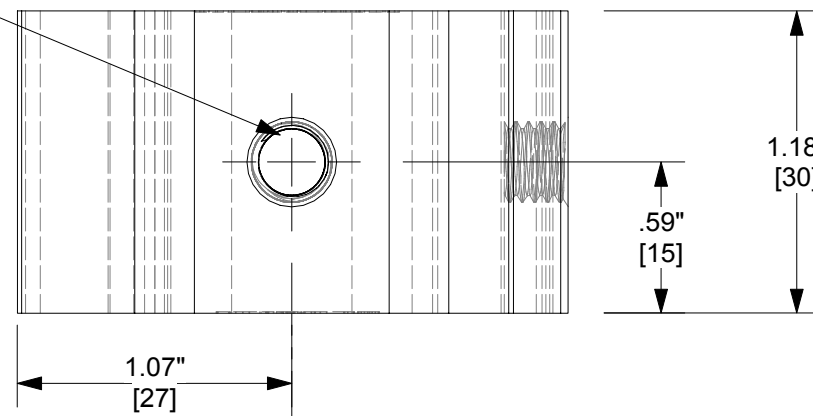


S-5-K GRIP MINI

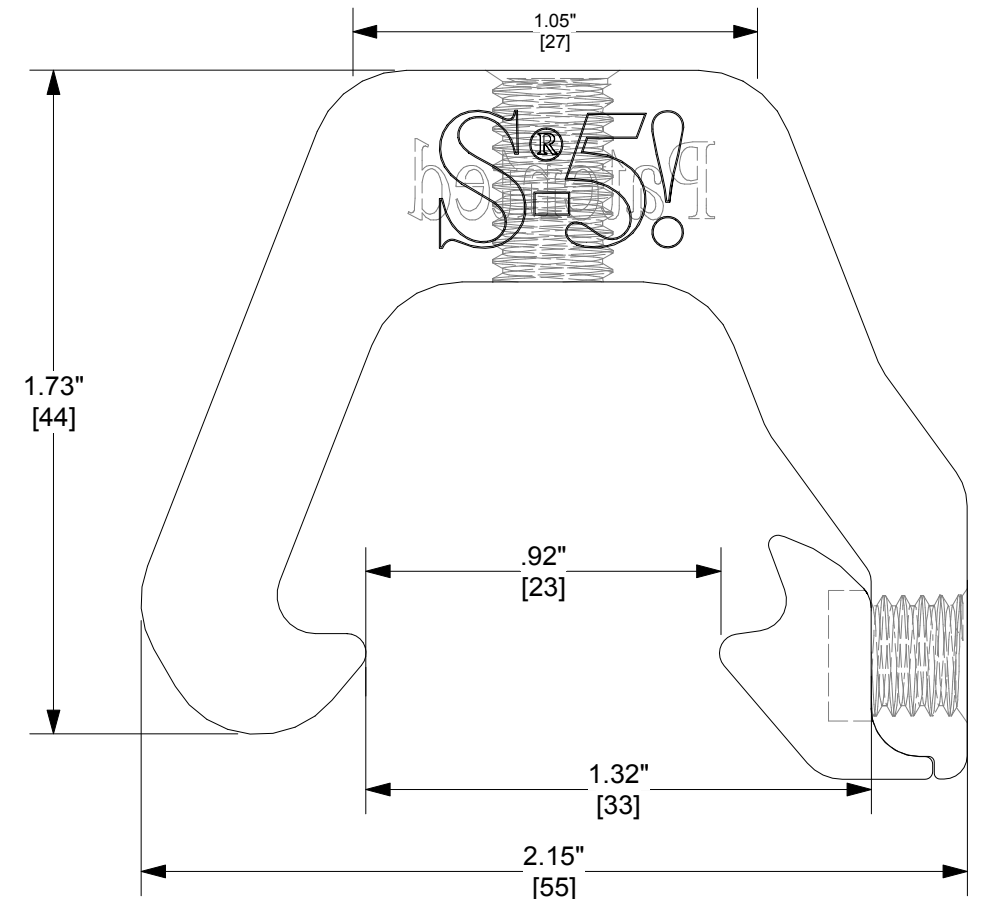
S-5-GXM 50 (INSERT)

M8-1.25 THREADED HOLE

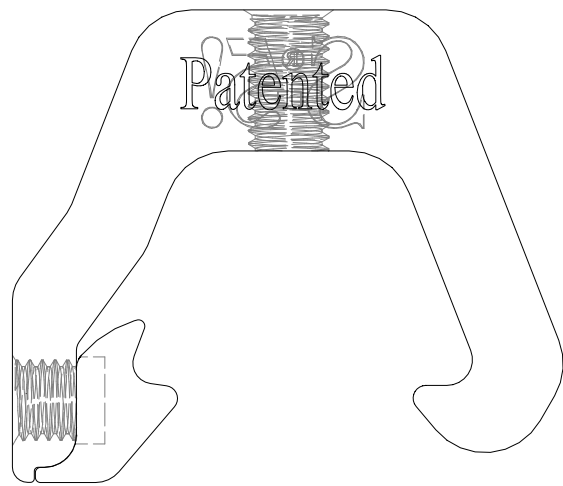
TOP



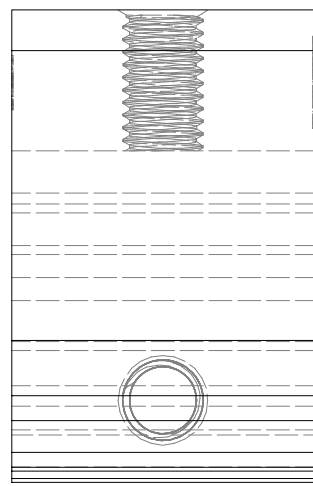
1.73" [44]



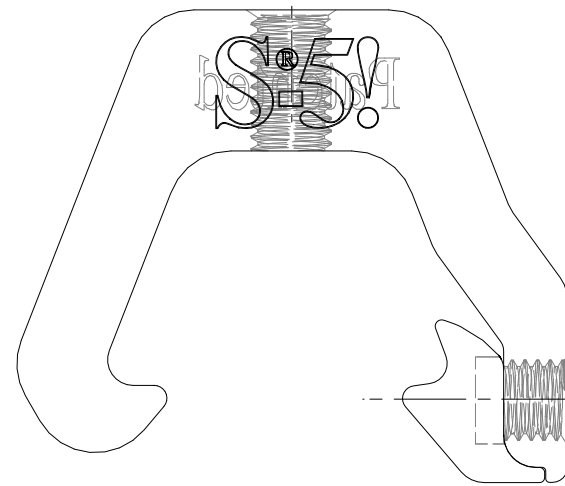
SCALE: 2X



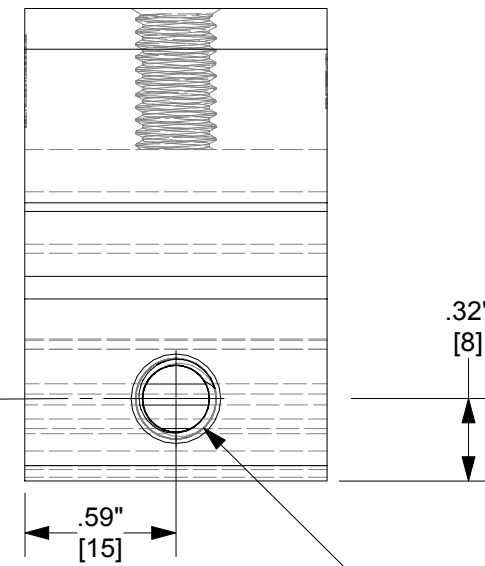
BACK



LEFT



FRONT

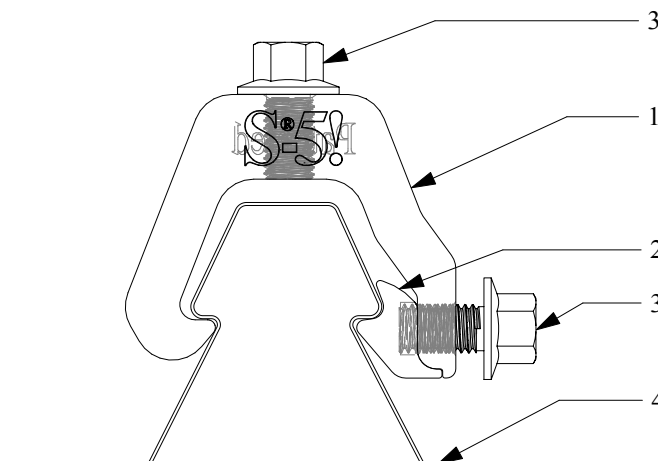
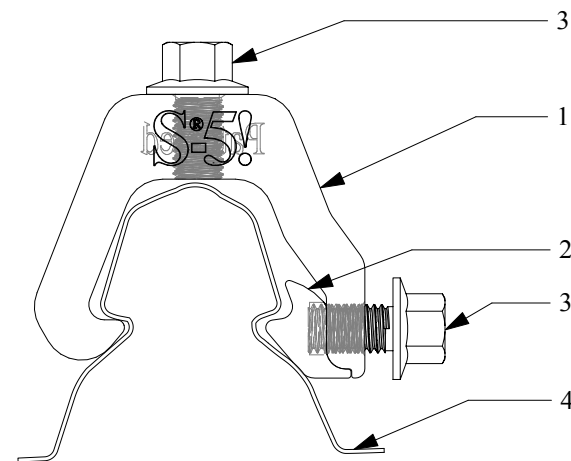


RIGHT

M8-1.25 THREADED HOLE

Notes

1. S-5-K GRIP MINI
2. S-5-GXM 50 (700)
3. M8-1.25 X 16MM HEX FLANGE BOLT
4. EXAMPLE PROFILE



FOR STANDING SEAM SPECIFIC MECHANICAL LOAD TEST INFORMATION AND CLAMP INSTALLATION INFORMATION PLEASE VISIT: WWW.S-5.COM

MATERIAL: 6000 SERIES AL		METAL ROOF INNOVATIONS, LTD. 8655 TABLE BUTTE RD COLORADO SPRINGS, CO 80908 719-495-0518 719-495-0045 (FAX)	
EST ASSEMBLY WEIGHT :			
SUPPLIED HARDWARE: (2) M8-1.25 X 16MM (13MM HEX) 18/8 SS	TITLE: S-5-K GRIP MINI WITH GXM 50 INSERT		
SCALE: 1:0.75	DRAWING NO. KG47-A 2013	DRAWN BY MS	DATE 02/15/2013
OTHER:	S-5!® PRODUCTS ARE PROTECTED BY MULTIPLE U.S. PATENTS INCLUDING 5,228,248, 5,983,588 AND 6,164,033 (OTHERS ISSUED AND PENDING). EUROPEAN PATENTS ARE ALSO APPLIED FOR AND PENDING UNDER THE PATENT COOPERATION TREATY WITH DIVISIONAL FILING RIGHTS RETAINED. METAL ROOF INNOVATIONS, LTD. (LICENSOR OF S-5!® TECHNOLOGY) AGGRESSIVELY PROSECUTES PATENT INFRINGEMENT.		