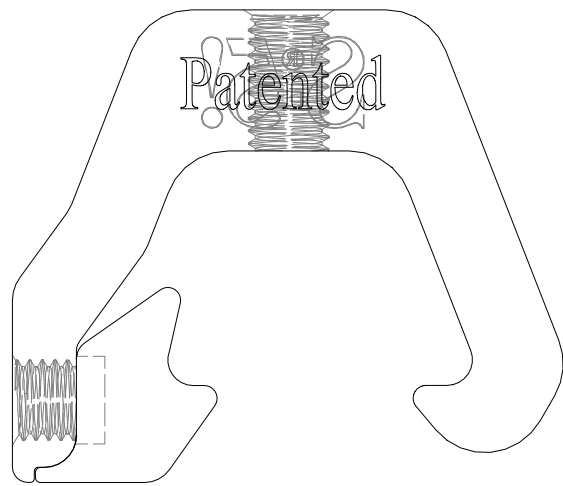
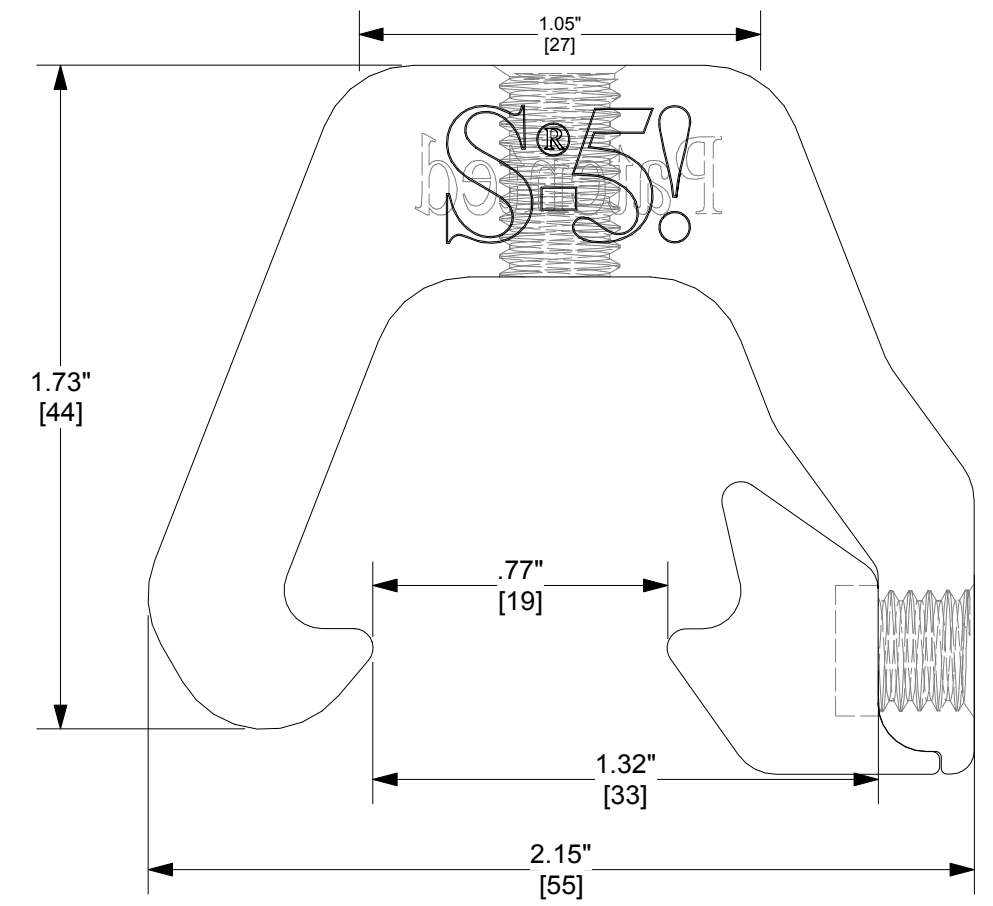
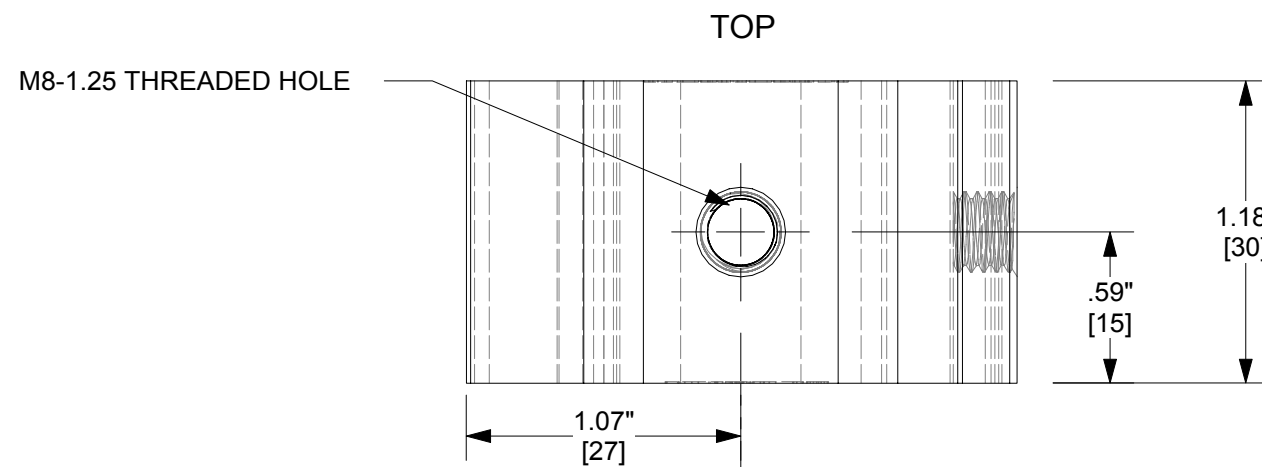
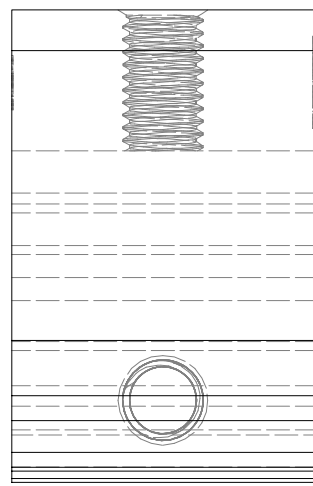


S-5-K GRIP MINI

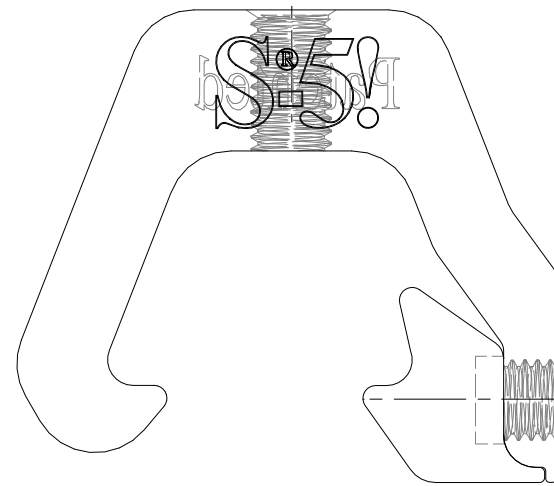
S-5-GXM 10 (INSERT)



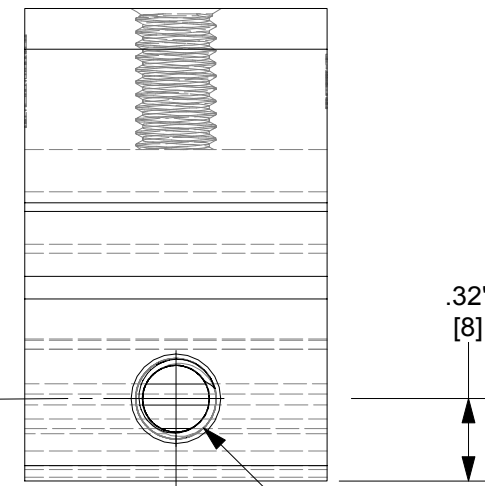
BACK



LEFT



FRONT



RIGHT

M8-1.25 THREADED HOLE

FOR STANDING SEAM SPECIFIC MECHANICAL LOAD TEST INFORMATION AND CLAMP INSTALLATION INFORMATION PLEASE VISIT: WWW.S-5.COM

| | | | |
|--|---|---|--------------------|
| MATERIAL: 6000 SERIES AL |  The Right Way! | METAL ROOF INNOVATIONS, LTD. 8655 TABLE BUTTE RD COLORADO SPRINGS, CO 80908 719-495-0518 719-495-0045 (FAX) | |
| EST ASSEMBLY WEIGHT : | | | |
| SUPPLIED HARDWARE: <small>(2) M8-1.25 X 16MM (13MM HEX) 18/8 SS</small> | TITLE S-5-K GRIP MINI WITH GXM 10 INSERT | | |
| SCALE: 1:0.75 | DRAWING NO. KG47-A 2013 | DRAWN BY MS | DATE 02/15/2013 |
| OTHER: | <small>S-5!® PRODUCTS ARE PROTECTED BY MULTIPLE U.S. PATENTS INCLUDING 5,228,248, 5,983,588 AND 6,164,033 (OTHERS ISSUED AND PENDING). EUROPEAN PATENTS ARE ALSO APPLIED FOR AND PENDING UNDER THE PATENT COOPERATION TREATY WITH DIVISIONAL FILING RIGHTS RETAINED. METAL ROOF INNOVATIONS, LTD. (LICENSOR OF S-5!® TECHNOLOGY) AGGRESSIVELY PROSECUTES PATENT INFRINGEMENT.</small> | | |

Notes

1. S-5-K GRIP MINI
2. S-5-GXM 10 (406)
3. M8-1.25 X 16MM HEX FLANGE BOLT
4. EXAMPLE PROFILE

