



scenePOD™

All upTOP™ racks ship with the option of installing our 3D printed scenePOD™ into pre-machined areas in the armorTEK™ of your rack.

The tabs are left in the rack bodies during manufacturing as they are used for Part identification and color coding indexes for our build process. You will **NEED TO REMOVE THE TABS** prior to installing your scenePODS™.

#### TOOLS REQUIRED:

2.5mm Allen wrench

3mm Allen wrench

Cutting pliers and/or hand file (optional is a hacksaw blade and a steady hand)

Cordless Drill

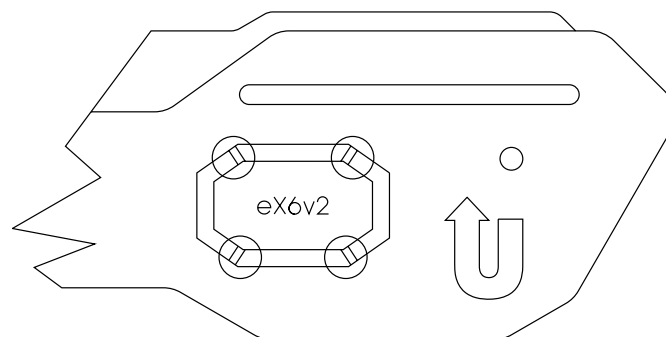
Fine Tip Sharpie™ Marker

9/64" DRILL BIT

**NOTE: *The small screws shipped with your scenePOD™ are for attaching the pod to the rack. The Baja Designs™ Rock Lights ship with their own hardware of which you will discard the LONGER screws and use the SHORTER screws to mount the Rock Light into the Pod.***

#### STEP 1

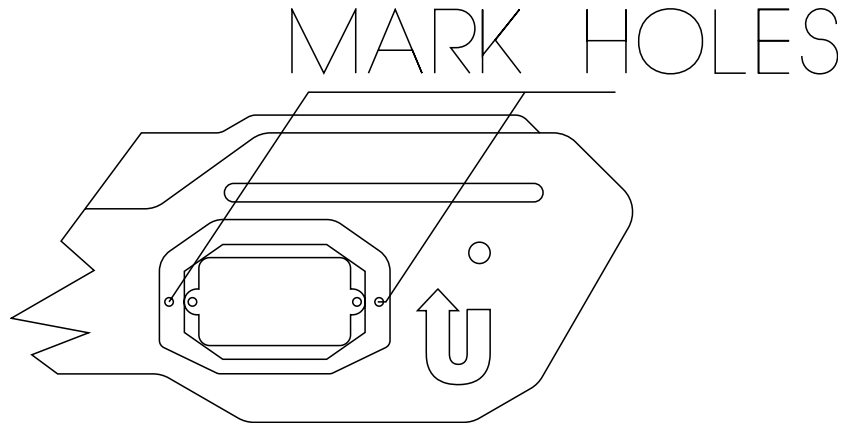
Locate the four(4) small tabs located inside each scenePOD™ opening. Using a pair of side cutters or similar cutting tool snip the four(4) legs out of the hole as close to the body of the rack as you can. We have designed this opening to allow the pods to fit even with a little left over material. You will be able to verify you've cut enough aluminum in the next step. If you find that the pod doesn't easily fit in the hole you can use a hand file to wear down the left over nubs and add the clearance for the pod.



upTOP scenePOD™

## STEP 2

With the appropriate amount of clearance for the pod to **EASILY** sit in the opening (You should not have to force it in at all) place the pod into the opening and using a Fine Tip Sharpie™ mark the hole locations matching the diagram below.



## STEP 3

With the holes marked remove the pod and sit it aside. Using a cordless drill with a 9/64" drill bit slowly start each hole and verify that the drill is parallel to the rack (drilling a straight hole) and drill the two holes marked in step 2.

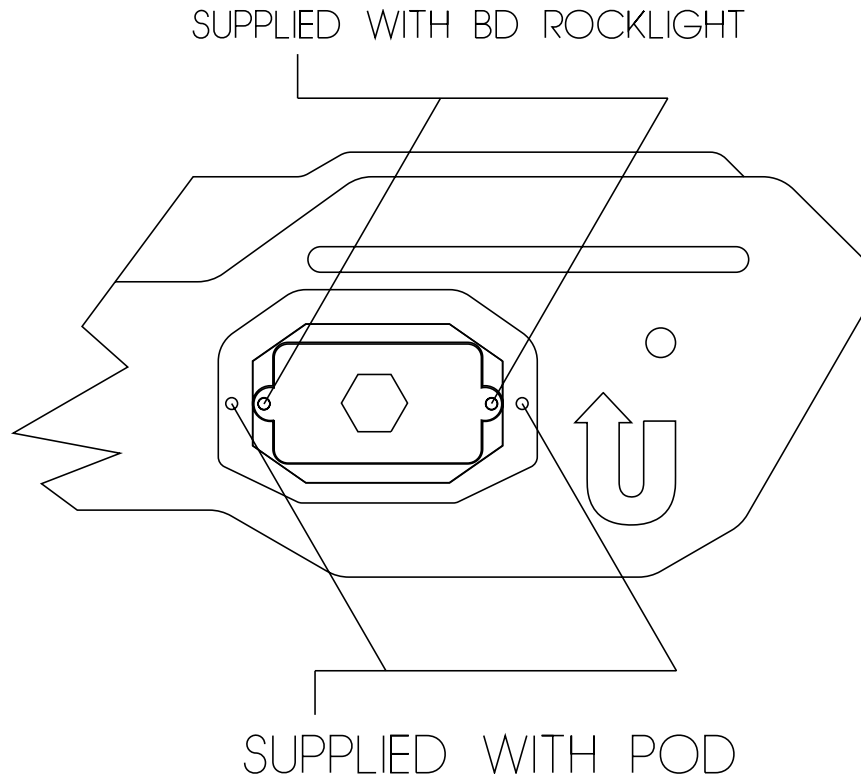
**Repeat Steps 1-3 for any remaining scenePOD™ locations on your rack system.**

## STEP 4

You will mount each Baja Designs™ Rock Light into each scenePOD™ and route the wiring of that light through the cable retention tab located on the rear of each scenePOD™. The rock lights will mount INTO THE POD with hardware supplied with your Baja Designs™ rock light. The lights arrive to you with four screws. Two longer ones and two shorter ones. **Discard** the two **LONGER** screws as they are not used in this application. Using the two shorter screws and the 3mm Allen wrench start the screws THROUGH the rock lights and into the pod. The pod is made of a soft 3D printed plastic material and if you apply enough pressure by hand the screws will start threading themselves and this will eliminate the need for thread locking compound.

## STEP 5

With the rock lights installed into the pods you can now use the provided screws that shipped with your scenePOD(s)<sup>™</sup> to mount the pod to the rack assembly. The screws that shipped with your pod require a 2.5mm Allen wrench and the screws will thread themselves into the aluminum armorTEK<sup>™</sup> of your rack system.



### Electrical Wiring

upTOP<sup>™</sup> offers wiring solutions that are designed for each specific rack system that we make. If you are using one of those harnesses refer to installation manual for upTOP quickWIRE<sup>™</sup> for termination and current ratings.

If you are providing your own wiring it is your responsibility to make sure the wiring you use is sufficient for the current demands of the circuits you are installing and you should verify any and all electrical connections with a Digital Multi Meter (DMM) prior to energizing that circuit.