



upTOP 4100 bikeSHELF

Thank you for selecting upTOP™ as the choice for your vehicle. The new bikeSHELF provides adjustable, rigid mounting locations for a variety of bike racks. Including tray and fork mount variants. These mounts are designed for road bikes, mountain bikes, and E-bikes up to 100 pounds. Will work with most bed racks with a height of at least 10”.

BIKE RACK MOUNT NOT INCLUDED

You will need additional products to attach your bicycle. This product provides a rigid shelf and attachment point on bed racks for third party bike mounts but will does not provide a way to secure the bicycle to the vehicle.

TOOLS REQUIRED

- 3/16” wrench
- 1/2” wrench

Tools listed are for installation of this product on an upTOP TRUSS bed rack. Other bed racks might require additional tools or modification not covered in this guide. TRUSS models produced prior to 2023 may require 5mm Allen and 13mm wrench for armor hardware removal.

You are encouraged to inspect the contents of your package prior to completing assembly and installation. For any missing/damaged parts email pictures and descriptions to support@uptopoverland.com with your order number as reference in the subject line. A specialist will assist you with the process for field repair or component replacement.

upTOP products are designed, manufactured and tested in the Rocky Mountains of Colorado. Each product is meticulously engineered to rigorous standards with emphasis on rigidity, practicality and the signature upTOP look. Never use a product in a manner inconsistent with its design. Never exceed verified product load capacity. Never alter, manipulate or otherwise modify our product without express written permission.

The images provided pertain to upTOP TRUSS bed racks. Although other bed racks can be compatible with the product we do not supply images or specific instructions for mounting in this guide and modification to bed rack may be required. Technical support is available to answer questions Monday-Friday through our website.

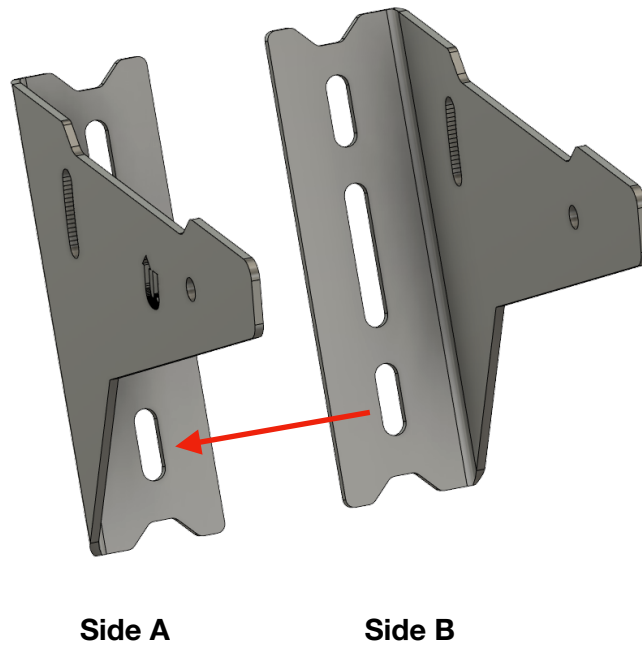
- This kit includes the components to assemble two (2) complete shelves.
- The shelves should be installed on the outer most legs of your TRUSS bed rack keeping them as far apart as possible for maximum bike stability.

This kit includes the following:

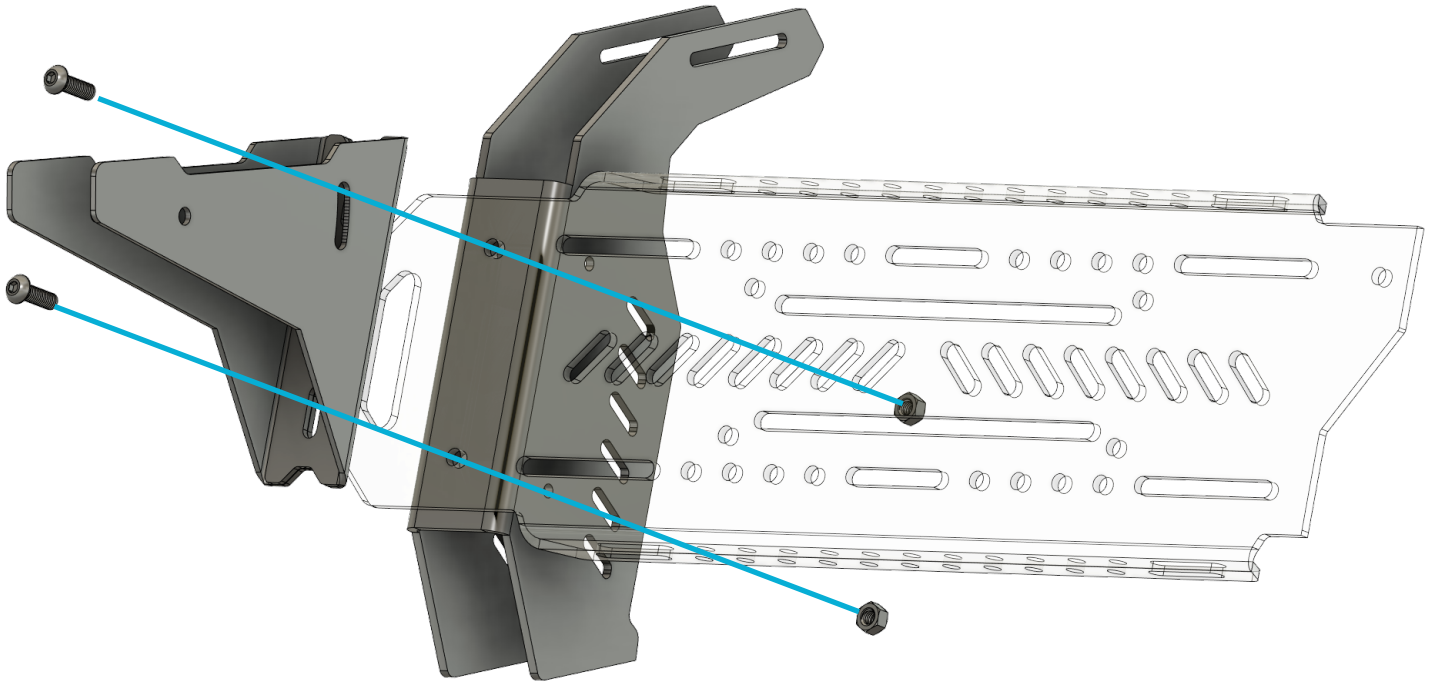
Part Number	Quantity	Description	Tool Required
Side A	2	Left Wing with Logo	NA
Side B	2	Right Wing without Logo	NA
Pivot	2	Shown orange. Ships black.	NA
Mounting Bolt	(4) Black	1.0" Bolt-Black	3/16 Allen
Mounting Nut	4	Nylon lock nut	1/2 wrench
Spacer	2	.1875" Spacer ALU	NA
Pivot Bolt	8 (Black)	3/4" bolt-Black	3/16 Allen
Pivot Nut	8	Nylon lock nut ZP	1/2 wrench

To make this easy we recommend installing one set of brackets at a time so that TRUSS armor does not have to be completely removed from bed rack.

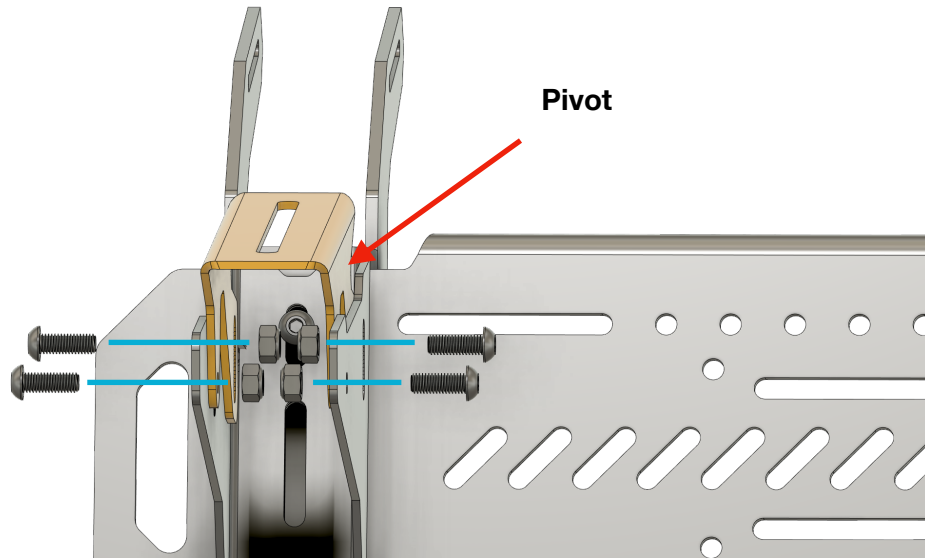
STEP 1
WINGS



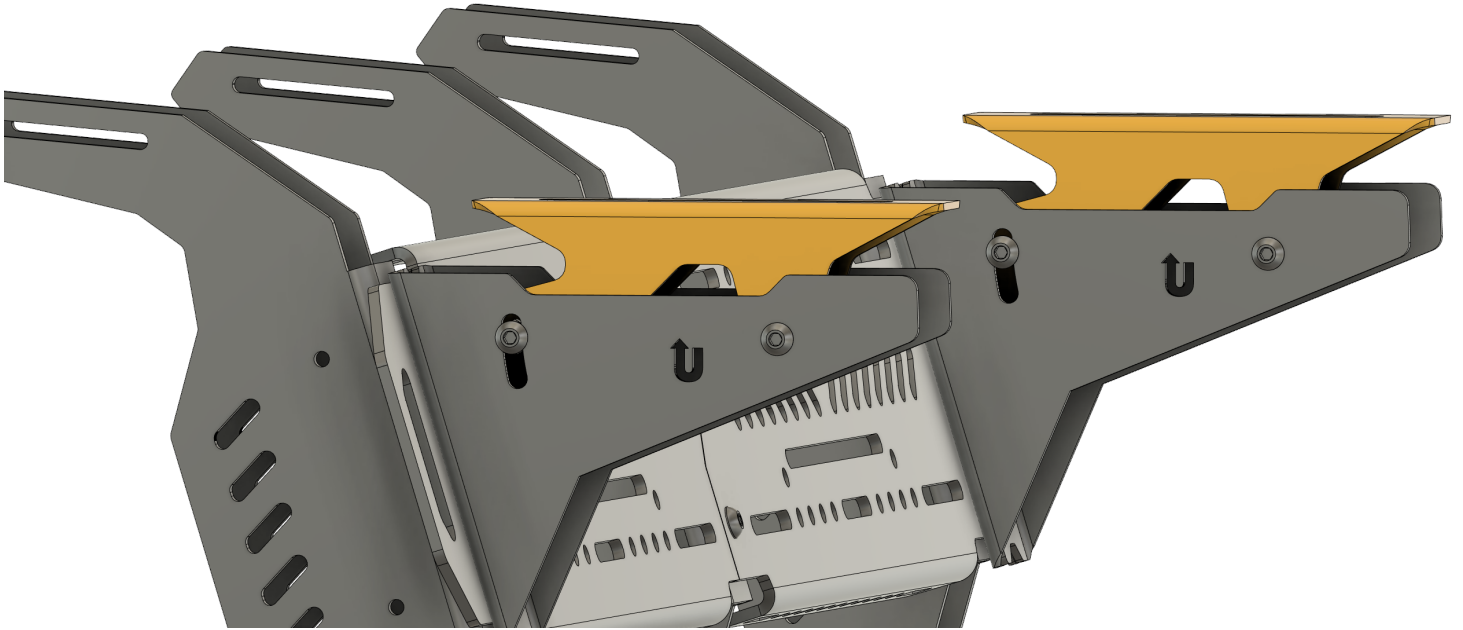
- Remove and discard the mounting hardware for your TRUSS armor. Remove the hardware from one leg at a time to keep the armor in place.
- The back of Side A will rest against the face of your TRUSS armor.
- Side B will be placed on top of side A.
- The mounting slots in both pieces will align with each other.
- Place the two parts together and align over the mounting holes in your TRUSS armor.



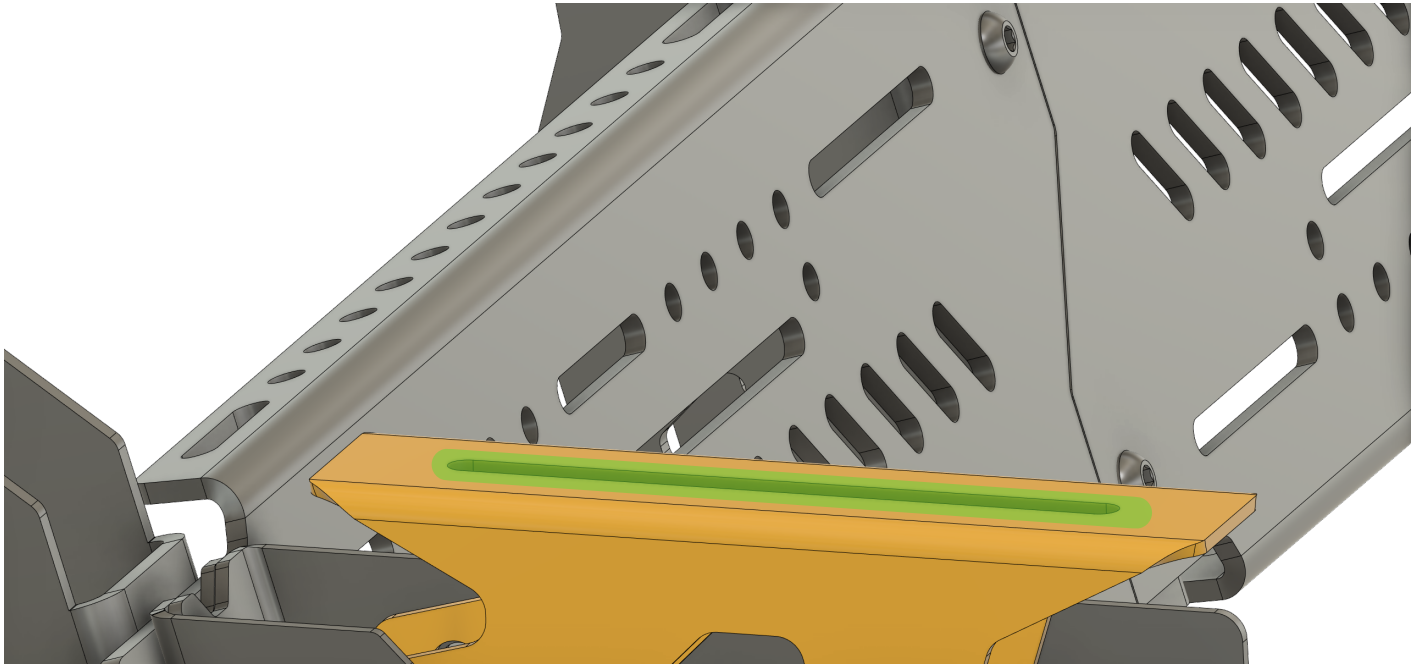
- Use the longer bolts supplied in your kit to attach shelf side A and side B to your legs. This assembly sits ON TOP of your TRUSS armor (shown here in clear).
- Install the nylon lock nuts onto the bolts and tighten in place with 3/16" Allen wrench and 1/2" wrench.
- Remove the TRUSS armor hardware from the opposite end of the system and repeat the process with the remaining side A/B. The original TRUSS armor hardware will not be re-used.



- **Align one of the Pivots as shown above. It will slide into your assembled A/B sides.**
- **If the holes and slots in the pivot do not easily align with side A/B please ensure that side A is sitting directly against the TRUSS armor. Improper assembly will cause misalignment of the holes/slots on the pivot.**
- **Use the shorter bolts supplied in this kit to attach the pivot to the sides.**
- **Do not fully tighten the hardware. Get it just snug enough that you can adjust the pivot by hand.**
- **Repeat the process at the opposite end of the bed rack.**



- Adjust each pivot until it is parallel (level) to the ground.
- Use 3/16 Allen wrench and 1/2 wrench to fully tighten all of the hardware.



- **Use the slot in the top of the pivot indicated here in Green to attach your third party bike mount.**
- **Hardware for this step should be provided by bike rack manufacturer and is not included with this kit.**
- **For reference the slots are capable of accepting up to 8mm or 5/16 hardware.**

FINE PRINT

- **It is the responsibility of the user of this product to ensure that the bike is properly secured before operating the vehicle.**
- **Use of this product by end user releases upTOP from liability of damage to bicycles and/or vehicles incurred from improper use of this product.**
- **Be aware of increased height and width requirements for vehicles when carrying a bicycle.**