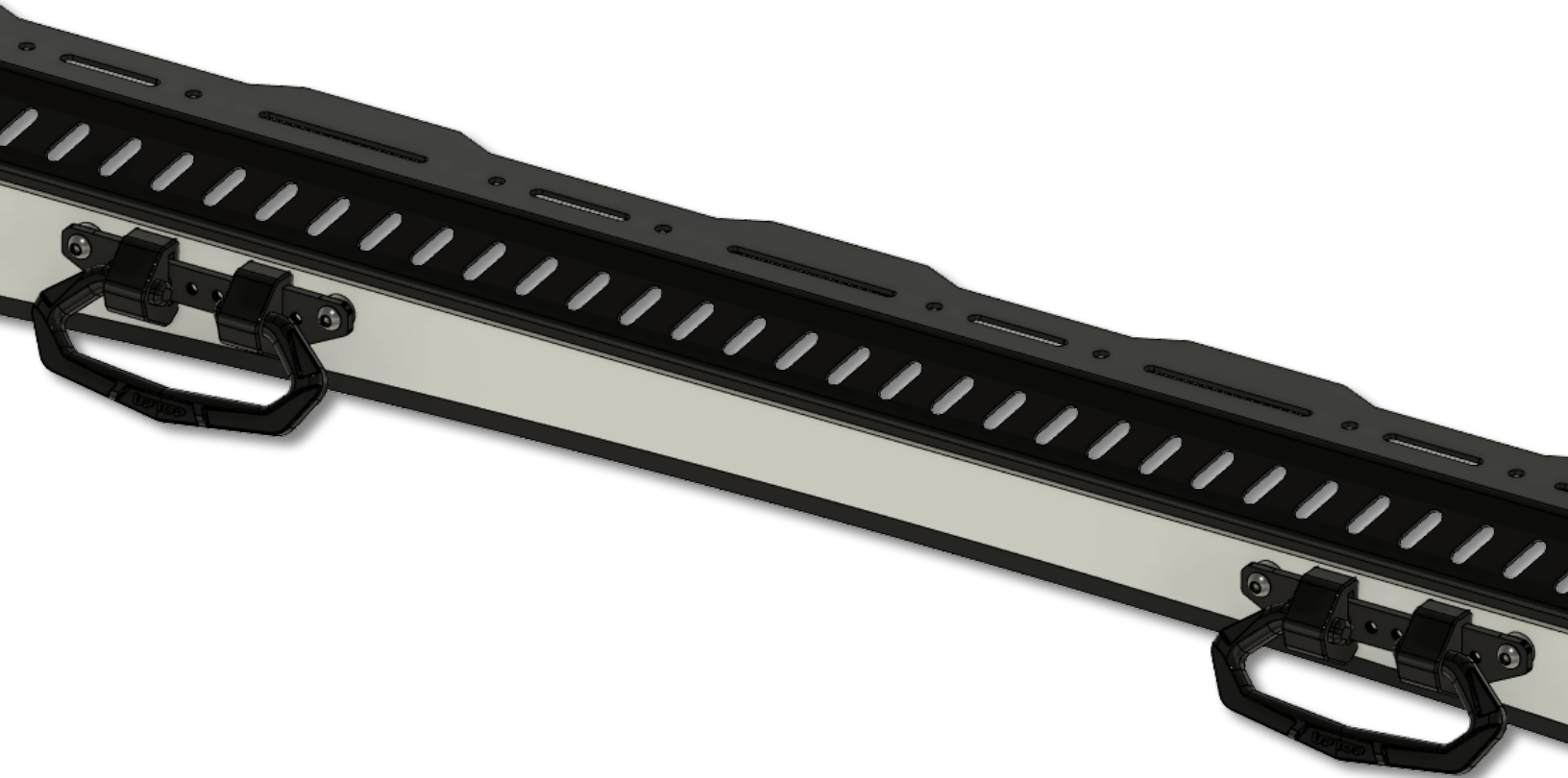




ZULU >

- eX Rear Roof Rack**
- Camper/Topper
 - Bed Rack
 - All Models



Based in Colorado, USA

Ph 720.730.6381

support@uptopoverland.com

OUTDOOR TO THE CORE

Four years ago we produced a roof rack like nothing anyone had ever seen. Now our racks roam all over the world taking on adventure and keeping your gear at the ready upTOP, right where it belongs.

We have always been a company based on innovation. We had to make hard decisions between mass production and staying true to our beliefs delivering products that are rugged enough to explore places few have ever seen that also enhance the appearance of your vehicle.

Pioneering things that just made sense in our minds we came up with ways to reach things on the racks and put lighting where you would need it. We gave you color choices in a world full of black racks and wind screens that let you drive in peace with no noise.

We ask ourselves all the time “What do we actually do here?” A lot of energy goes into answering that question because it changes so often. The more people we meet the more we get feedback and input about the things that travel with you on your adventures.

The product in this package had to happen. The path was laid out in front of us the day we posted our first picture to a forum. We just didn’t see it then.

This Zulu™ roof rack takes everything we’ve learned and results in increased utility allowing more products than ever to be securely mounted to your rack. The completely redesigned wind screen provides enhanced aerodynamics so the only thing you hear on your trip is your favorite music. Material selection for construction brings you an industry first stainless steel rack body for unmatched rigidity that will last a lifetime in harsh environments.

What started as a company that made products for people that love to off-road has transitioned into a company that provides solutions for camping, fishing, hiking, biking, and more. We are and will always be outdoor to the core.

ZULU™ DNA

- Stainless steel three dimensional body construction for perfect fit and finish.
- Formed windscreen allowing you to choose if you want lighting or not.
- Version 2 grab handles that are easy to install and convenient to use.
- quickWIRE ready so your lighting is always reliable.
- Black stainless hardware for a clean appearance.
- Your choice of color for the outer armor. Be stealth or make a statement.
- Adjustable load bars to make mounting gear quick and easy.
- scenePOD™ ready for easy integration of side mounted trail and camp lighting.

PRE-APOLOGY

This comprehensive guide contains a great deal of information about the assembly, installation, and customization of your roof rack.

We provide all of this content because you just never know how comfortable someone is doing things themselves and we want to make sure that you have all of our experience at your fingertips to make the process as simple and stress free as possible. There is also the chance that you are tackling the installation on the weekend and we might not be available to assist you. Instead of wasting your time we packed this guide with detailed illustrations and notes to have you on the trail in no time.

So there you go. I'm sorry in advance that this guide is so big. It's not intended to be intimidating but instead a resource guide written by the guy that designed your roof rack to ensure that you have access to all the things I know about our products and building world class adventure vehicles.

I would love your feedback about the material contained here, the presentation of the information, and ease of use (or lack there of). It's an incredibly difficult task to format our instructions in a way that people from different skill levels and backgrounds can find useful.

Thanks for choosing our company,

**Micah Williams
Engineering/Product Development
upTOP Overland**

TABLE OF CONTENTS

Section 1-Rack Side Assembly

Section 2-Cap/Topper Installation

Section 3-Bed Rack Installation

Section 4-Lighting and Electrical

Section 5-General Information

How to use this installation guide:

The eX roof rack will arrive to you based on your configuration during initial order placement. Since this guide includes the information on putting an eX rack on a camper/topper as well as a bed rack some parts of this guide won't pertain to you.

In all cases you will assemble the rack bodies for the left and right side of the vehicle prior to installing them onto the vehicle.

SECTION 1 shows you how to assemble the sides of an eX rack and the steps are the same for all eX variants regardless of bed length of your vehicle, or the width of the cross bars included with your kit. Everyone will refer to and use **SECTION 1** as part of their roof rack installation.

Use **SECTION 2** if you are installing your eX roof rack onto a cap/topper. (Not Included)

Use **SECTION 3** if you are installing your eX roof rack onto a TRUSS bed rack. (Not included)

SECTION 4 will help you add optional lighting and electrical connections to your eX roof rack. If you are not installing lighting you can ignore this section.

So.....just to re-cap here and make this easy on you:

If you are putting this product on a **camper shell (cap) or topper** you will use **SECTION 1** and **SECTION 2**.

If you are putting this product on a **TRUSS bed rack** you will use **SECTION 1** and **SECTION 3**.

SECTION 4 covers the lighting and electrical for a ZULU rack if you've chosen to install those additional products and would be used both for camper/topper or TRUSS bed racks.

The major components for all production lengths of the eX roof racks are included on the next page.

The mounting system shipped with your order derives from menu selections made at time of order for a cap/topper (ETC) or a TRUSS Bed Rack (ETM).

WHAT'S IN THE BOX:

eXSB (65" Length)

PART NUMBER	DESCRIPTION	QUANTITY
Z105.2	Driver Side Inner Body	1
Z106.2	Passenger Side Inner Body	1
Z203	Outer Armor-Ambi	2
Varies By Vehicle	Cross Bar-Rack Body	7
UT-GRB-KTA-001	grabHANDLE v2.0 Kit	1
Z10001	Zulu Rack Master Hardware Kit	1

eX6 (72" Length)

PART NUMBER	DESCRIPTION	QUANTITY
Z113.2	Driver Side Inner Body	1
Z114.2	Passenger Side Inner Body	1
Z207	Outer Armor-Ambi	2
Varies By Vehicle	Cross Bar-Rack Body	7
UT-GRB-KTA-001	grabHANDLE v2.0 Kit	1
Z10001	Zulu Rack Master Hardware Kit	1

eX65 (78.5" Length)

PART NUMBER	DESCRIPTION	QUANTITY
Z115.2	Driver Side Inner Body	1
Z116.2	Passenger Side Inner Body	1
Z208	Outer Armor-Ambi	2
Varies By Vehicle	Cross Bar-Rack Body	9
UT-GRB-KTA-001	grabHANDLE v2.0 Kit	1
Z10001	Zulu Rack Master Hardware Kit	1

TOOLS REQUIRED

TOOL	REQUIRED FOR YOUR APPLICATION
5/32" Allen L Key	Yes
3/16" Allen L Key	Yes
1/2" Wrench	Yes
7/16" Wrench	Yes
4mm Allen L Key	Yes
5mm Allen L Key	No
6mm Allen L Key	No
10mm wrench	No
Cordless Drill	No
Rubber Mallet	No
Taper Punch 19mm (3/4")	No
Hand Rivet Gun (1/8" Mandrel)	No
Silicone Sealant/Applicator	No
Masking Tape	No
Tape Measure	Yes
Level	Optional-Recommended



The VC3 thread compound provided with your kit requires time to air dry prior to installation. Feel free to separate and apply the VC3 to all bolts in the following hardware now so that it is ready when you are:

Bags Z1, Z2, Z3, and Z5 all require VC3 on the bolts for Z10001

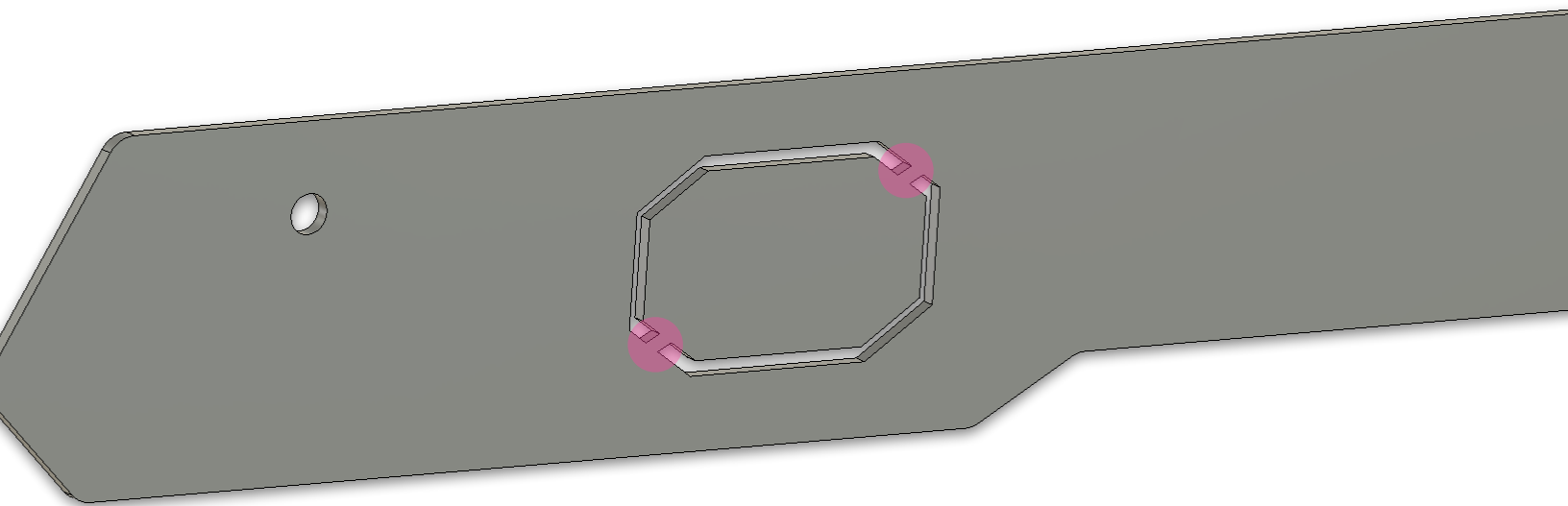
Bags A, and B for ETC 9011 (Cap/Topper)

Bags A, and C for ETM 9010 (TRUSS Bed Rack)

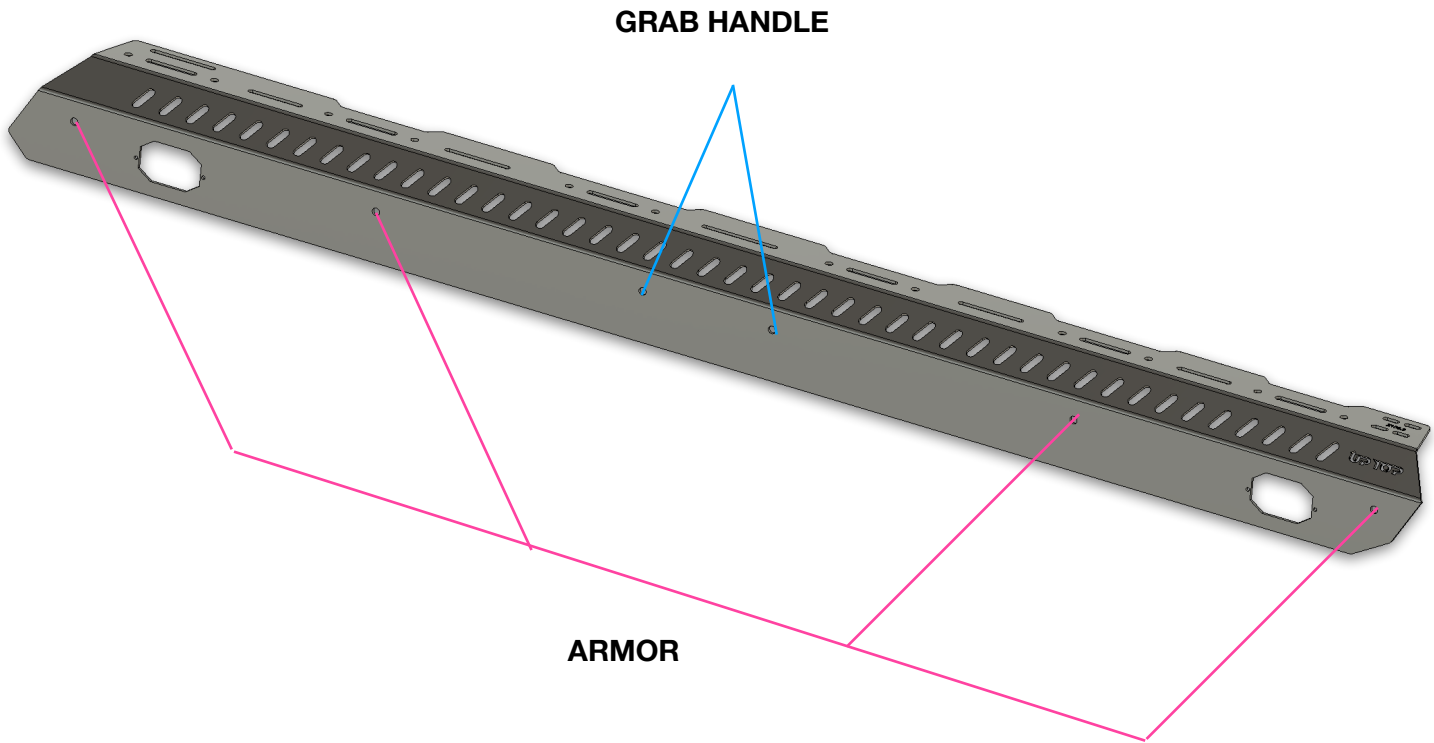
SECTION 1 RACK SIDE ASSEMBLY

PRE-INSTALLATION NOTES

- If you will be installing our optional scenePOD side lighting along with your roof rack you will want to remove the factory knockouts in your ARMOR prior to assembly. Much easier to accomplish before mounting to vehicle.
- Since they are hidden the scenePOD holes in your inner rack body are removed at the factory.
- You can use a file, small saw blade, etc...to trim the two tabs indicated in **PINK**.
- Repeat for each location you intend to place a scenePOD.
- For more information on installation of scenePODS and rock lights please refer to **Section 4: Lighting and Electrical**.



SECTION 1 Rack Side Assembly



The driver and passenger side of your roof rack will be assembled off the vehicle to include:

- **Armor**
- **Grab Handles**
- **scenePODS (Optional-If Equipped)**
- **quickWIRE (Optional-If Equipped)**

In this step you will attach the armor to the inner rack body. You will also assemble and install your handles. You can also install scenePODS and/or quickWIRE harnesses if you ordered them with your roof rack.

- **The grab handles will attach to locations are indicated in Blue.**
- **The armor connection locations are indicated in Pink.**

You can always add scenePODS and wiring to your rack at a later time if you choose to. Refer to the lighting and Electrical (section 4) portion of this guide for information on how to complete those steps.

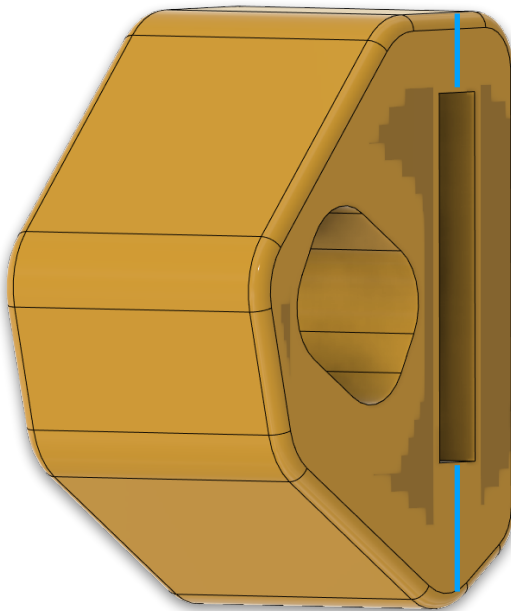
The handles will need to be assembled prior to installation on the rack. We will cover those steps first.

SECTION 1 Rack Side Assembly-Handles



GRIPPER ORIENTATION

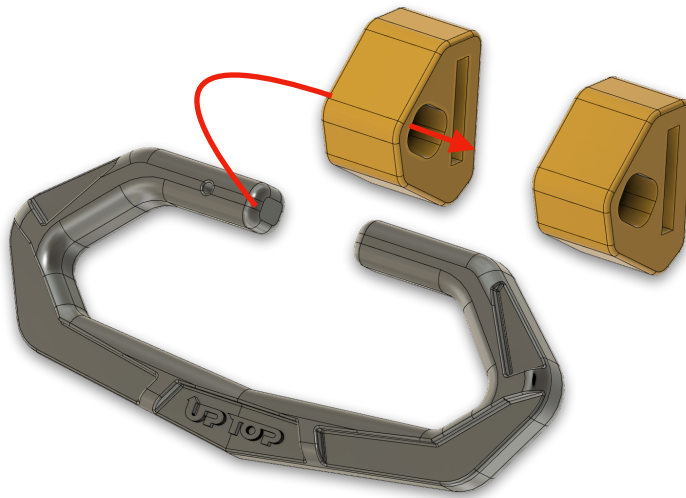
- For proper orientation of the gripper be sure that the shorter distance from the lace plate slot points up.
- If you choose to flip the lace plate for more obstacle clearance do NOT flip the included urethane grippers.



SHORTER/TOP

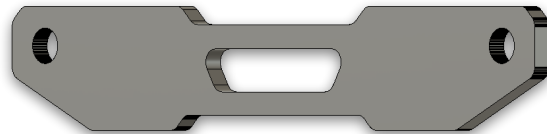
LONGER/BOTTOM

SECTION 1 RACK SIDE ASSEMBLY-HANDLES

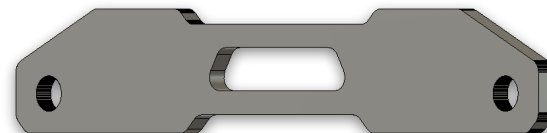


- Each handle requires two (2) grippers.
- We recommend spraying the gripper and lace plate with soapy water or window cleaner to act as a slip agent to reduce friction and make assembly easier.
- Grippers shown in **orange** for contrast. Production components are only available in black.
- Some powder coat color options are applied in heavier coats than others. Textured powder coats will be a little tougher to assemble than smooth coatings.
- The fit is supposed to be very snug bordering on “this thing doesn’t fit”. This is normal and helps keep the handle in perfect position during use.
- You will install the grippers one at a time by lining the square hole on the gripper up to the end of the grab handle shown here in with the **red** arrow.
- Install the grippers to all of the handles included with your order.

SECTION 1 RACK ASSEMBLY-HANDLES



STANDARD



FLIPPED



LACE PLATE ORIENTATION

The lace plates can be rotated (flipped) to allow for more clearance below the grab handles as necessary for clearance around moving objects like doors, and hatches.

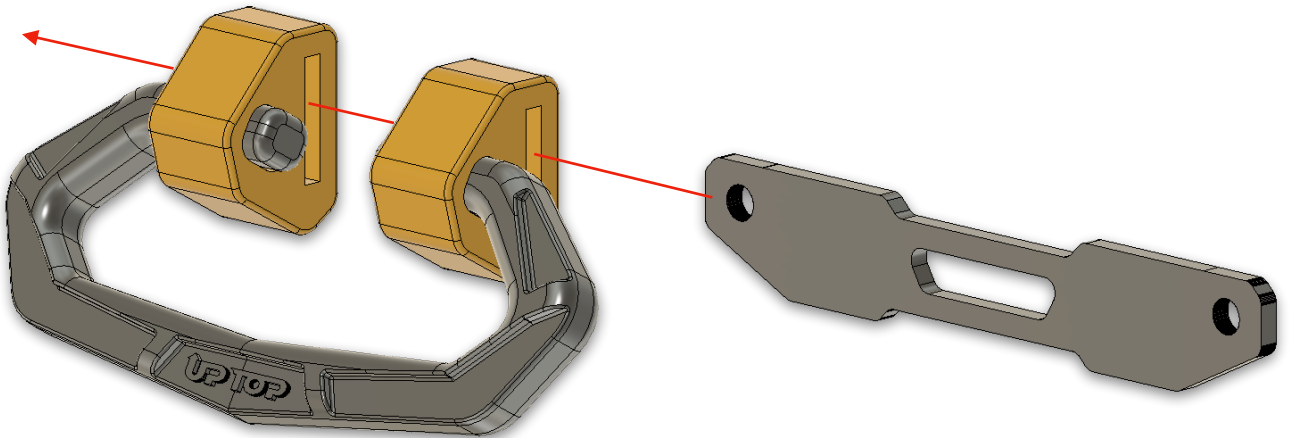
This guide uses images of the lace plate in the traditional (standard) orientation.

When flipped the handles are raised by 1/2" (12mm) for increased obstacle clearance.

Do NOT flip the included urethane grippers.

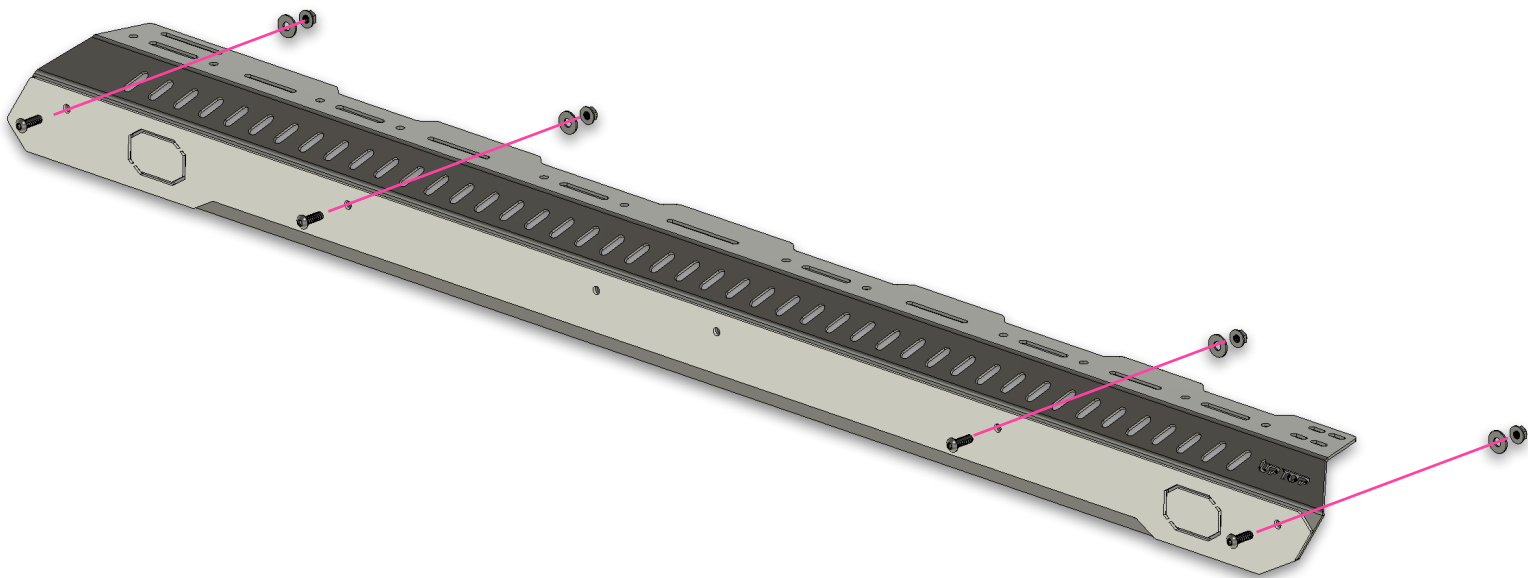
SECTION 1 RACK SIDE ASSEMBLY-HANDLES

Lace plate orientation is shown standard. When installed if you need the handles to sit higher for obstacle clearance you can flip the lace plates over as shown on Page 10.



- We recommend spraying the gripper and lace plate with soapy water or window cleaner to act as a slip agent to reduce friction and make assembly easier.
- Slide the lace plates through the grippers as shown by the red arrow.
- Feel free to use a rubber mallet to tamp the lace plates into place. That's how we do it at our facility. They will be extremely difficult to push in place by hand.
- If you need to flip the lace plates over later you will need to remove them from the roof rack to do so.
- Install the lace plates into all of the handles included with your order.
- Once all of your handles are assembled you can proceed with attaching the armor to the inner rack body.

SECTION 1 RACK SIDE ASSEMBLY-ARMOR ATTACHMENT

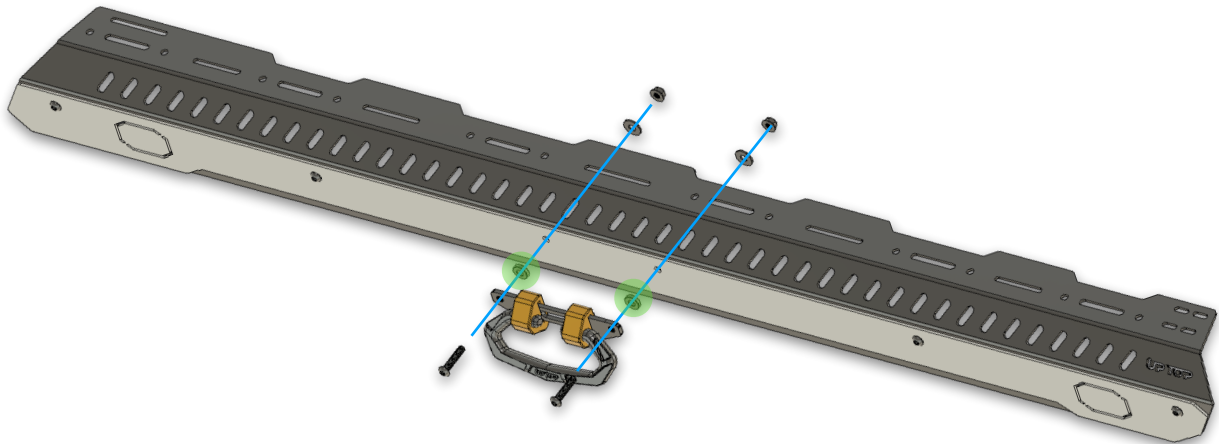


HARDWARE BAG **Z7**

TOOLS:

- 3/16 Allen L Key
 - 1/2 wrench
-
- Align as shown and assemble hardware.
 - There are no spacers placed between the armor and inner rack body.
 - The fender washers and nylon lock nuts go **INSIDE** the inner rack body.
 - Tighten the hardware completely.
 - Repeat for both sides.

SECTION 1 RACK SIDE ASSEMBLY-HANDLE ATTACHMENT



HARDWARE BAG Z6

TOOLS:

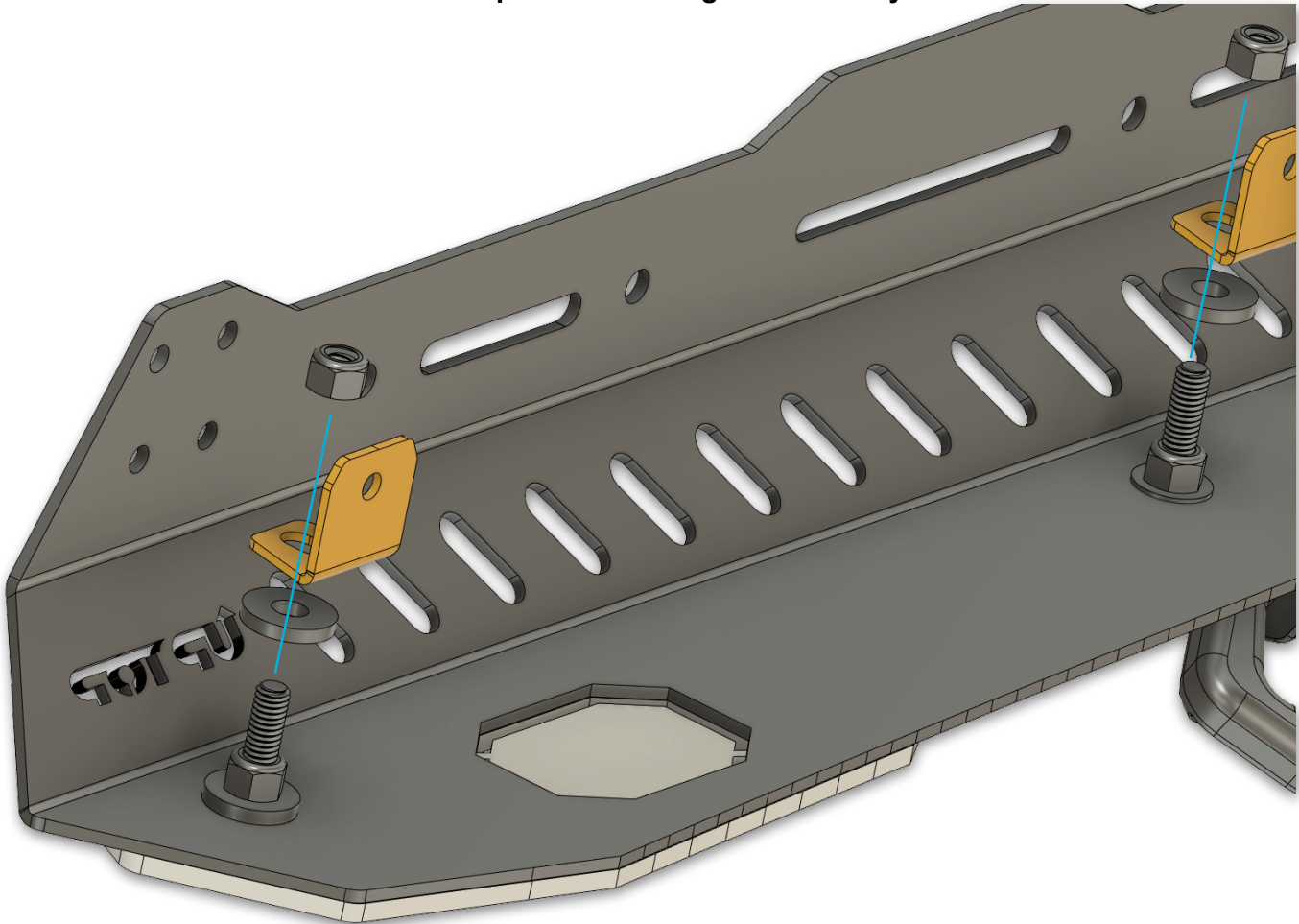
- 3/16 Allen L Key
- 1/2 wrench

- Align as shown and assemble hardware.
- Pay special attention to the thin spacers indicated in **Green** that go between the lace plates of your handles and the armor of the roof rack.
- The fender washers and nylon lock nuts go **INSIDE** the inner rack body.
- Tighten the hardware completely.
- When properly installed the grippers are compressed against the armor and the handle will have no side to side movement.
- Install a grab handle on each side of the rack body.

SECTION 1

RACK SIDE ASSEMBLY-quickWIRE (Optional/ Not Included)

This optional step requires clip retainers that are shipped with your Zulu Rack compatible quickWIRE harness. The quickWIRE is an additional accessory that must be purchased separately. Although these retainers can be installed with the rack installed on the vehicle it is easier to accomplish at this stage of assembly.



HARDWARE BAG 17364 (Shipped with optional quickWIRE harness)

TOOLS:

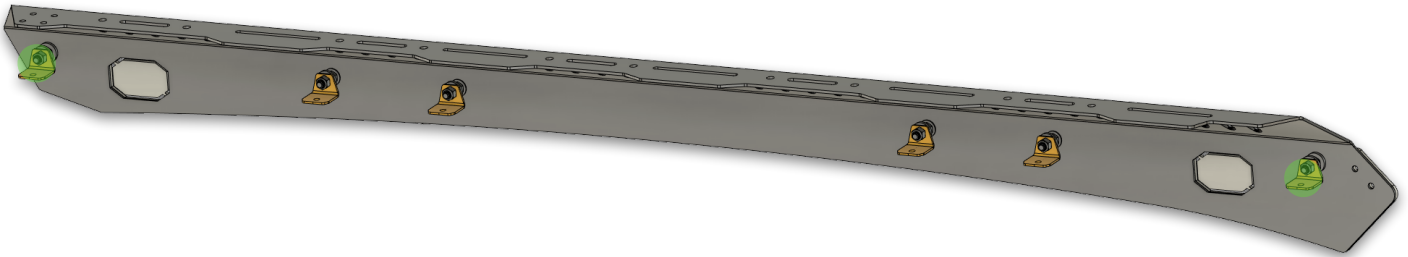
- 3/16 Allen L Key
- 1/2 wrench

NOTE: The retainers will attach to the exposed threads of your armor and handle bolts. The quantity of retainers will vary based on vehicle application. You should receive enough to install down one side the inner rack body (your choice). We usually route down the same side as the vehicle battery.

- Install a spacer over each of the bolts in your rack side assembly as shown.
- Place a retainer over the bolt using the small slotted opening in the tab. The small round hole will not fit over the bolt.
- Install the nylon lock nut and tighten into place.
- The retainers can be adjusted (swivel) as needed with the harness installed.

2/3G Toyota Tacoma side shown for reference.

RACK SIDE ASSEMBLY-quickWIRE (Optional)



When you order a Zulu compatible quickWIRE it will include an amount of retainers equal to all of the bolts in one side of your rack assembly as well as two additional retainers for the opposite side.

The side that you are going to attach the harness and route the wiring into your vehicle is the side that you would install the largest quantity of retainers onto. Basically one side of the rack gets a bunch, the other side gets the two remaining parts you have left over.

You can choose which side to attach the quickWIRE harness based on your vehicle. Details about your switching system, battery location, or wire pass locations can influence your decision.

On the opposite side of the rack you would install the retainers only at the front and rear armor attachment point, indicated here in **GREEN**.

This configuration allows you to secure your wiring to the inside of your rack and provides additional points at the front and rear of the rack on the opposing side to anchor the connectors for your rock lights and/or rear lighting connectors.

For more information about the installation of our quickWIRE product line please refer to the lighting and electrical (Section 4) portion of this guide.

2/3G Toyota Tacoma side shown for reference.

SECTION 2
CAP/TOPPER Installation

WARNING

DO NOT install your eX ZULU roof rack to a cap/topper that **DOES NOT** have cargo rails installed. Cargo rails help to distribute weight across the entire surface area of a camper/ topper and are required. Cargo rails are typically installed from the factory or place of purchase of your cap/topper and are **NOT INCLUDED** with the purchase of your eX ZULU roof rack.

The mounting system included with your eX ZULU roof rack is compatible with cargo tracks from the following manufacturers:

- Yakima™
- Thule™
- Rhino-Rack™

In order to install the eX ZULU roof rack to your cap/topper you will use the ETC mating kit included with your shipment. Section 2 will cover installing the ETC to the cargo rails on your cap/topper, as well as installing the eX ZULU rack.

ETC

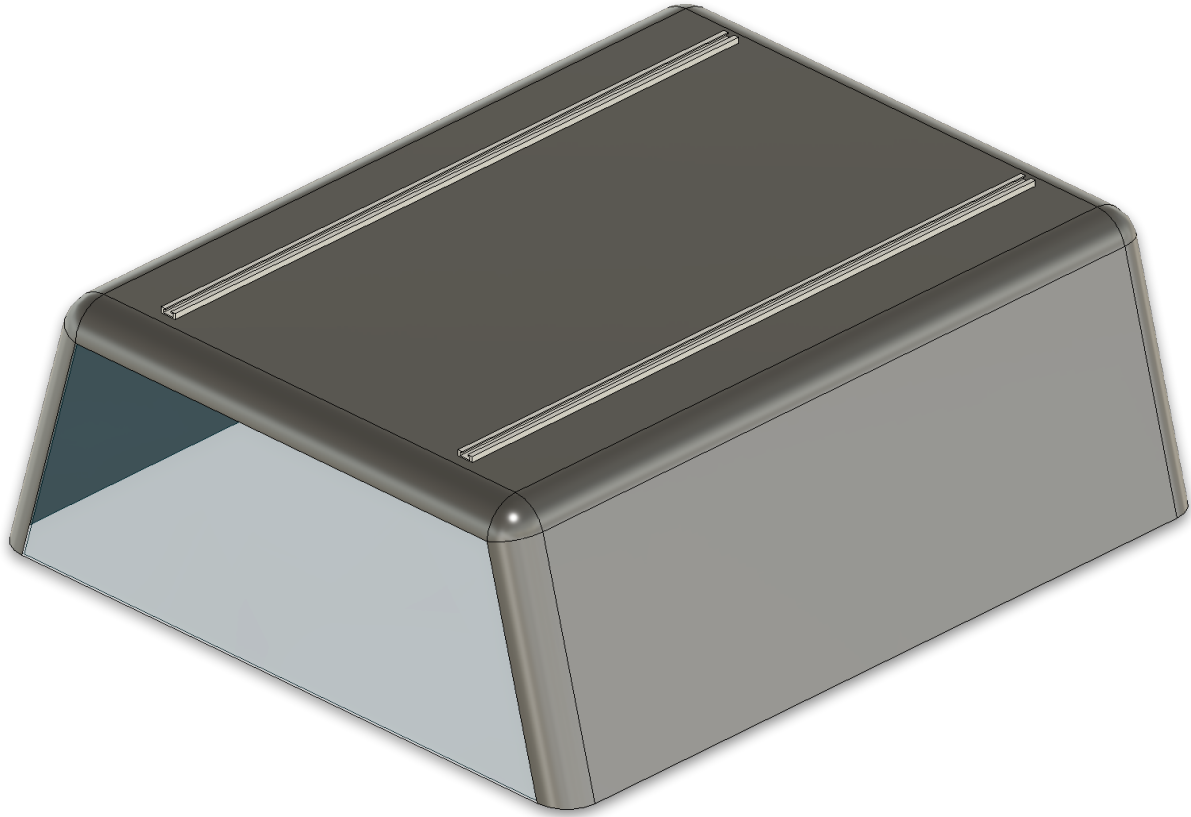
Part Number	Quantity	Description
4072	4	Topper Cargo Track Mounting Base M6x1.00 P Stud (2)
4073	4	Topper Cargo Track Anchor Plate 90 Degree Bend M6x1.00 P Stud (1)
4074	4	Cross bar wing connector
9011	1	ETC Master Hardware Kit

9011 ETC Master Hardware Kit

Bag ID	Function	Torque (Ft. Lb)	VC3
A	4072 to Cargo Track	3	Yes
B	4074 to Cross Bar	3	Yes
C	4073 to 4072	3	No
D	4074 to 4073	3	No
E	.125" Spacer-Optional	NA	No
F	.1875" Spacer-Optional	NA	No
G	.500" Spacer-Optional	NA	No

The spacers included in bag(s) E,F,G can be used to adjust the height of the eX Zulu by placing the spacers between PN 4072 and 4073 to dial in cross bar height to be level with a cab mounted roof rack (if equipped).

SECTION 2 CAP/TOPPER



Cargo Rails

Your cap/topper must be equipped with cargo rails as pictured above. Usually these are factory installed when you get your cap. If you do not have them you will need to purchase and install them prior to installing the eX rack to your cap.

The cargo rails provide attachment points that help to distribute weight loads across the entire surface of your cap and allow you to use products like roof top tents without causing damage to the cap.

DO NOT install an eX rack directly to your cap. Failure to use cargo rails to distribute weight loads over the surface of your fiberglass/composite cap can result in damage to the cap and/or cargo loads secured to the eX roof rack.

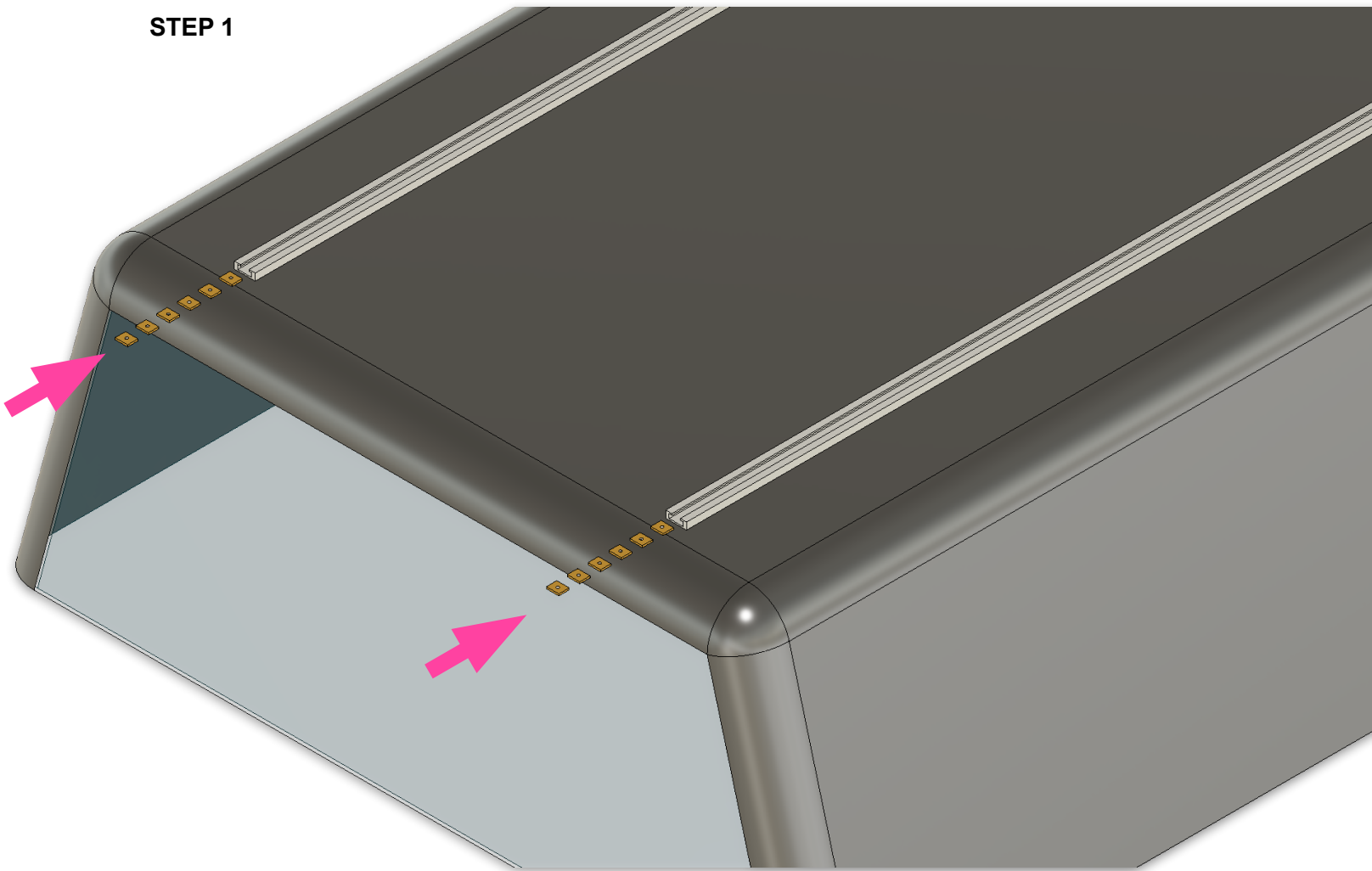
For information on compatible cargo rails see page **17**.

NOTE

If you **DO NOT** have cargo rails and you will be installing them to your cap/topper we recommend a centered spacing of 31.00-33.00 inches between the rails. Contact customer support for more information as needed.

SECTION 2 CAP/TOPPER

STEP 1



Cargo Rail Threaded Inserts **Hardware Bag A**

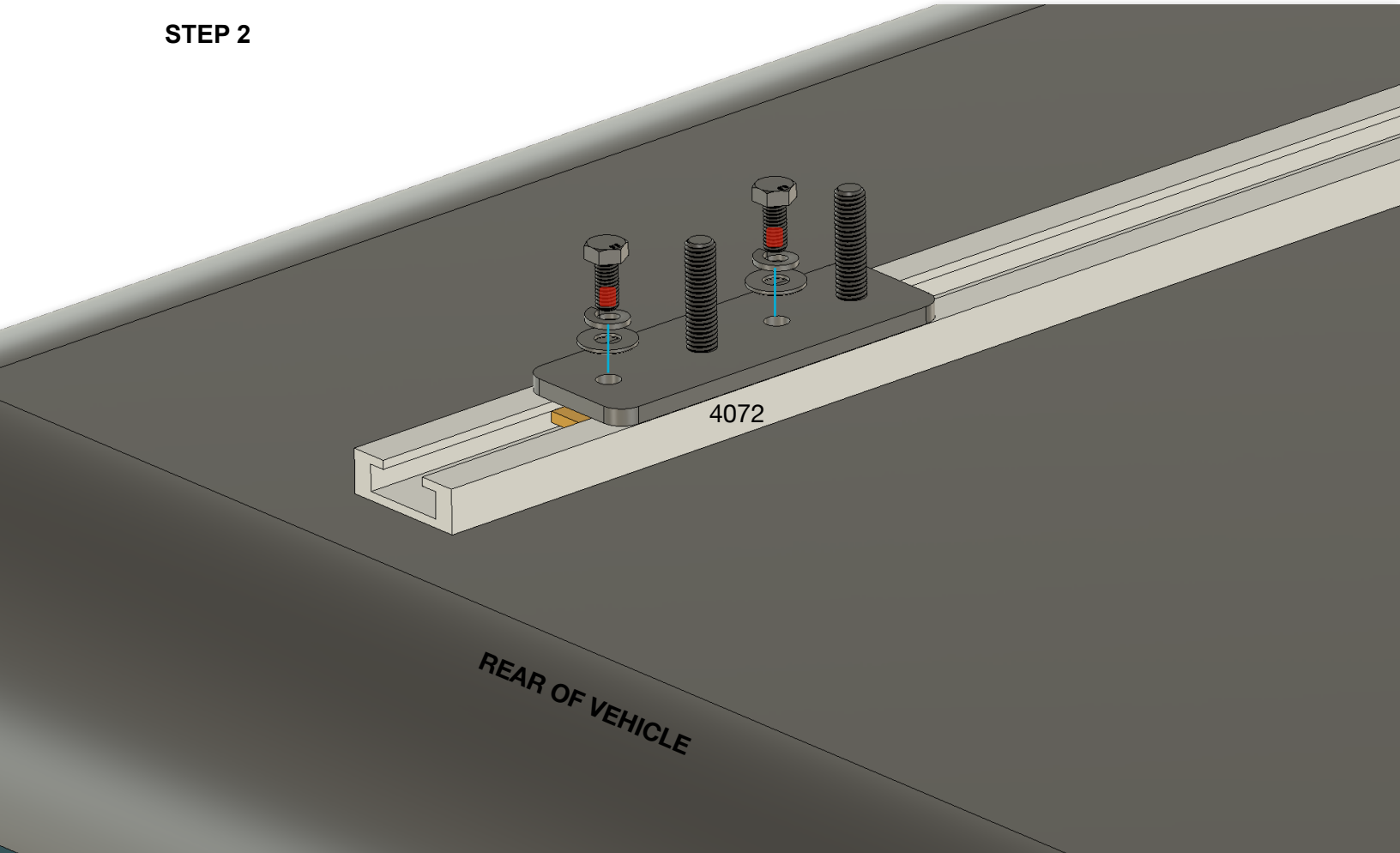
You will need to install the threaded inserts included in BAG A of your ETC hardware kit into the cargo rails on your cap.

In some cases your cargo rails will have cosmetic caps that will need to be temporarily removed to gain access to the channel. Once you've installed your threaded inserts you can put the caps back in place.

- Install six (6) inserts into each cargo track as pictured above.
- Replace the cosmetic cargo rail cap (if equipped).

SECTION 2 CAP/TOPPER

STEP 2



4072 Cargo Track Mounting Base Hardware Bag A

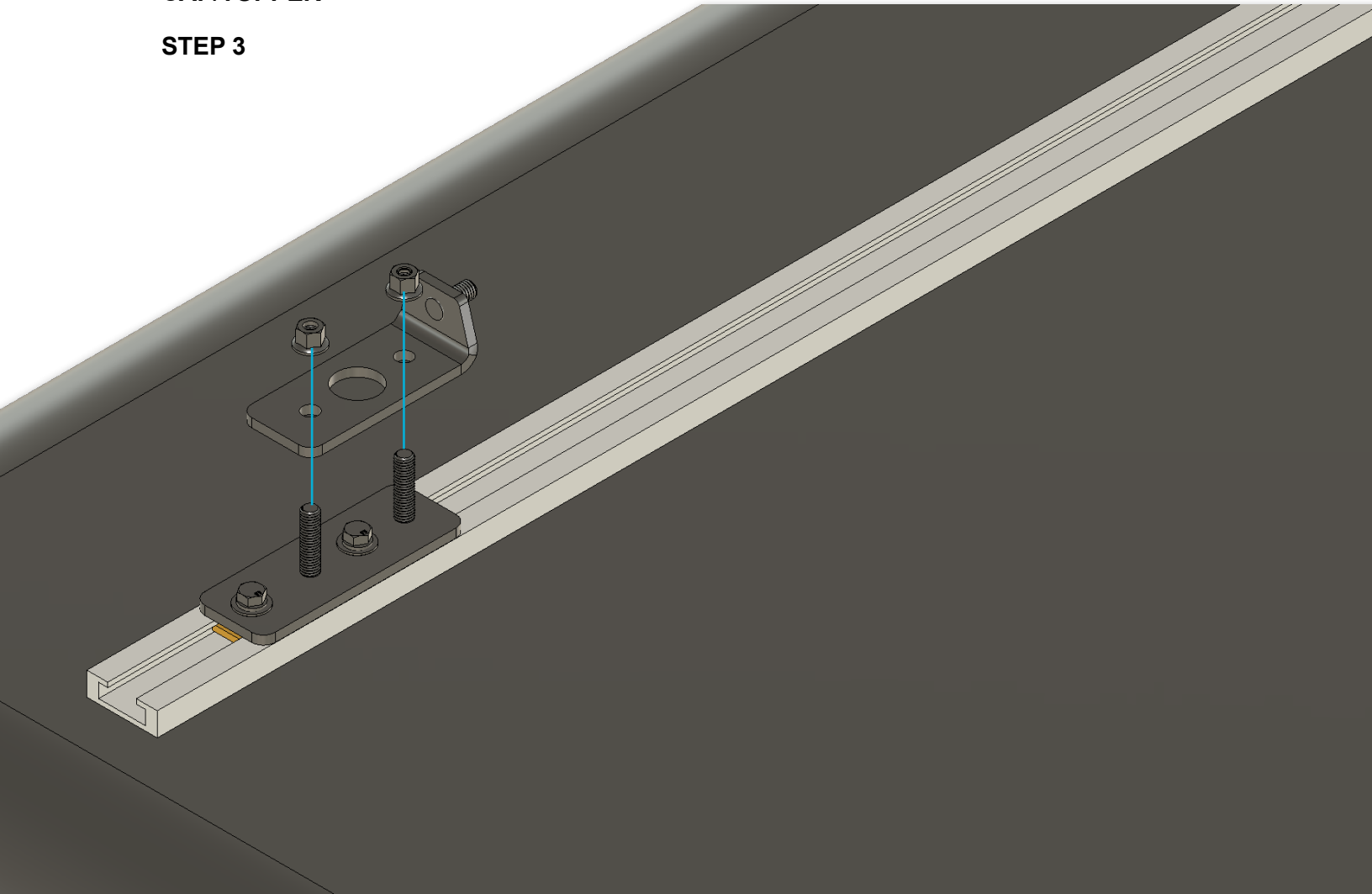
Each cargo track will use three (3) of the 4072 bases.

Be sure to apply the VC3 thread compound to the threads of the bolts provided in Bag A used for this step.

- Align the holes in the 4072 to the threaded inserts placed in your cargo rails. For reference the spacing is 2.25”.
- Use a 10mm wrench to install the bolts along with a lock washer and flat washer at each location.
- Each 4072 has two (2) bolt locations.
- Leave the hardware loose enough that you can easily slide the assembly back and forth in the cargo track. This will help with alignment later.

SECTION 2 CAP/TOPPER

STEP 3



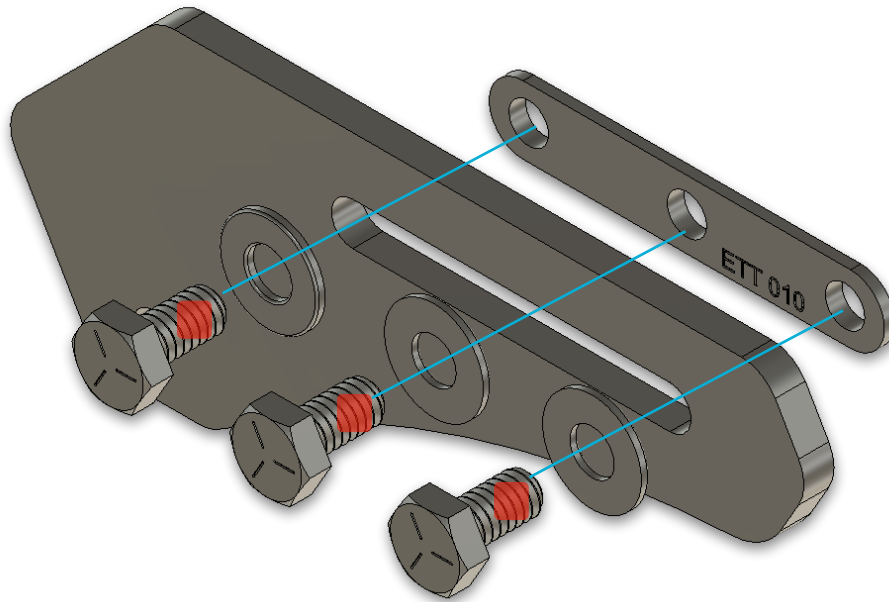
4073 Cargo Track Anchor Plate **Hardware Bag C**

You will attach a 4073 onto each cargo base (4074) installed in the previous step.

- Align the holes in the 4073 to the studs in the 4074.
- Install the nylon locking flange nuts with a 10mm wrench. We suggest starting the hardware and not fully tightening because if you need to install the spacers for height adjustment of the rack during final assembly the spacers go between the 4072/4073.
- DO NOT use VC3 thread compound on the studs.

SECTION 2 CAP/TOPPER

STEP 4



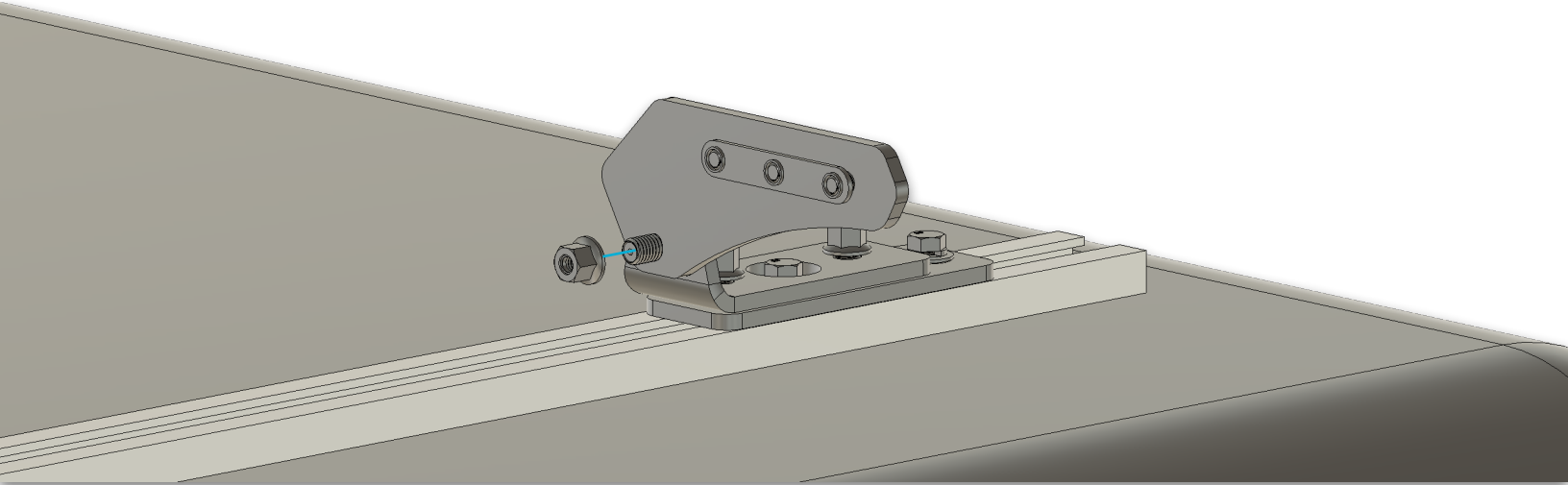
4074 Cross Bar Mount Hardware Bag B

Before you attach the 4074 Cross Bar Mounts it is wise to pre-install the hardware that will connect to the cross bars.

- Apply the VC3 thread compound to all of the bolts included in bag B.
- Install a bolt/washer into each of the three (3) threaded holes as pictured.
- Pre-assemble three (3) 4074 exactly as pictured above to be used on the **PASSENGER** side of the vehicle.
- Pre-assemble the remaining three (3) to be a mirror image (reversed) for the **DRIVER** side of the vehicle.
- See image on next page for clarification.

SECTION 2 CAP/TOPPER

STEP 5



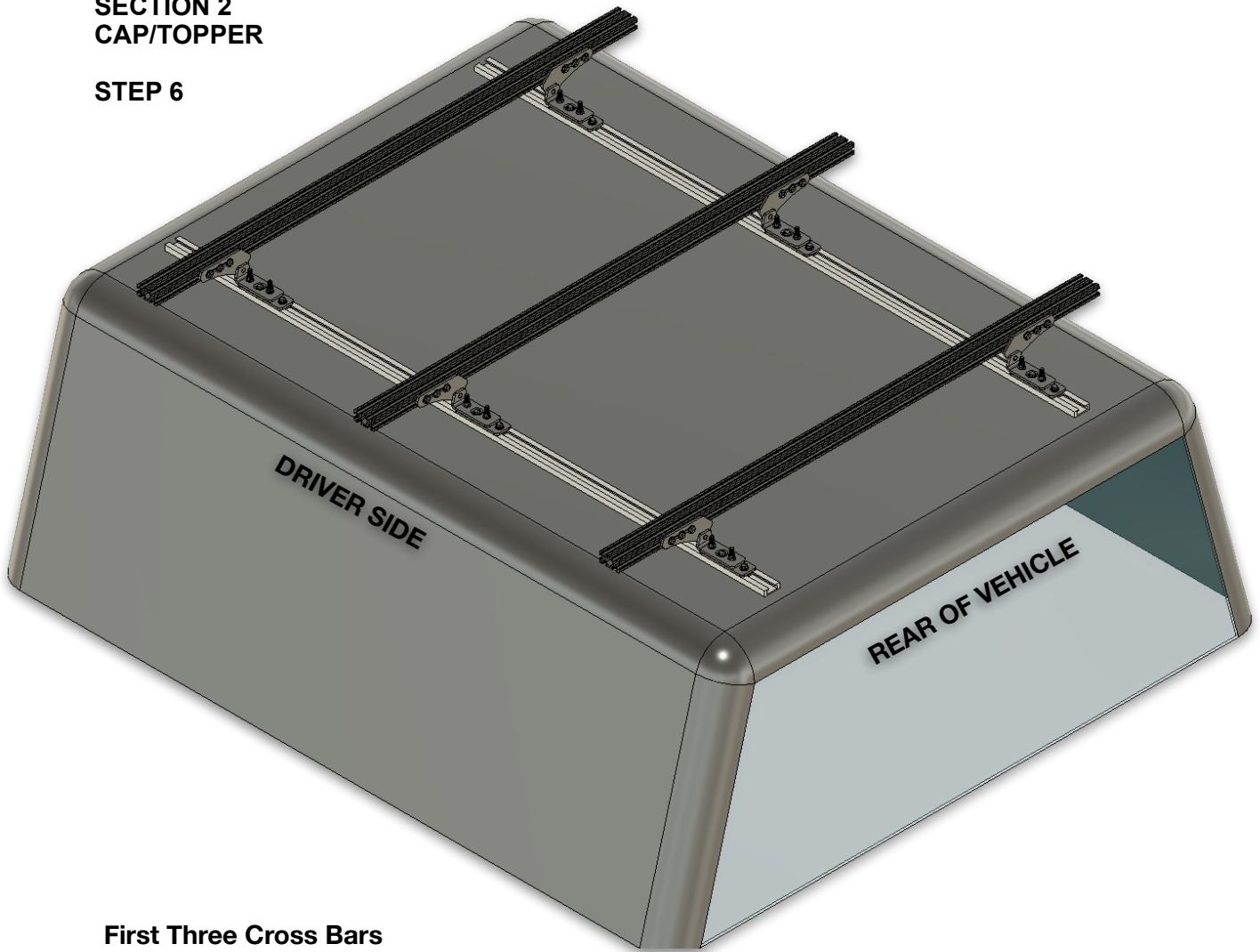
4074 Cross Bar Mount Installation Hardware Bag D

- Attach the 4074 cross bar mounts as shown. Pay attention that they match the image shown below for proper orientation on the driver and passenger side of the vehicle.
- This configuration provides the greatest support to the cross bars as well as the rack body sides to ensure maximum cargo carrying capacity.



SECTION 2 CAP/TOPPER

STEP 6



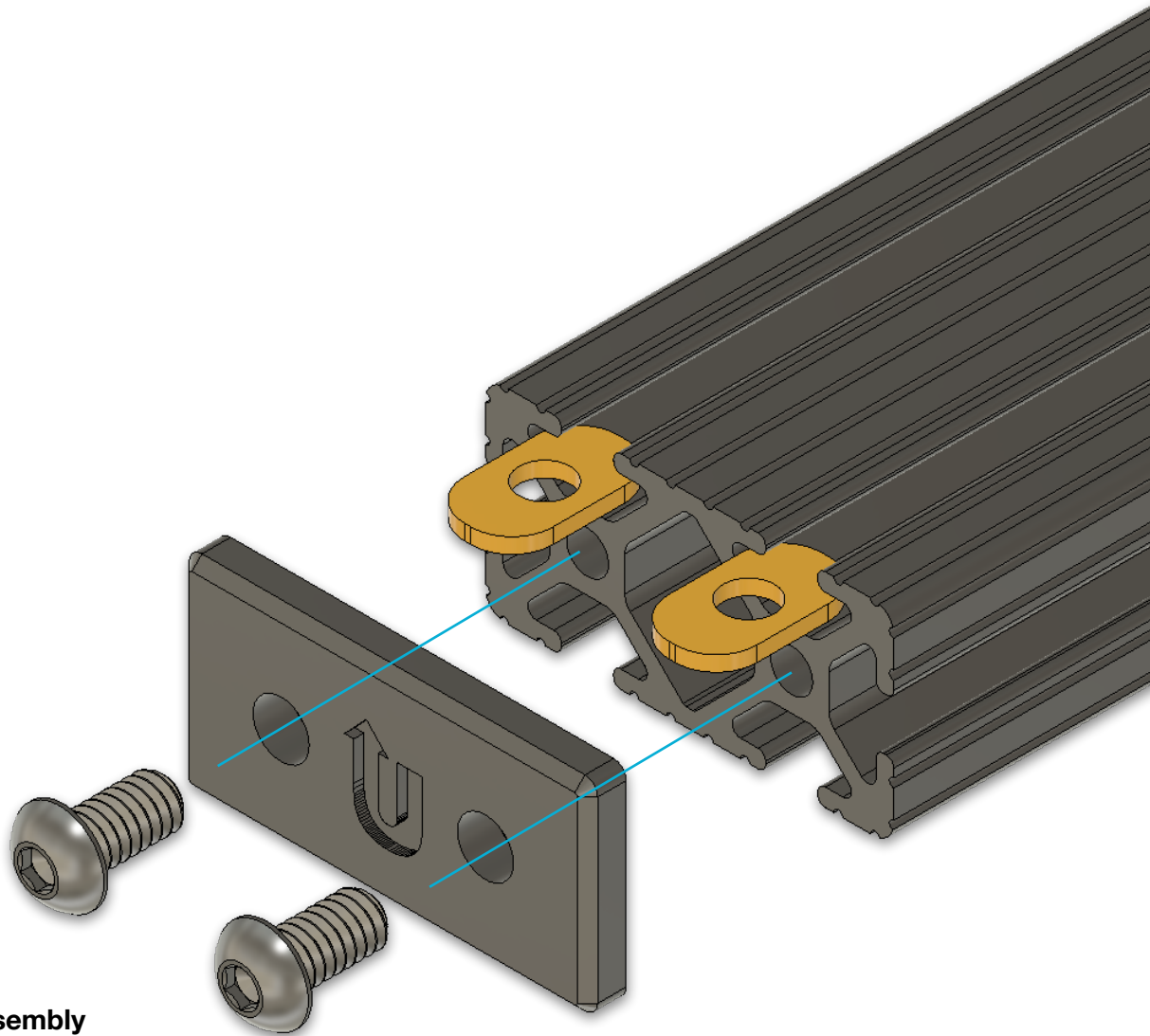
First Three Cross Bars

All of the cross bars in your kit are the same size. You will install the first three (3) cross bars into the mounting hardware attached to your cargo tracks. These three (3) cross bars will be the frame that your eX roof rack will bolt onto.

- Slide the cross bars into place as shown above. Putting them in this orientation ensures that all of the mounting hardware will be accessible after you have the rack properly placed on the roof of your cap.
- Please use this image to verify that you have your feet placed properly. If you need to re-arrange them now would be the time. Your foot assemblies should be identical to the image provided.
- The cross bars will attach to the threaded inserts mounted to the 4074 along the 1" tall side of the cross bar. The 2" wide sides should face the sky and the floor.
- Use a **tape measure** to center the cross bars on the cap (driver to passenger side).

SECTION 2 CAP/TOPPER

STEP 7



Cross Bar Assembly Hardware Bag Z8

Your eX roof rack sides will attach directly to your cross bars but first you need to install the threaded inserts, and retention caps to each of the cross bars in your kit.

- Using the hardware in bag Z8 install a pair of threaded inserts as pictured above to the end of the cross bar.
- Secure the retention cap with the screws. Use a 5/32 Allen wrench to fully tighten the hardware.
- Repeat the steps to add the inserts and retention cap to all the cross bars included with your eX roof rack. This step needs to be completed at both ends of your cross bar.
- It is perfectly acceptable to modify the retention caps to pass wiring through your cross bars. We are in development of a retention cap that will not require hardware and will have a factory opening in it to make routing wiring easier for you. Those should be available late 2023.

SECTION 2 CAP/TOPPER

STEP 8

Rack Body Placement

As a general rule you want your front and rear feet as far apart from each other as possible with the remaining set of feet placed somewhere close to the middle of the roof rack to ensure adequate support for larger items like roof top tents.

The following images show, shown from the **TOP**, the recommended cross bar locations for the three (3) lengths of eX ZULU racks in production. Try to align your mounting feet in your cargo channels to attain this spacing for best results.



ZULU 105.2 / 106.2

Total Length: 65.00"

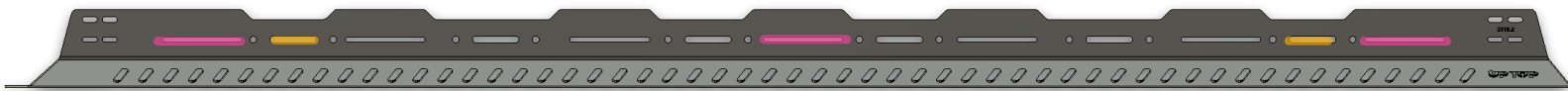
PINK locations are optimal, **ORANGE** are acceptable.



ZULU 113.2 / 114.2

Total Length: 72.00"

PINK locations are optimal, **ORANGE** are acceptable.



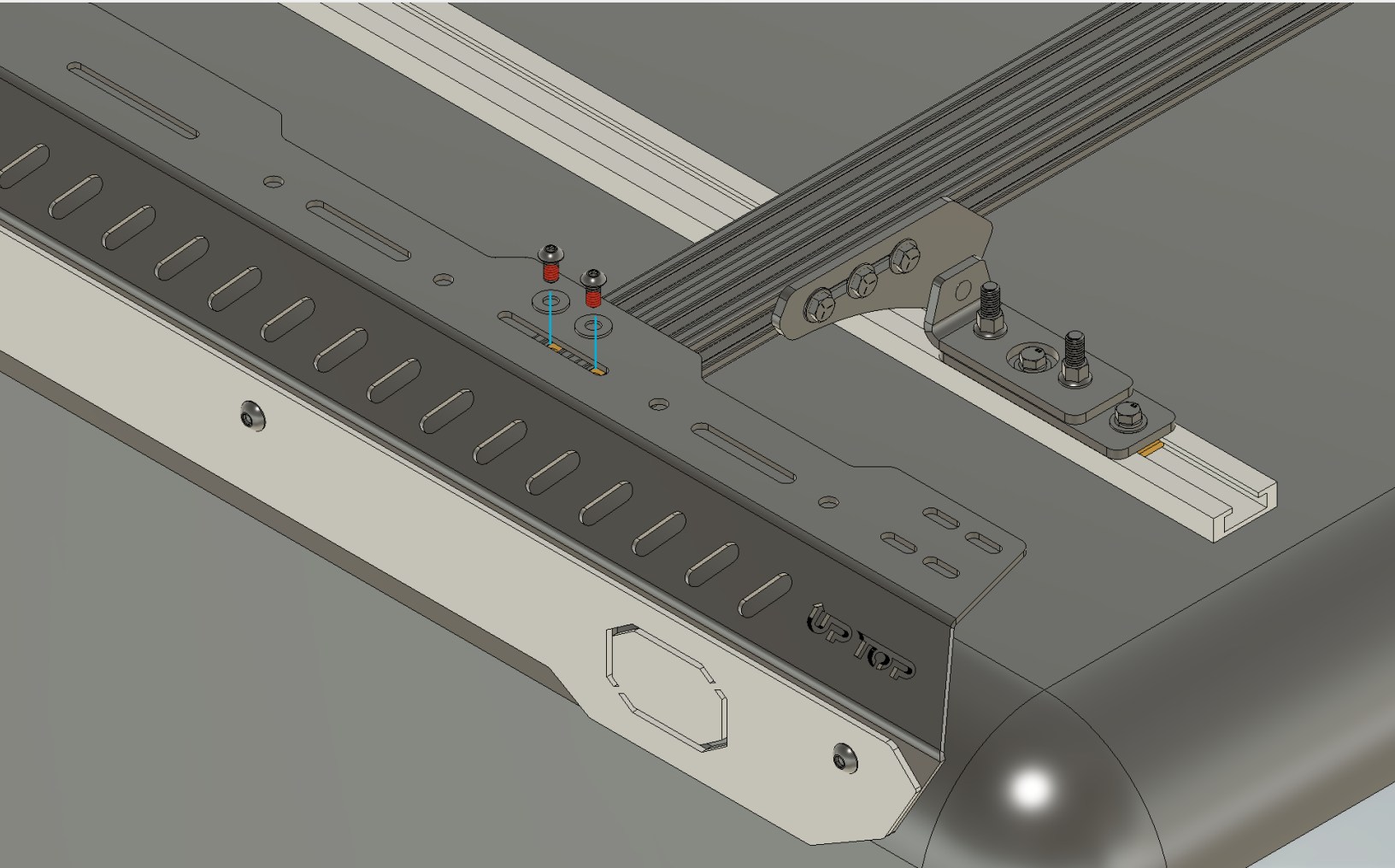
ZULU 115.2 / 116.2

Total Length: 78.5"

PINK locations are optimal, **ORANGE** are acceptable.

SECTION 2 CAP/TOPPER

STEP 8



Rack Body Mounting **Hardware Bag Z1**

The rack body sides will attach to the threaded inserts placed at the end of your cross bars.

Please ensure that the hardware has VC3 thread compound installed prior to installation.

- Using the hardware in bag **Z1** to attach the rack bodies to the cross bars making your best effort to use the slots indicated on page 26 for your respective eX roof rack length.
- Use a 5/32 Allen wrench to start the hardware. Tighten it enough to keep the rack body sides in place but leave it just loose enough to slide the rack body for final placement.
- Install the rack bodies for the driver and passenger side at the front, middle, and rear mounting locations.

SECTION 2 CAP/TOPPER

STEP 9



Rack Body Mounting Hardware Bag **Z1**

Load the eX ZULU roof rack with the remaining cross bars with the hardware from bag **Z1**.

Please ensure that the hardware has VC3 thread compound installed prior to installation.

- You can use any of the available slots along the top of your rack. Just make sure that the cross bars are placed evenly within the slot in relation to the driver and passenger side.
- Once you have them placed where you want them snug the hardware with the 5/32 Allen wrench.

SECTION 2 CAP/TOPPER

STEP 10

With all of the cross bars installed you are ready to make your final adjustments and tighten up the hardware to complete your rack assembly.

- Use a tape measure paired with visual confirmation (look at it) to make sure the rack is square on the cap of your vehicle.
- Adjust the front to rear to dial in the final resting place where you want it.
 - Be sure that you have adequate space between the eX ZULU roof rack and any cab rack you might have installed. We try to leave a gap of 1” minimum between a cap and roof rack to allow for vehicle frame articulation.
 - Check for interference with your cap rear and side windows to make sure they can operate freely without coming into contact with the roof rack parts.

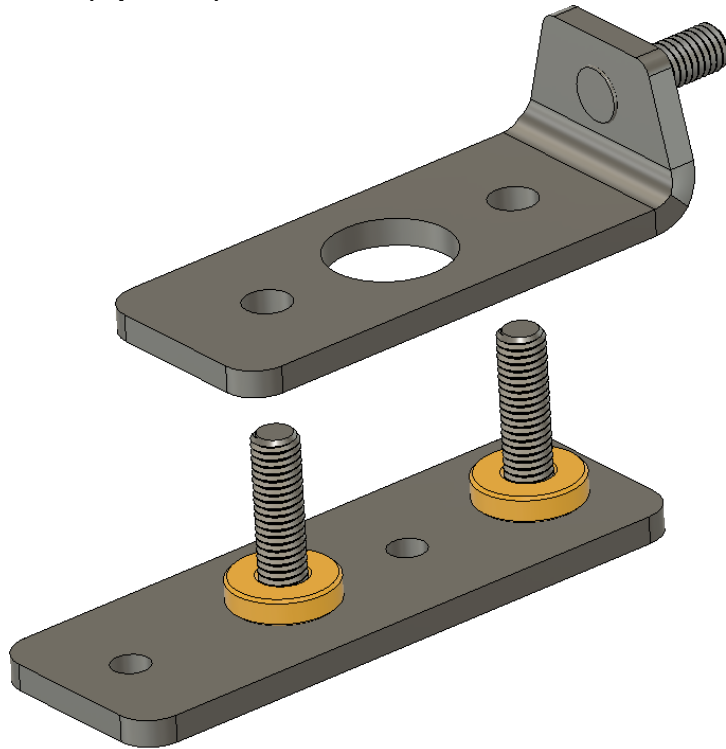
Once you are satisfied with placement you can tighten all of the hardware for final assembly. If you need to use the provided spacers please do not try to add them until after the rack assembly hardware is tightened fully.

If you intend to install the provided spacers to not fully tighten hardware from **Bag C** at this time. If you are satisfied with the height of the rack you can fully tighten the hardware along with the rest of it.

Hardware Bag ID	Function	Torque Specification (ft. LB)	Completed
Z1	Body to Cross Bars	3	
Z2	Wind Screen Cross Bar	Not Applicable	
Z3	Cross Bar Clamps	Not Applicable	
Z4	Clamp Assembly	Not Applicable	
Z5	Wind Screen	Not Applicable	
Z6	Grab Handle	6	
Z7	Ambi-Armor	6	
Z8	Load Bar End Cap	Hand Tight	
Z9	quickWIRE	2	
A (ETC)	4072 to Cargo	3	
B (ETC)	4074 to Cross Bar	3	
C (ETC)	4073 to 4072	3	
D (ETC)	4074 to 4073	3	

SECTION 2 CAP/TOPPER

Spacer Installation (Optional)



Leveling Spacers

Hardware Bag E, F, G

The spacers included with your kit can be stacked together for additional height as needed.

Please be sure that your final adjusted height allows adequate thread engagement for the locking flange nuts provided.

Bag E spacers are .125" (1/8") tall

Bag F spacers are .1875" (3/16") tall.

Bag G spacers are .500" (1/2") tall.

To align to a roof rack (if equipped):

- Measure the difference in height between the cross bars on your cab and cap. Add spacers **at all locations** to lift the eX ZULU cross bars to be even with your roof rack. If you do it one side at a time this can be achieved without removing the rack from the vehicle.
- Sit the cap rack back down carefully so as to not damage the threads.
- Re-install the locking flange nuts and tighten according to specifications provided on page 29.
- Ensure that the locking flange nuts are fully engaged on the threads.

SECTION 3
TRUSS Bed Rack

NOTICE

The following documentation covers the mounting of the eX Zulu roof rack (all lengths) to an upTOP™ TRUSS Bed Rack System. The TRUSS Bed Rack System is **NOT INCLUDED** with the purchase of and eX Zulu roof rack and must be installed to the vehicle prior to completing the steps outlines in **Section 3**.

If you intend to align the cross bars of your eX ZULU roof rack to a roof rack mounted on the cab of the vehicle you should have that cab rack installed prior and use it as a reference point for setting the final height of your ETM mounting kit. Most roof racks sit in a fixed position on the cab of a vehicle so it typically easier to use the ETM to dial in your cross bar height between a rack mounted to your bed rack and cab rack.

ETM

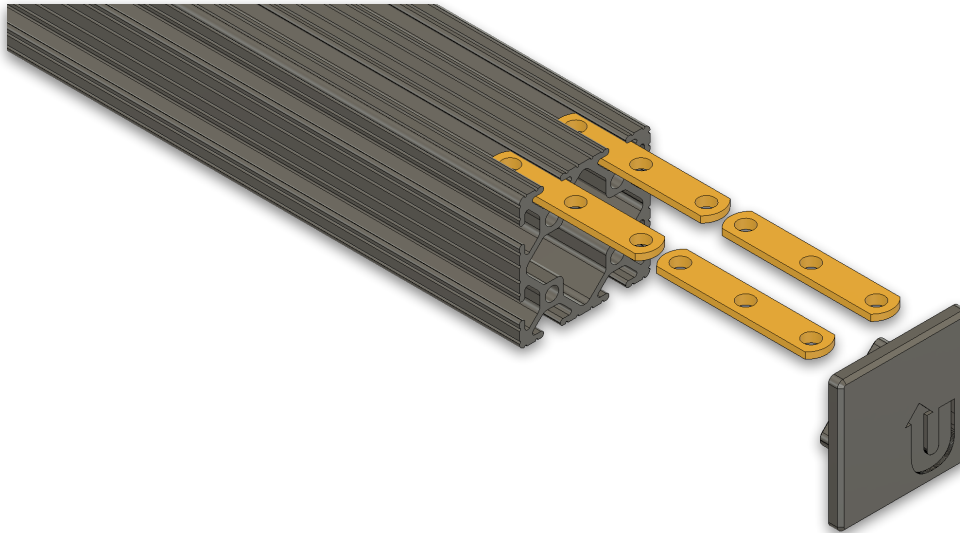
Part Number	Quantity	Description
4094	4	Topper Cargo Track Mounting Base M6x1.00 P Stud (2)
4095	4	Topper Cargo Track Anchor Plate 90 Degree Bend M6x1.00 P Stud (1)
9010	1	ETM Master Hardware Kit

9010 ETM Master Hardware Kit

Bag ID	Function	Torque (Ft. Lb)	VC3
A	Cross Bar Connection	3	Yes
B	4094 to 4095	6	No
C	4094 to 4095 Additional	3	No

SECTION 3 TRUSS Bed Rack

STEP 1



Placing the Threaded Inserts

You will need to temporarily remove the end caps from your TRUSS cross bars to install the threaded inserts as shown above. It doesn't matter if you have a 6 or 8 leg TRUSS, you need to remove the caps on the cross bars located at the FRONT and REAR of the truck bed. The ETM does not connect to any middle cross bars. Additional mounting bracket kits are available for purchase if you choose to use the middle cross bars on your TRUSS bed rack. Contact customer support for ordering information.

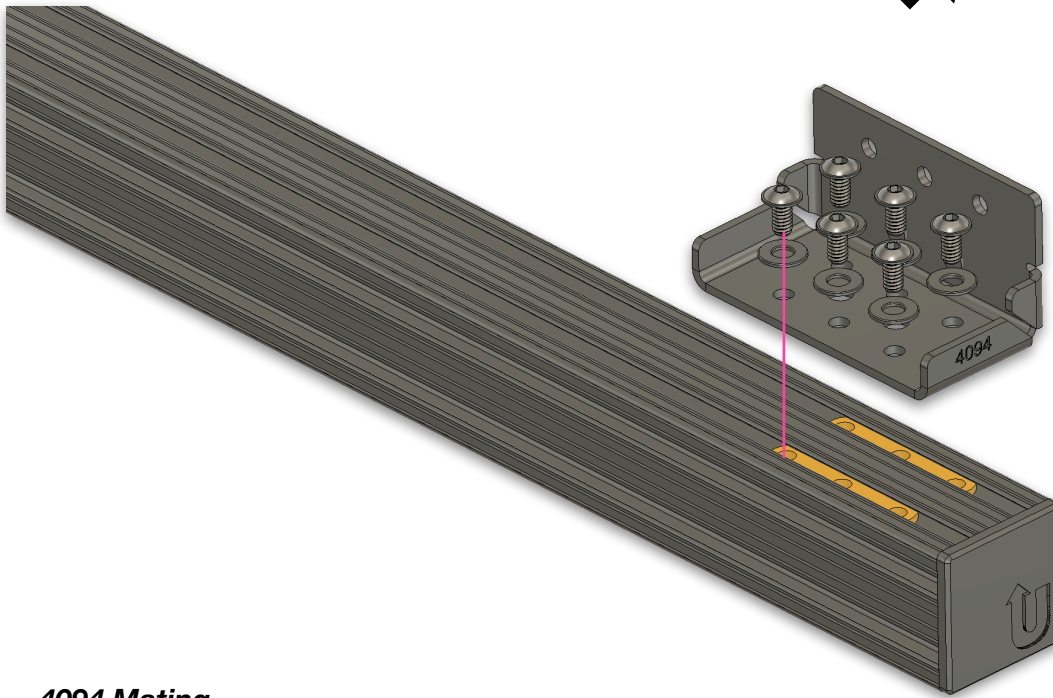
You do not have to remove the cross bars from the TRUSS to complete this step. Bed rack not pictured.

- Release the cap from one end of each of the two (2) cross bars. You can slide them across to the other side so there is no need to remove both ends.
- With the cap removed install two (2) threaded inserts into the upper slots as shown.
- Repeat the process with the other load bar (front or rear depending on where you started).

SECTION 3
TRUSS Bed Rack

STEP 2

**CAB OF
TRUCK**



4094 Mating
Hardware Bag A

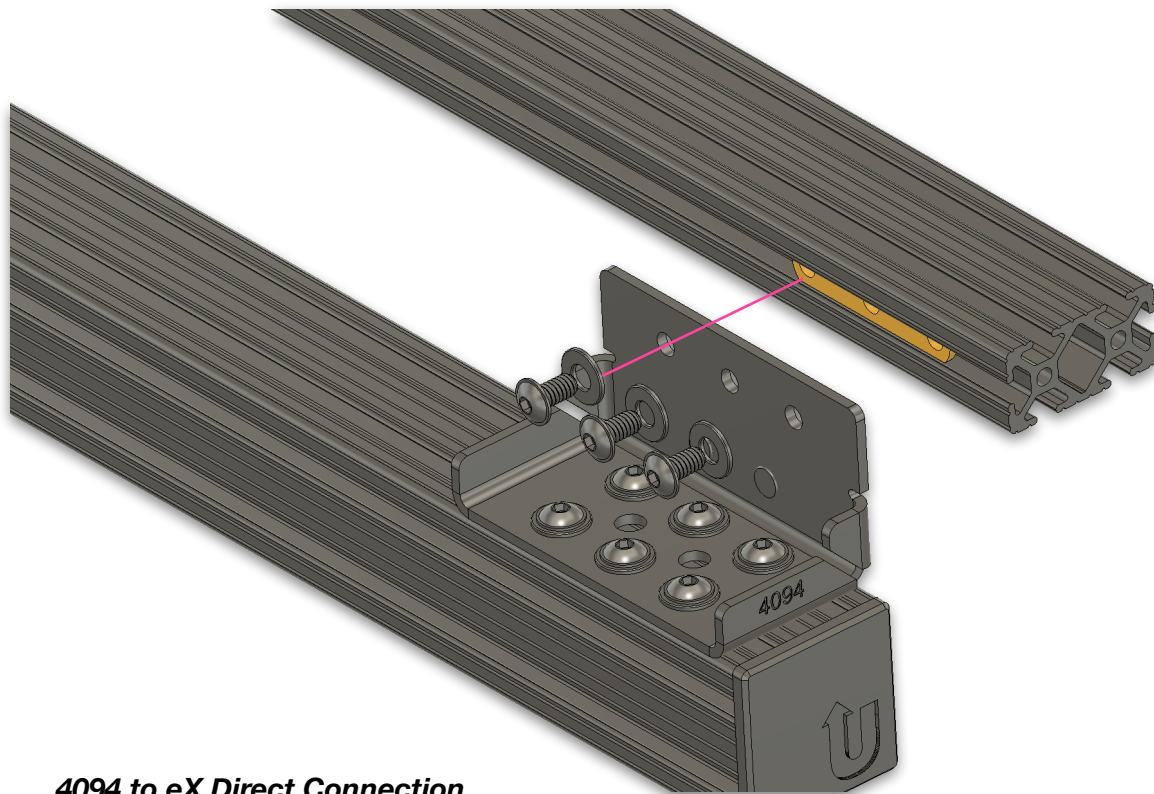
The 4094 brackets are the main connection point between the eX roof rack and your TRUSS cross bars. They will attach to the cross bars as indicated above. Each cross bar will receive two (4094) and you will want them as far apart as possible. This will depend on the width of the cross bars in your eX rack and TRUSS. Just use your best judgement allowing adequate space and keep them as close to the outside of the cross bars as you can.

- Be sure that you have already applied the VC3 thread compound and have allowed time for it to dry adequately before installing the hardware.
- Each bolt will couple with a flat washer. Each 4094 gets six (6) bolts.
- It's okay to start the hardware and leave it loose enough to slide the 4094 in the cross bar channel so that you can get a perfect position with the eX roof rack installed before final tightening.
- Use a 5/32 Allen wrench for the bolts we provided with the kit and install two (2) 4094 brackets to the front and rear cross bar of your bed rack. The folded flange with three (3) holes should always face the cab of the truck, not the tailgate.

SECTION 3 TRUSS Bed Rack

STEP 3

Before proceeding please measure the difference between the TOP of the cross bar on your roof rack (if equipped) and the TOP of the cross bar on your TRUSS. If the difference is 2" or so you can proceed by attaching your eX directly to the 4094 brackets. If you need more lift to get the eX roof rack cross bars even with your roof rack you will proceed by adding the 4095 brackets shown on the next page. Step 3 assumes you've checked the measurements and can employ only the 4094 brackets to have a level load platform between your eX and cab roof racks.



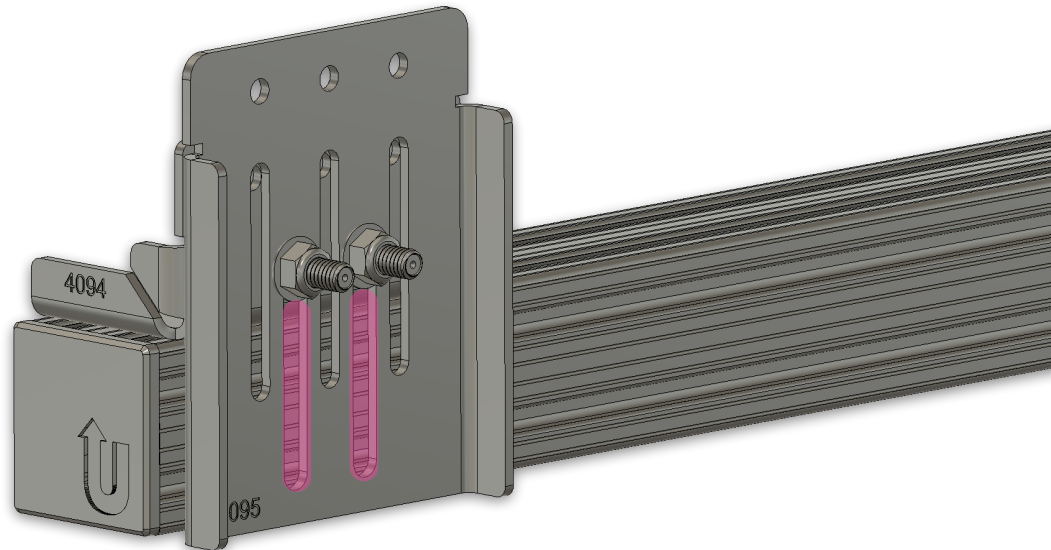
4094 to eX Direct Connection **Hardware Bag A**

- If you have already assembled your eX roof rack you will need to measure and target the two load bars that would center the eX rack over the bed of the truck. Remove the two cross bars and install two (2) threaded inserts into the short channel as shown above to each cross bar. When we install eX racks in house we assemble them on the bed rack a piece at a time so this guide assumes you are doing it the way we do.
- Align the cross bar to three(3) holes at the top of the 4094 and use a 5/32 Allen wrench to start the hardware. Do not fully tighten the hardware so that it is easy to slide the cross bars back and forth to center them over your bed rack.
- For proper alignment and hardware serviceability you should install the eX cross bars as shown on the side of the 4094 that would be closest to the cab of the truck. Please **DO NOT** install the cross bars so that they sit over top of the hardware used in STEP 2 as you will not be able to access the bolts to tighten and maintain them.

SECTION 3 TRUSS Bed Rack

STEP 4 (Optional)

This step assumes that you checked the math to be level with an existing roof rack and you need to additional lift provided by the 4095 plates. If you attached your eX roof rack cross bars directly to the 4094 brackets you can skip this step.



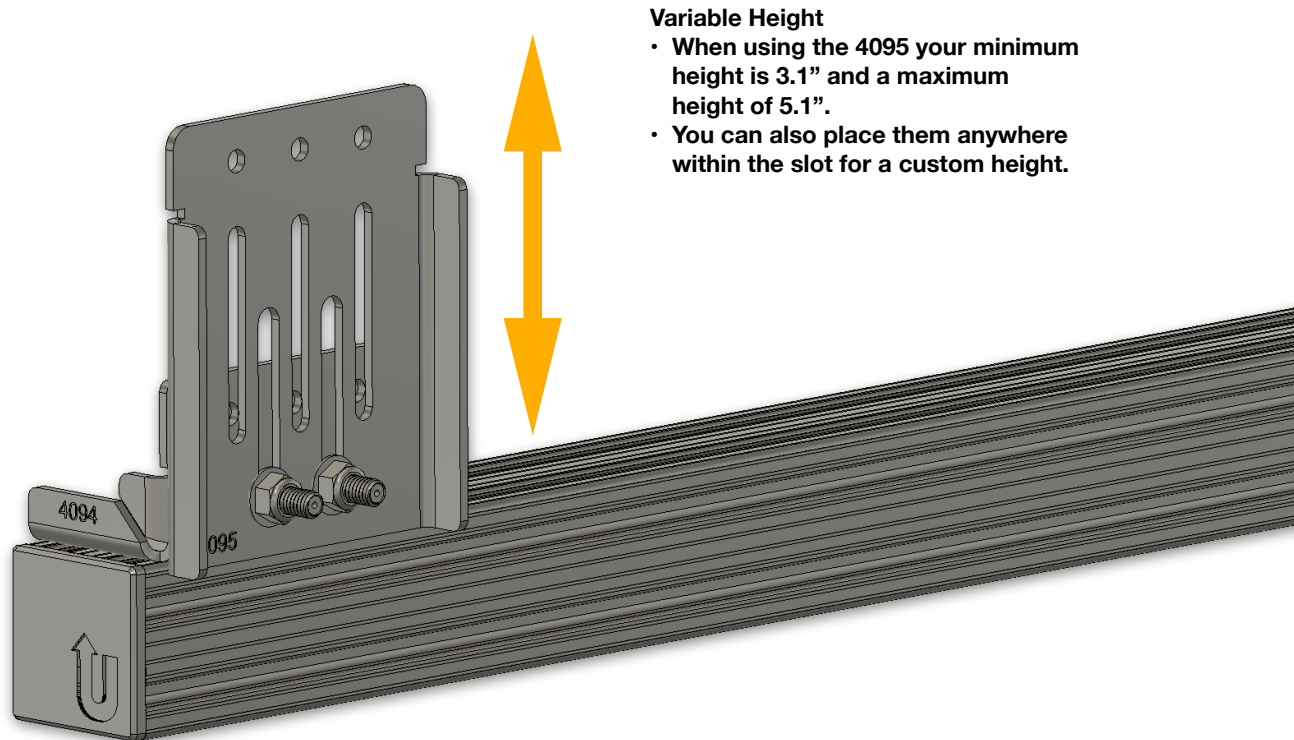
4095 Coupling Hardware Bag B

- Shown here in the lowest possible position the 4095 is attached to the 4094 via the machined slots shown in **PINK**.
- Align the 4095 slots over the studs in the 4094 and install a locking flange nut onto each stud. If you are sure about your desired height you can fully tighten the nuts. If you want to be able to adjust them with the eX roof rack installed leave them just snug enough to hold position when you slide the 4095 up and down. You'll use a 1/2" wrench for this hardware.
- The three(3) remaining slots are not currently used and will be discussed at the rear of this guide.
- Once you have all four (4) 4095 brackets attached to the 4094 we strongly recommend that you make your final measurements for desired height PRIOR to installing the eX roof rack. For reference measuring the top line of the 4095 shown in **GREEN** is the exact same height with or without a cross bar installed. The cross bars final resting position is dead even with the top of the 4095 to make it easy to get them exactly where you need them to be.

SECTION 3 TRUSS Bed Rack

STEP 4 (Optional)

This step covers height adjustment of the 4095 brackets. If you attached your eX cross bars to the 4094 brackets and will NOT be using the 4095 you can skip this step.



Variable Height

- When using the 4095 your minimum height is 3.1" and a maximum height of 5.1".
- You can also place them anywhere within the slot for a custom height.

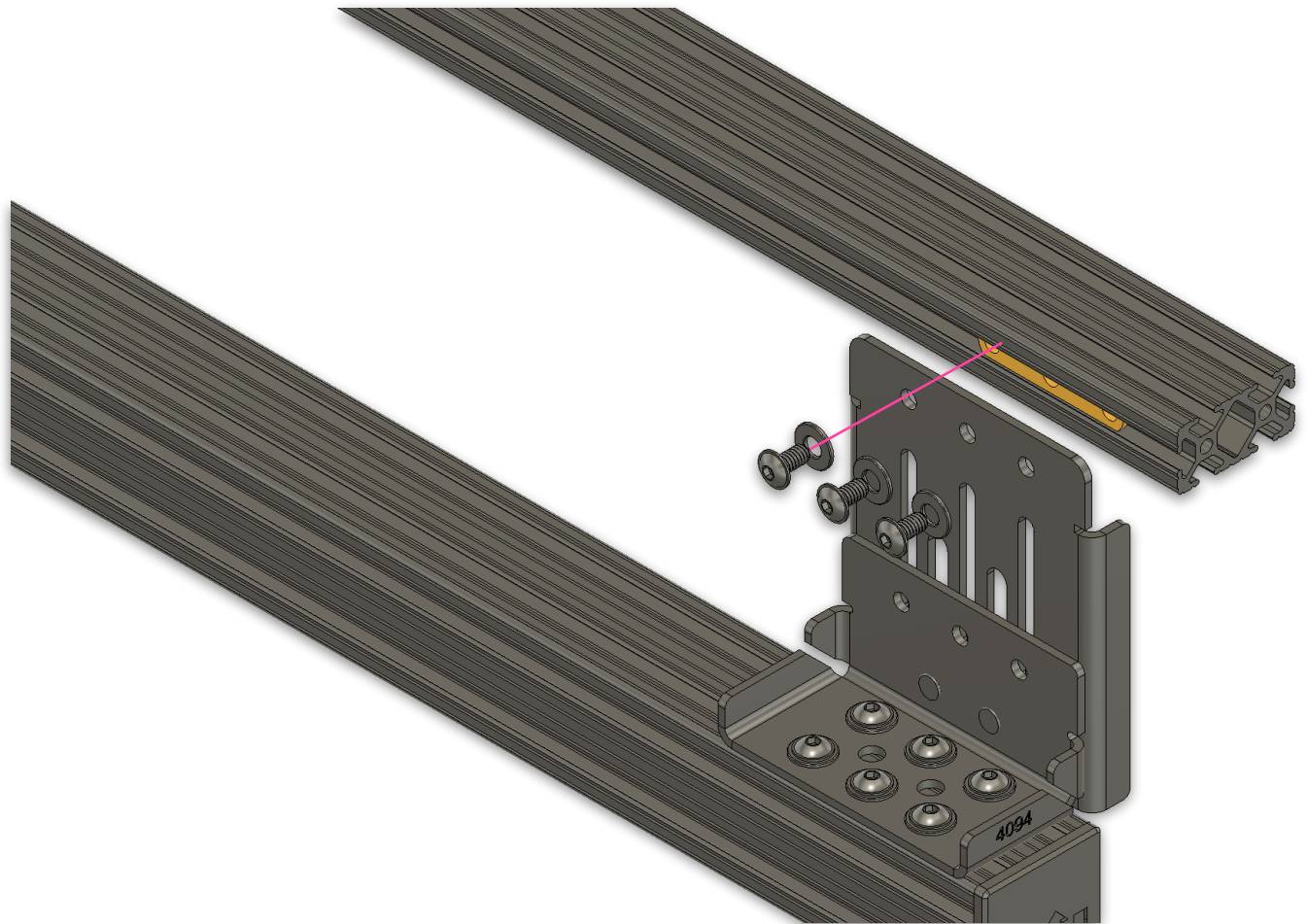
4095 Maximum Height

- Shown here in the highest possible position the 4095 can be extended to a maximum height of 5.1"
- Loosen the flange nuts with a 1/2" wrench and adjust the FRONT to 4095 brackets to the desired height. Once satisfied fully tighten the flange nuts.
- Measure the REAR 4095 brackets to set to the same height as the FRONT cross bar.
- Confirm by using a level between the front and rear cross bar to ensure you are where you want to be.
- If your vehicle has a suspension rake you can absolutely set the front and rear height differently to compensate for that just don't be mad when people laugh at you.

SECTION 3 TRUSS Bed Rack

STEP 4 (Optional)

If you are NOT using the 4095 brackets you can skip this step.



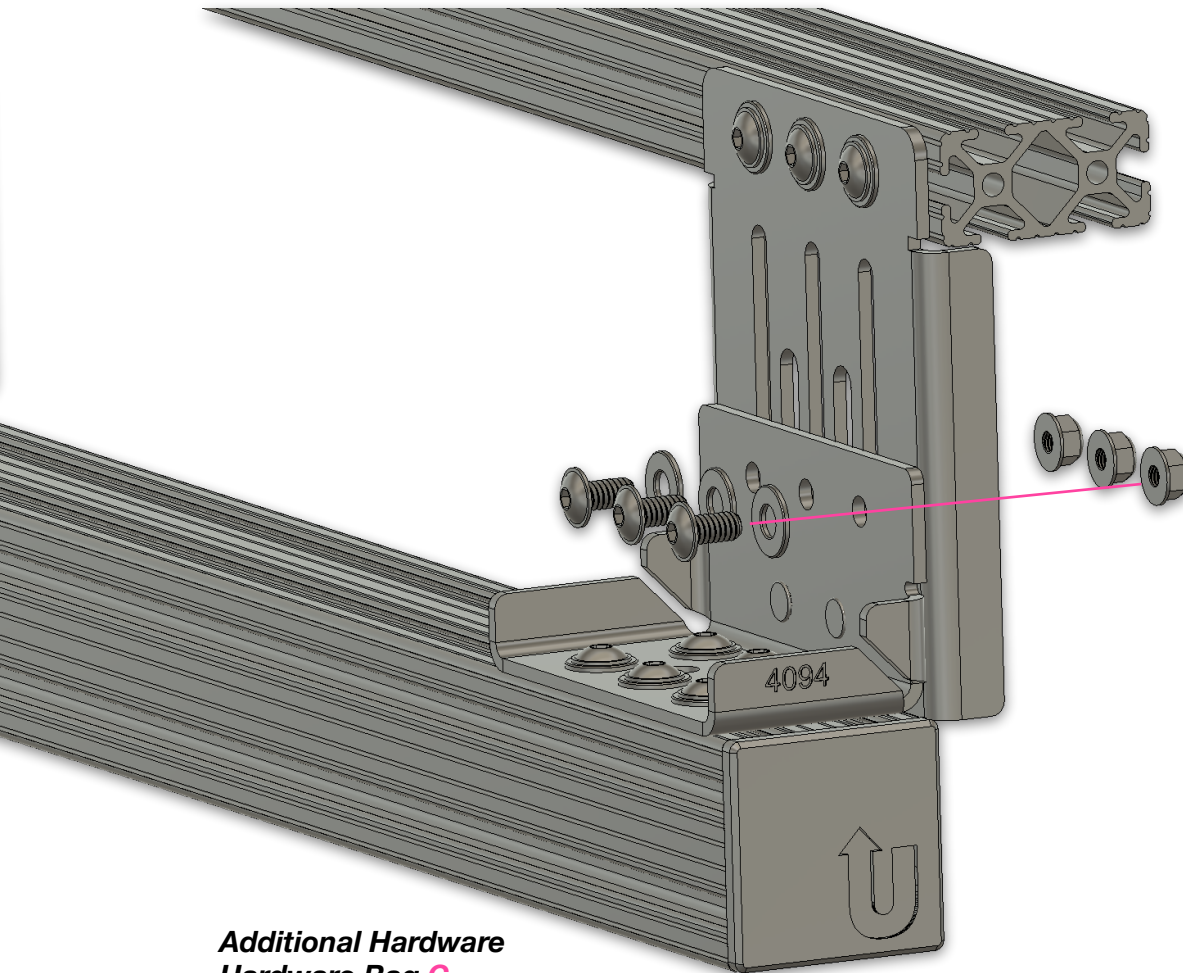
4095 to eX Connection **Hardware Bag A**

- If you have already assembled your eX roof rack you will need to measure and target the two load bars that would center the eX rack over the bed of the truck. Remove the two cross bars and install two (2) threaded inserts into the short channel as shown above to each cross bar. When we install eX racks in house we assemble them on the bed rack a piece at a time so this guide assumes you are doing it the way we do.
- Align the cross bar to three(3) holes at the top of the 4095 and use a 5/32 Allen wrench to start the hardware. Do not fully tighten the hardware so that it is easy to slide the cross bars back and forth to center them over your bed rack.
- For proper alignment you should install the eX cross bars as shown on the side of the 4095 that would be closest to the cab of the truck.

SECTION 3
TRUSS Bed Rack

STEP 4 (Optional)

This step applies only if you are using the 4095 brackets. If you are NOT using the 4095 you can skip this step.

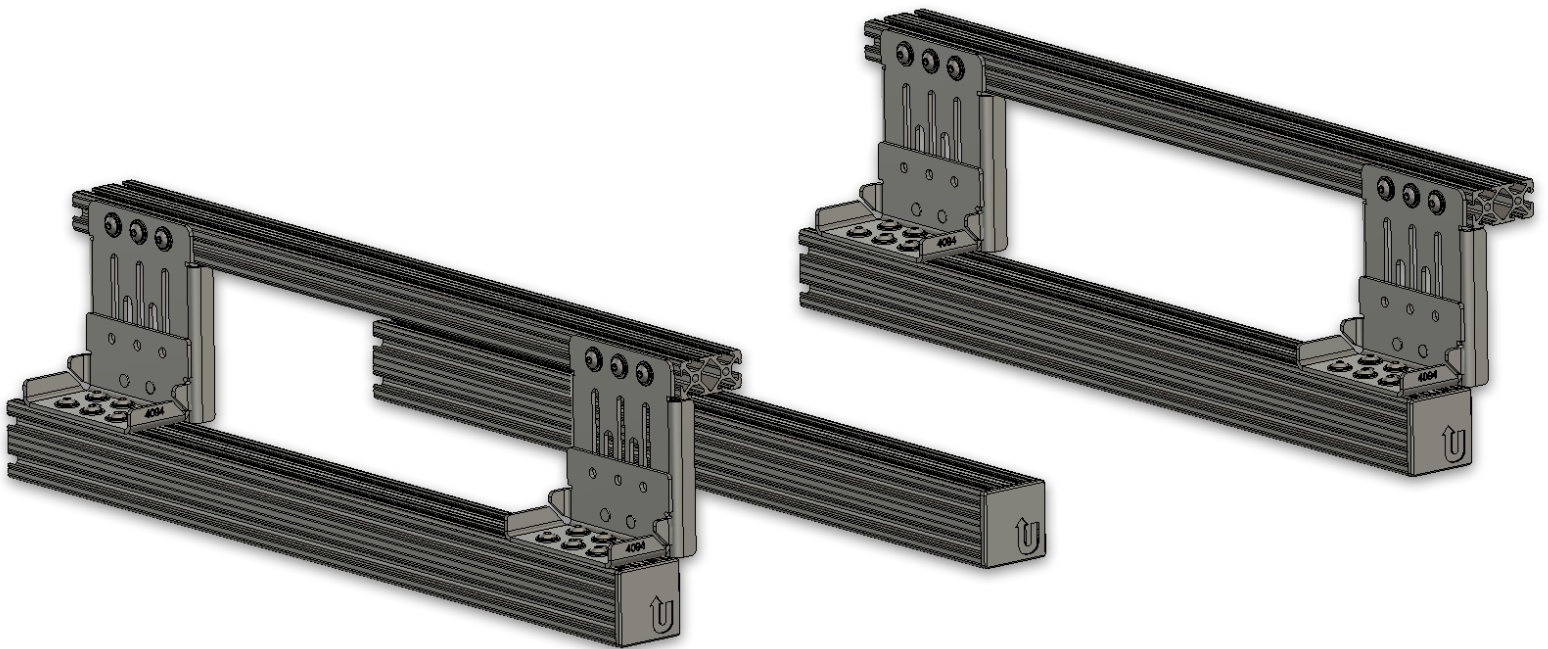


Additional Hardware
Hardware Bag C

- To fully secure the 4095 brackets to the 4094 bases once you have everything aligned and placed as you want you install the hardware as shown.
- The hardware will pass through the holes in the 4094 and align with the previously unused slots in the 4095.
- On the 4094 side you will use the bolts and flat washers. On the 4095 side you will use the locking flange nuts.
- You do not need VC3 for this hardware.
- Repeat the steps on the remaining 4094-4095 pairs and fully tighten all the hardware with a 5/32 Allen wrench and 7/16 wrench.

SECTION 3 TRUSS Bed Rack

If you did not use the 4095 extensions for additional height your progress will look different than this however the steps will be the same to complete the installation.



Final Assembly

- The illustrations used do not show the eX roof rack or TRUSS bed rack for clarity.
- With the ETM brackets installed you can make the final side to side adjustments to ensure the eX will be square atop the TRUSS bed rack.
- Once you've got everything into position you can fully tighten all of the hardware. Refer to chart on **page 31** for specifications for the hardware in your ETM mounting kit.
- You are now ready to assemble your eX ZULU roof rack.

SECTION 3 TRUSS Bed Rack

The mounting slots on your eX Zulu roof rack bodies are designed to perfectly align with several different versions of the TRUSS Bed Rack System.



ZULU 105.2 / 106.2

Total Length: 65.00"

PINK locations will align with 3 leg short bed TRUSS Bed Rack versions.

You should NOT install these part numbers on any other TRUSS Bed Rack versions



ZULU 113.2 / 114.2

Total Length: 72.00"

PINK locations will align with 3 leg **SHORT** bed TRUSS Bed Rack Systems

ORANGE Locations will align with 3 leg **LONG** bed TRUSS Bed Rack Systems.



ZULU 115.2 / 116.2

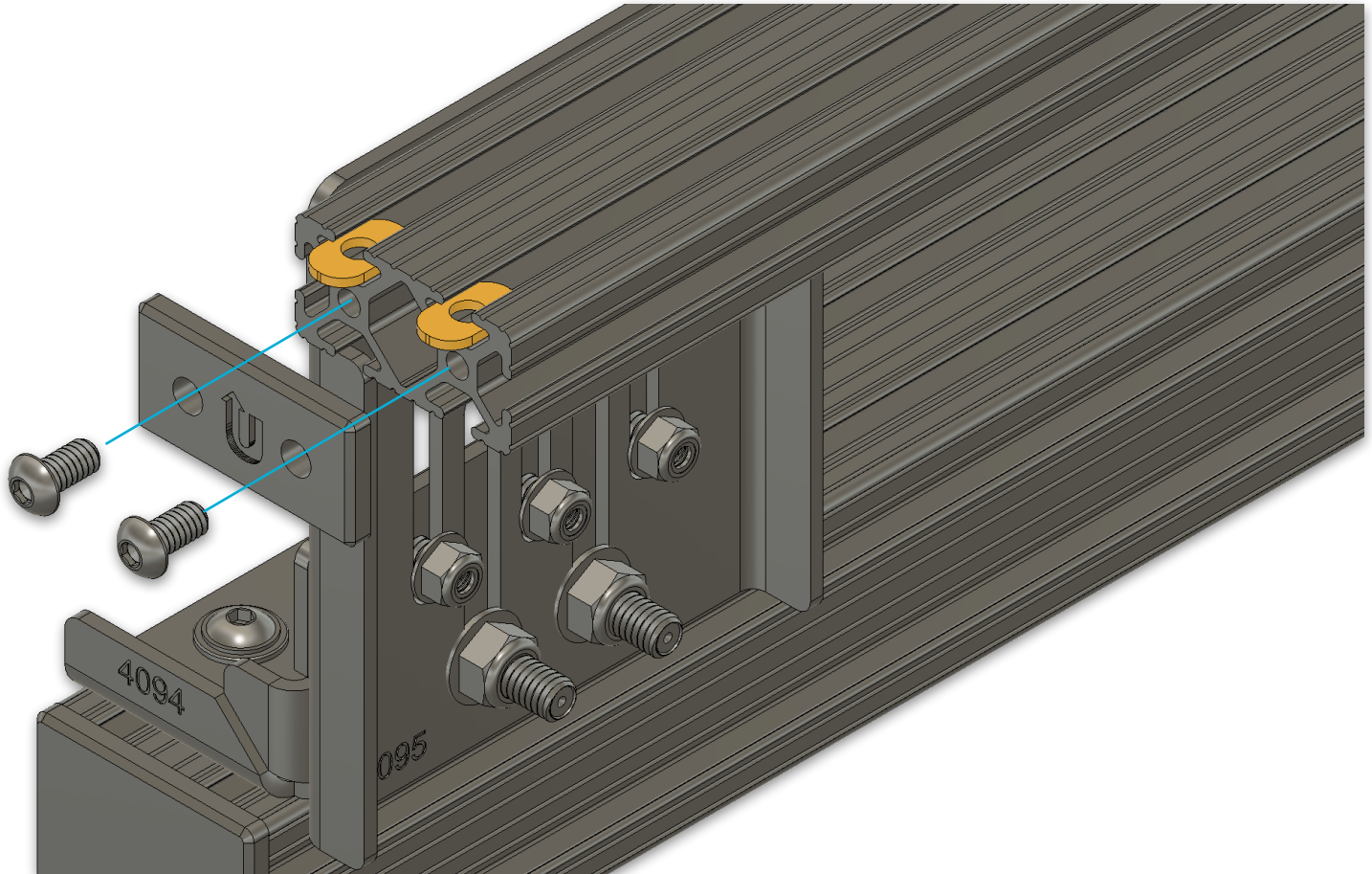
Total Length: 78.5"

BLUE Locations will align with 4leg **AFS** TRUSS Bed Rack Systems.

You should NOT install these parts to a 3 leg SHORT bed TRUSS Bed Rack System.

SECTION 3 TRUSS Bed Rack

STEP 5

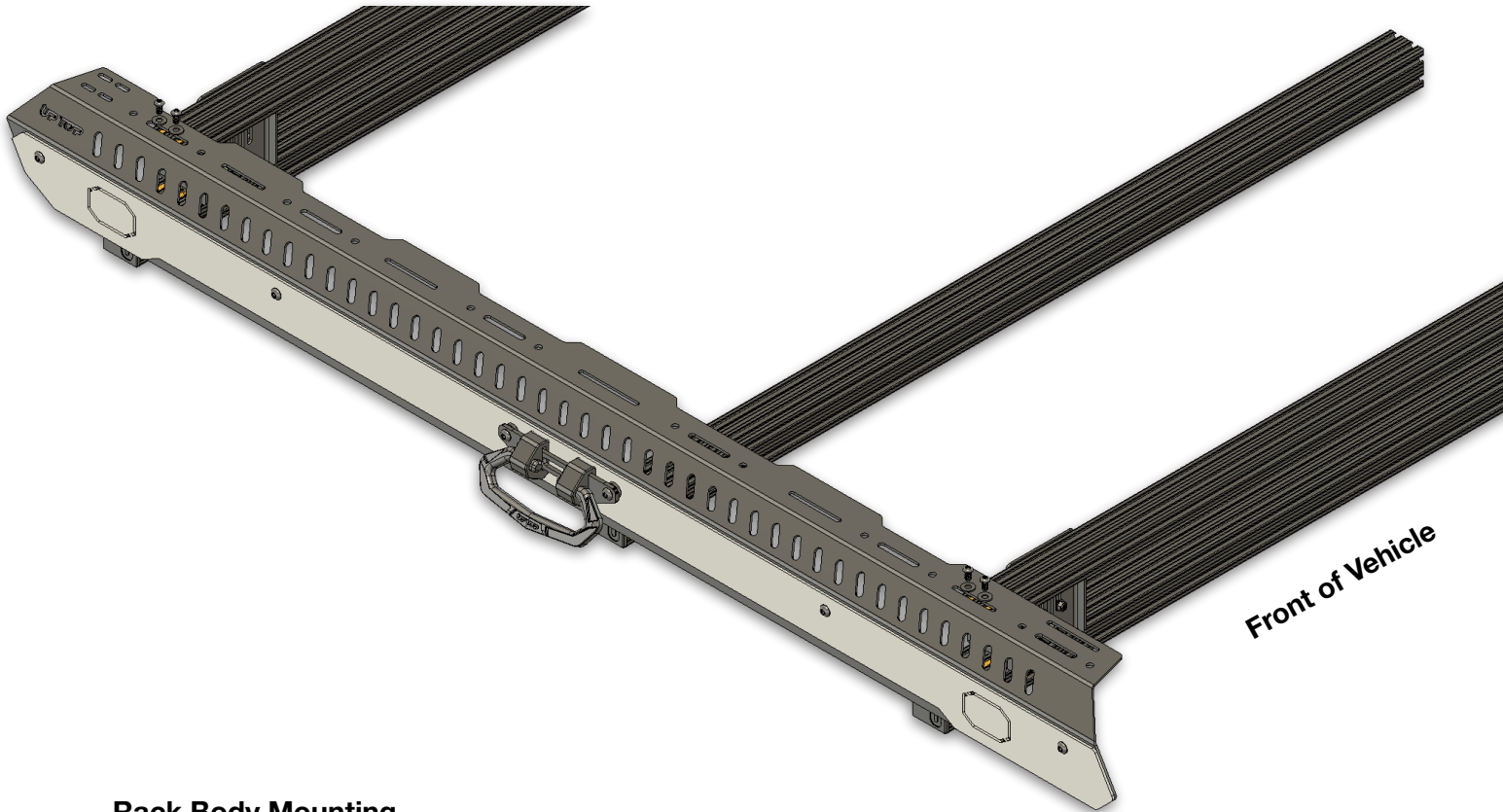


Cross Bar Assembly **Hardware Bag Z8**

Your eX roof rack sides will attach directly to your cross bars but first you need to install the threaded inserts, and retention caps to each of the cross bars in your kit.

- Using the hardware in bag Z8 install a pair of threaded inserts as pictured above to the end of the cross bar.
- Secure the retention cap with the screws. Use a 5/32 Allen wrench to fully tighten the hardware.
- Repeat the steps to add the inserts and retention cap to all the cross bars included with your eX roof rack. This step needs to be completed at both ends of your cross bar.
- It is perfectly acceptable to modify the retention caps to pass wiring through your cross bars. We are in development of a retention cap that will not require hardware and will have a factory opening in it to make routing wiring easier for you. Those should be available late 2023.

SECTION 3 TRUSS Bed Rack



Rack Body Mounting Hardware Bag Z1

The rack body sides will attach to the threaded inserts placed at the end of your cross bars.

Please ensure that the hardware has VC3 thread compound installed prior to installation.

- Using the hardware in bag Z1 to attach the rack bodies to the cross bars making your best effort to use the slots indicated on page 26 for your respective eX roof rack length.
- Use a 5/32 Allen wrench to start the hardware. Tighten it enough to keep the rack body sides in place but leave it just loose enough to slide the rack body for final placement.
- Install the rack bodies for the driver and passenger side at the locations indicated on **Page 40**. These locations will vary based on the eX Zulu rack you've ordered, as well as the TRUSS Bed Rack System that you have installed on your vehicle.

SECTION 3 TRUSS Bed Rack

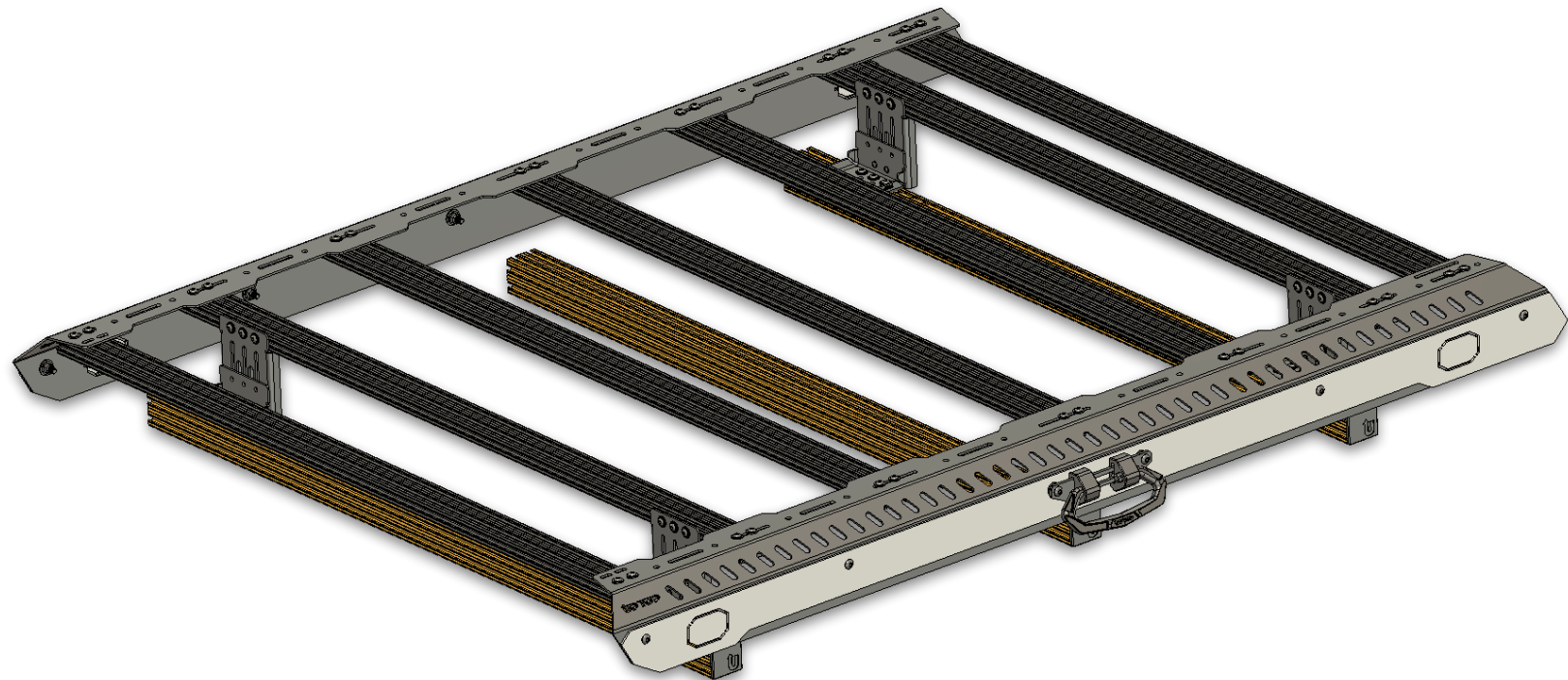


Birds Eye View

With the driver and passenger bodies attached to the cross bars that are mated to the TRUSS bed rack via the ETM mounting system you are ready to proceed with installing the remaining cross bars in your kit to complete the rack assembly.

- At this time you should be able to square the rack to ensure it is centered front to rear, and side to side. Make any final adjustments as needed to settle the eX ZULU roof rack to your liking.
- Tighten the hardware securing the bodies to the cross bars to set the position.

SECTION 3 TRUSS Bed Rack



Remaining Cross Bars

Use the hardware left from Bag Z1 and install the remaining cross bars that shipped with your eX ZULU roof rack.

- The cross bars can be placed in any available slot along the top of your rack bodies.
- To keep things square please make sure that the cross bars are placed in the same location on both sides of the vehicle.
- In this image the TRUSS cross bars are shown in **ORANGE**.

SECTION 3 TRUSS Bed Rack

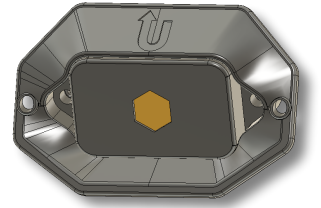
With all of the cross bars installed you are ready to make your final adjustments and tighten up the hardware to complete your rack assembly.

- Use a tape measure paired with visual confirmation (look at it) to make sure the rack is square on the cap of your vehicle.
- Adjust the front to rear to dial in the final resting place where you want it.
 - Be sure that you have adequate space between the eX ZULU roof rack and any cab rack you might have installed. We try to leave a gap of 1" minimum between a cap and roof rack to allow for vehicle frame articulation.
- Once you are satisfied with placement you can tighten all of the hardware for final assembly.

Hardware Bag ID	Function	Torque Specification (ft. LB)	Completed
Z1	Body to Cross Bars	3	
Z2	Wind Screen Cross Bar	Not Applicable	
Z3	Cross Bar Clamps	Not Applicable	
Z4	Clamp Assembly	Not Applicable	
Z5	Wind Screen	Not Applicable	
Z6	Grab Handle	6	
Z7	Ambi-Armor	6	
Z8	Load Bar End Cap	Hand Tight	
Z9	quickWIRE	2	
A (ETM)	Cross Bar Connect	3	
B (ETM)	4094 to 4095	6	
C (ETM)	4094 to 4095 Add'l	3	

SECTION 4 Lighting and Electrical

Optional-NOT INCLUDED



The optional **scenePOD™** can be paired with Baja Designs Rock lights and installed into the sides of your ZULU roof rack for ultimate trail and camp site visibility.

Your roof rack has the provisions for this option built in from the factory. You just need to remove the pre-cut area to make room for the pod by following the steps below.

You will need the following tools to complete this step: (Not Included)

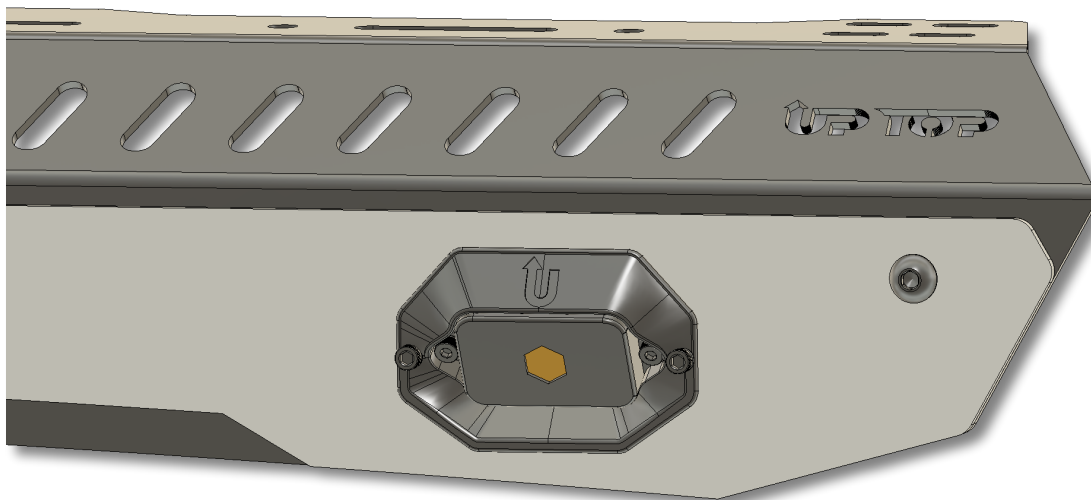
- Small snips and/or a small saw blade, as well as a file.
- Cordless drill
- 3/16" drill bit

If you haven't already, please refer to page 6 of this guide to identify the factory tabs that must be removed from your Ambi-Armor to make room for your scenePOD.

NOTE

Don't worry. The Ambi-Armor is aluminum and the tabs are very small. They are very easy to remove. Use the file to remove any burrs. The scenePOD is an exact fit in the hole. Any remaining tab will make the scenePOD hard to install.

- **With the material removed flip the rack assembly side over to access the factory cut screw holes found on the inner rack body. Use the holes as a guide and with the cordless drill and 3/16" drill bit drill through the inner rack body and completely through the Ambi-Armor at each location.**
- **Use the hardware provided with the Baja Designs rock light to install the light into the pod, and the pod into the rack body.**
 - The short screws will secure the rock light into the pod.
 - The longer screws along with the washers and nuts will be used to attach the scenePOD to the rack body.



SECTION 4 Lighting and Electrical

ELECTRICAL DISCLAIMER

It is the responsibility of the end user and/or installer to verify that all electrical circuits are properly fused and terminated to prevent damage to persons or property resulting from improper installation or product failure.

- **Verify all circuits with a digital multimeter prior to interfacing with circuit.**
- **Protect all aftermarket wiring and components from damage with appropriate sheathing, connections, and mounts.**
- **DO NOT** place lighting or electrical wiring in close proximity to heat producing sources like the engine or exhaust.
- **DO NOT** place lighting or electrical wiring in close proximity to mechanical or moving parts of the vehicle.
- **Use the proper fuse rating for all aftermarket wiring.**
- **DO NOT** interface with, modify, or defeat any factory installed safety systems when installing aftermarket lighting or electrical wiring.
- **Be sure that all lighting components are securely mounted to the vehicle and/or rack system to prevent them from coming free in the event of an accident.**
- **upTOP Overland does not provide any insight as to connection points, fuse requirements, or installation guidance for any products other than those manufactured by upTOP Overland.**
- **If at any time during the installation of any lighting or electrical products you feel uncomfortable in your abilities to complete the installation you are encouraged to seek professional installation from an authorized service center.**
- **Vehicle electrical systems can produce or operate on DC and AC current as well as critical data systems that are not compatible with aftermarket products.**
- **Consult your automotive dealer or work shop if you have questions about aftermarket product compatibility regarding lighting and electrical products.**

SECTION 5

General Information

Product Care

Your ZULU roof rack is produced with aluminum, stainless steel, mild steel, urethane, and polyethylene plastic. You should wash and maintain the roof rack in the same manner that you maintain the exterior of your vehicle avoiding harsh chemicals and abrasive cleaners to protect the finish.

Powder coated finishes are designed to be durable but are not indestructible. Normal use of the roof rack can result in wear and tear to the finish of the roof rack. Damage to surfaces and components due to normal use are not subject to warranty replacement.

Aluminum parts do not rust or corrode. The stainless steel used in our products does not rust or corrode. Mild steel components can develop surface rust in worn areas that is easily remedied with a bit of touch up paint. Clean the affected area, allow to dry, and apply an automotive grade touch up to the areas to prevent corrosion in those areas. Scuffs, scratches, and chipped parts not reported upon product arrival, and after the product is installed to the vehicle are not subject to warranty replacement.

Hardware corrosion due to environmental factors such as close proximity to salt water are not eligible for warranty replacement. If you live in these areas you should familiarize yourself with steps that can be taken to limit corrosion in these environments. Open request we will provide specific details allowing you to source replacement hardware yourself or we can assist you in placing an order directly with us for replacement hardware that is compatible with your product.

Shipping Damage

Our packaging is certified for use at designated weights by all major carriers. If your package is damaged upon delivery you can choose to refuse the package OR you can accept the package noting the damage to the parcel. Refused shipments will be accepted, inspected and shipped back to the address on file. Any additional shipping charges incurred from refused shipments are the responsibility of the recipient. Open and inspect the contents as quickly as possible and report any shipping damage via email to support@uptopoverland.com using your order number as reference and include as many images as you can to support the claim. We will work with you to remedy the damage either through assistance in filing a damage claim with the carrier or replacing damaged parts at the sole discretion of upTOP Overland.

General Maintenance

It is the responsibility of the end user to inspect and maintain the product at regular intervals to ensure that the product is safe to use. Repair or replace worn or damaged parts as needed. Replacement parts can be sourced by contacting support@uptopoverland.com. Please include your original order number to expedite the process.

Contact Information

upTOP Overland
2278 Manatt Court
Unit C11
Castle Rock, Colorado 80104
720.730.6381
support@uptopoverland.com

Do your part. Our company is founded and staffed by outdoor enthusiasts that understand how fragile our planet really is. The most important message that we can impart to you about enjoying our open spaces is to leave them better than you found them. Don't be a dick. Pick up after yourself. Pick up after others that don't and when possible educate them as to why they should. Stay on designated trails, camp sites, and pathways. If you take it with you, bring it back with you. There are no excuses.

Manufacture responsibly. We strive to produce an American made product that will perform as intended for many years and we try very hard to do that with locally sourced materials from other small businesses because relationships matter to us. When absolutely necessary we will import components for our products from other countries and we maintain strict guidelines for the companies we work with to ensure that their employees are treated with dignity and respect.

Lifetime warranty. As over-engineered as some of our products can be eventually something will break. We will repair or replace at our discretion any product found defective due to manufacturing deficiencies. This warranty does not cover abuse, misuse, neglect, ignorance, or damage caused from exceeding the recommended weight loads of the product. This warranty covers only products manufactured or used in the manufacture of upTOP Overland products. Third party products purchased from upTOP Overland are subject to the origin company the product was sourced from.

Content sharing. We love to see all the pictures and videos of our stuff in action on your rig. You can share the content via email and/or social media 24/7 and if we share it with our audience we will credit the photographers and vehicle owners whenever possible.

upTOP Overland is a US based manufacturer of off road products operating out of Colorado. All information contained in this material is the intellectual property of Relic Automotive Design, dBA upTOP Overland. Duplication, alteration, or distribution of this material without express written permission from upTOP Overland is forbidden. Just. Don't.