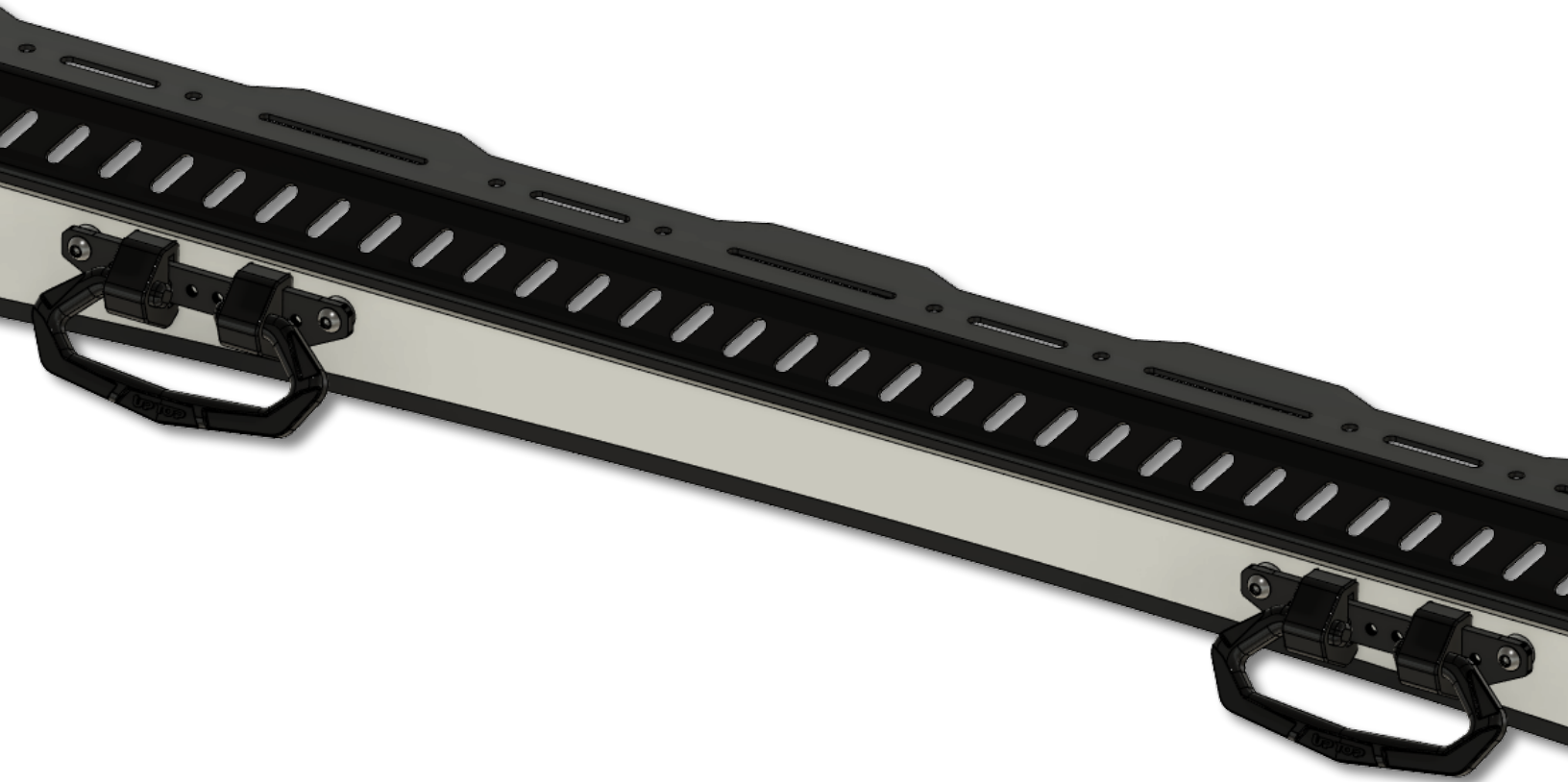




ZULU >

Toyota Tacoma
• Double Cab
• 2005-2023



Based in Colorado, USA

Ph 720.730.6381

support@uptopoverland.com

OUTDOOR TO THE CORE

Four years ago we produced a roof rack like nothing anyone had ever seen. Now our racks roam all over the world taking on adventure and keeping your gear at the ready upTOP, right where it belongs.

We have always been a company based on innovation. We had to make hard decisions between mass production and staying true to our beliefs delivering products that are rugged enough to explore places few have ever seen that also enhance the appearance of your vehicle.

Pioneering things that just made sense in our minds we came up with ways to reach things on the racks and put lighting where you would need it. We gave you color choices in a world full of black racks and wind screens that let you drive in peace with no noise.

We ask ourselves all the time “What do we actually do here?” A lot of energy goes into answering that question because it changes so often. The more people we meet the more we get feedback and input about the things that travel with you on your adventures.

The product in this package had to happen. The path was laid out in front of us the day we posted our first picture to a forum. We just didn't see it then.

This Zulu™ roof rack takes everything we've learned and results in increased utility allowing more products than ever to be securely mounted to your rack. The completely redesigned wind screen provides enhanced aerodynamics so the only thing you hear on your trip is your favorite music. Material selection for construction brings you an industry first stainless steel rack body for unmatched rigidity that will last a lifetime in harsh environments.

What started as a company that made products for people that love to off-road has transitioned into a company that provides solutions for camping, fishing, hiking, biking, and more. We are and will always be outdoor to the core.

ZULU™ DNA

- *Stainless steel three dimensional body construction for perfect fit and finish.*
- *Formed windscreen allowing you to choose if you want lighting or not.*
- *Version 2 grab handles that are easy to install and convenient to use.*
- *quickWIRE ready so your lighting is always reliable.*
- *Black stainless hardware for a clean appearance.*
- *Your choice of color for the outer armor. Be stealth or make a statement.*
- *Adjustable load bars to make mounting gear quick and easy.*
- *scenePOD™ ready for easy integration of side mounted trail and camp lighting.*

PRE-APOLOGY

This comprehensive guide contains a great deal of information about the assembly, installation, and customization of your roof rack.

We provide all of this content because you just never know how comfortable someone is doing things themselves and we want to make sure that you have all of our experience at your fingertips to make the process as simple and stress free as possible. There is also the chance that you are tackling the installation on the weekend and we might not be available to assist you. Instead of wasting your time we packed this guide with detailed illustrations and notes to have you on the trail in no time.

So there you go. I'm sorry in advance that this guide is so big. It's not intended to be intimidating but instead a resource guide written by the guy that designed your roof rack to ensure that you have access to all the things I know about our products and building world class adventure vehicles.

I would love your feedback about the material contained here, the presentation of the information, and ease of use (or lack there of). It's an incredibly difficult task to format our instructions in a way that people from different skill levels and backgrounds can find useful.

Thanks for choosing our company,

**Micah Williams
Engineering/Product Development
upTOP Overland**

TABLE OF CONTENTS

Section 1-Rack Side Assembly

Section 2-Vehicle Preparation

Section 3 (A/B)-Mounting Feet & Cross Bars

Section 4-Rack Body and Wind Screen

Section 5-Lighting

Section 6-General Information

WHAT'S IN THE BOX:

PART NUMBER	DESCRIPTION	QUANTITY
Z101	Driver Side Inner Body-Formed Stainless Steel Black	1
Z102	Passenger Side Inner Body-Formed Stainless Steel Black	1
Z201	Outer Armor-Ambi	2
Z801	Wind Screen	1
Z801NC	Wind Screen Adaptive Blank Insert	1
LB47	Cross Bar-Rack Body	6
LB50	Cross Bar-Wind Screen	1
Z601	Base Foot	6
Z602	Cross Bar Clamp	6
UT-GRB-KTA-001	grabHANDLE v2.0 Kit	2
Z10001	ZULU Master Hardware Kit	1
7000.4	Rack to Roof M6x1.00 40mm	1
7000.5	Rack to Roof M6x1.00 55mm	1
Spacer 625	Short Aluminum Spacers .625" (5/8) Used at Middle and Rear Mounting Locations.	6
Spacer 125	Tall Aluminum Spacers 1.25" (1 1/4) Used at Front Mounting Location.	4
4105	Injection Molded Rack Spacing Tool-Orange	4

ADDITIONAL PARTS:

- Some lighting configurations will arrive with additional mounting brackets and/or hardware not listed above depending on your order selections. Refer to the LIGHTING (Section 5) area in this guide for more information.



The VC3 thread compound provided with your kit requires time to air dry prior to installation. Feel free to separate and apply the VC3 to all bolts in the following hardware now so that it is ready when you are:

Bags Z1, Z2, Z3, and Z5 all require VC3 on the bolts.

TOOLS REQUIRED

TOOL	REQUIRED FOR YOUR APPLICATION
5/32" Allen L Key	Yes
3/16" Allen L Key	Yes
1/2" Wrench	Yes
7/16" Wrench	Yes
4mm Allen L Key	No
5mm Allen L Key	Yes
6mm Allen L Key	No
10mm wrench	No
Cordless Drill	Optional-scenePODS
Rubber Mallet	Optional-Drip Rail Gaskets
Taper Punch 19mm (3/4")	Optional-Drip Rail Gaskets
Hand Rivet Gun (1/8" Mandrel)	No
Silicone Sealant/Applicator	Yes
Masking Tape	Optional-Recommended

Mallet/Punch (Optional)

- Some drip rails can be punched allowing spacers to nest inside for cosmetic reasons.
- Not a required step on any vehicle.
- The punch is available for purchase on our website under the "parts" tab if you would like one. You can also get them on Amazon.

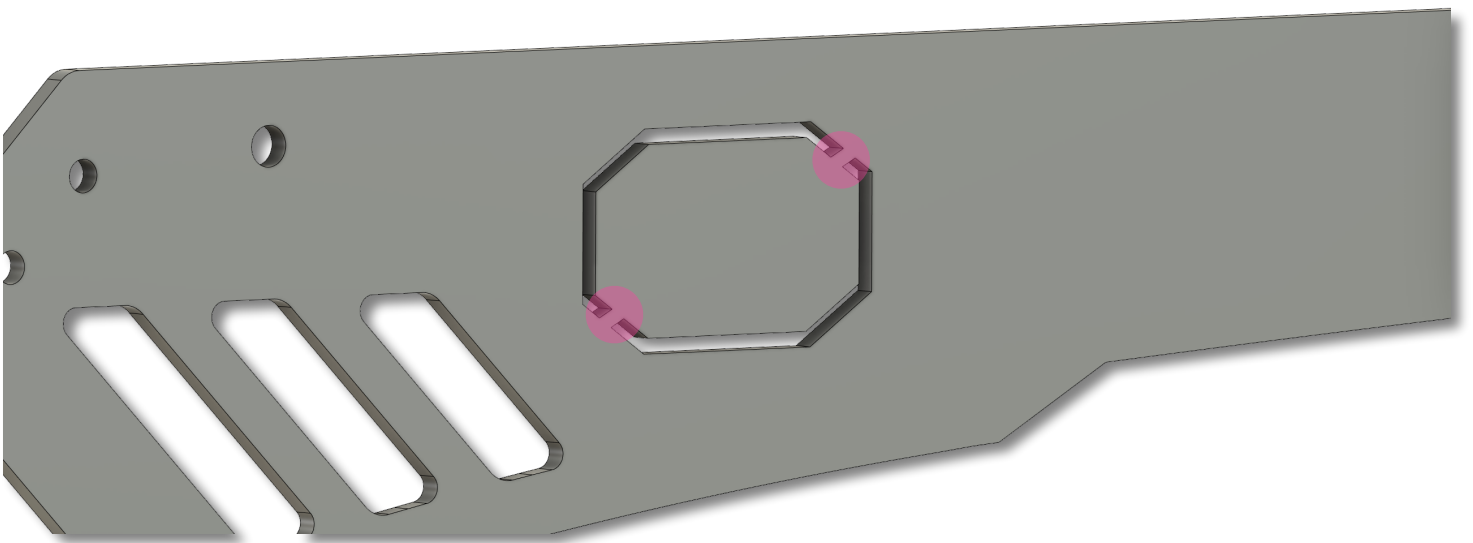
Silicone Sealant (Required)

- Used to weatherproof hardware locations in some applications.
- RTV/Tub/Tile
- Color does not matter.

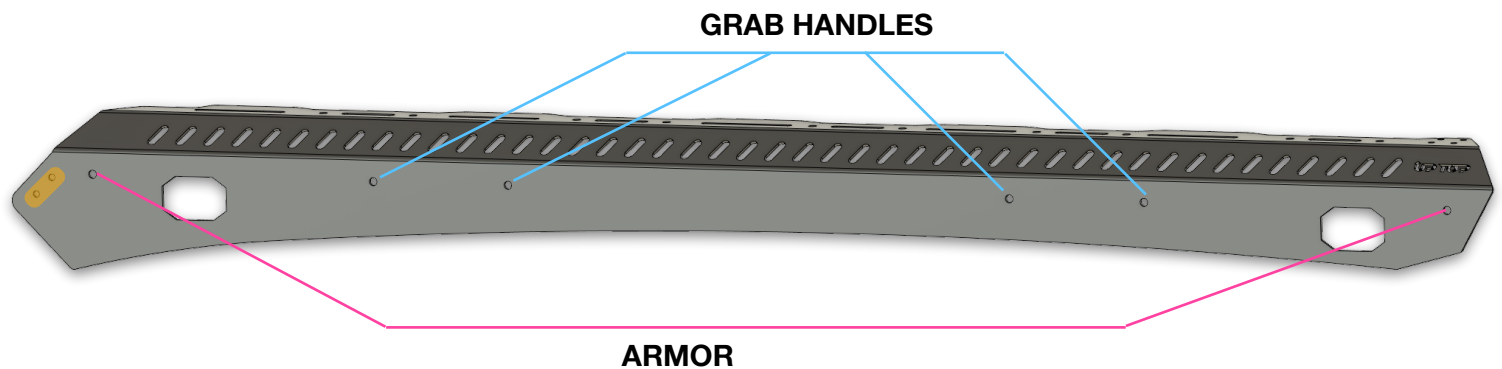
SECTION 1 RACK SIDE ASSEMBLY

PRE-INSTALLATION NOTES

- If you will be installing our optional scenePOD side lighting along with your roof rack you will want to remove the factory knockouts in your ARMOR prior to assembly. Much easier to accomplish before mounting to vehicle.
- Since they are hidden the scenePOD holes in your inner rack body are removed at the factory.
- You can use a file, small saw blade, etc...to trim the two tabs indicated in **PINK**.
- Repeat for each location you intend to place a scenePOD.
- For more information on installation of scenePODS and rock lights please refer to **Section 5**.



SECTION 1 Rack Side Assembly



The driver and passenger side of your roof rack will be assembled off the vehicle to include:

- **Armor**
- **Grab Handles**
- **scenePODS (Optional-If Equipped)**
- **quickWIRE (Optional-If Equipped)**

In this step you will attach the armor to the inner rack body. You will also assemble and install your handles. You can also install scenePODS and/or quickWIRE harnesses if you ordered them with your roof rack.

- **The grab handles will attach to locations indicated in Blue.**
- **The armor front and rear connection locations indicated in Pink.**
- **The two (2) small holes indicated in Orange at the front are used later for your windscreen.**

You can always add scenePODS and wiring to your rack at a later time if you choose to. Refer to the lighting and Electrical (section 5) portion of this guide for information on how to complete those steps.

The handles will need to be assembled prior to installation on the rack. We will cover those steps first.

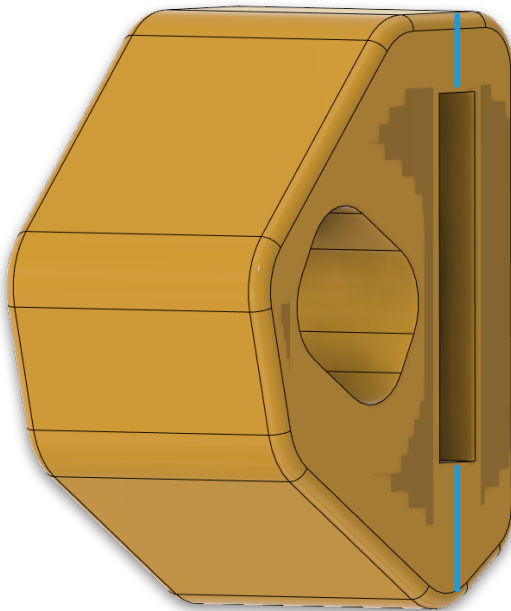
SECTION 1

Rack Side Assembly-Handles



GRIPPER ORIENTATION

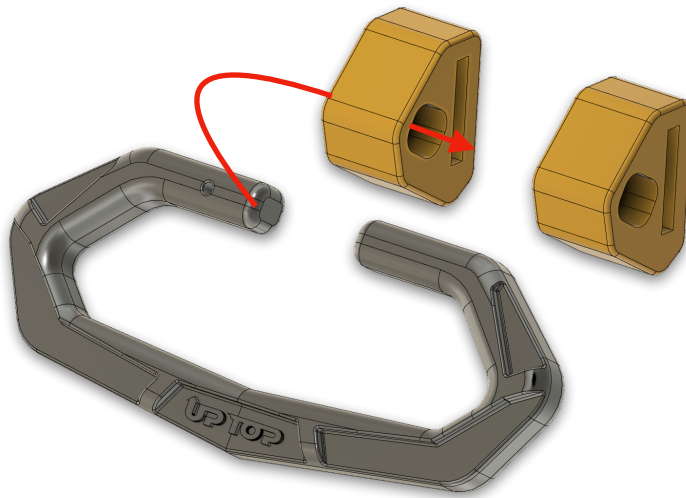
- For proper orientation of the gripper be sure that the shorter distance from the lace plate slot points up.
- If you choose to flip the lace plate for more obstacle clearance do NOT flip the included urethane grippers.



SHORTER/TOP

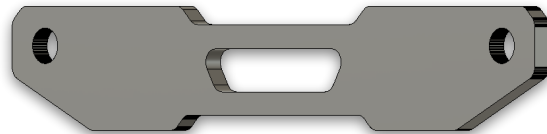
LONGER/BOTTOM

SECTION 1 RACK SIDE ASSEMBLY-HANDLES

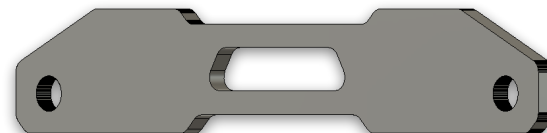


- Each handle requires two (2) grippers.
- *We recommend spraying the gripper and lace plate with soapy water or window cleaner to act as a slip agent to reduce friction and make assembly easier.*
- Grippers shown in **orange** for contrast. Production components are only available in black.
- Some powder coat color options are applied in heavier coats than others. Textured powder coats will be a little tougher to assemble than smooth coatings.
- The fit is supposed to be very snug bordering on “this thing doesn’t fit”. This is normal and helps keep the handle in perfect position during use.
- You will install the grippers one at a time by lining the square hole on the gripper up to the end of the grab handle shown here in with the **red** arrow.
- Install the grippers to all of the handles included with your order.

SECTION 1 RACK ASSEMBLY-HANDLES



STANDARD



FLIPPED



LACE PLATE ORIENTATION

The lace plates can be rotated (flipped) to allow for more clearance below the grab handles as necessary for clearance around moving objects like doors, and hatches.

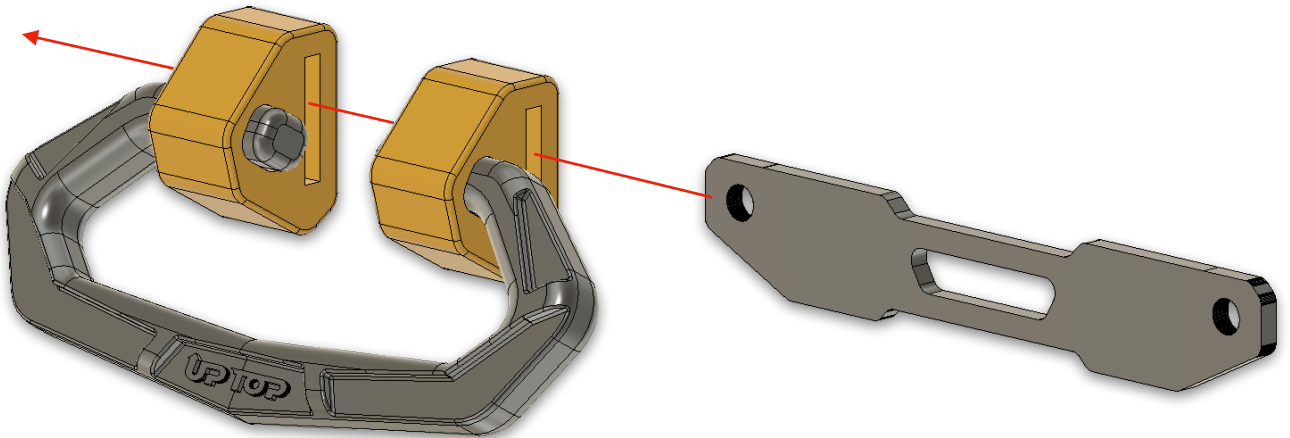
This guide uses images of the lace plate in the traditional (standard) orientation.

When flipped the handles are raised by 1/2" (12mm) for increased obstacle clearance.

Do NOT flip the included urethane grippers.

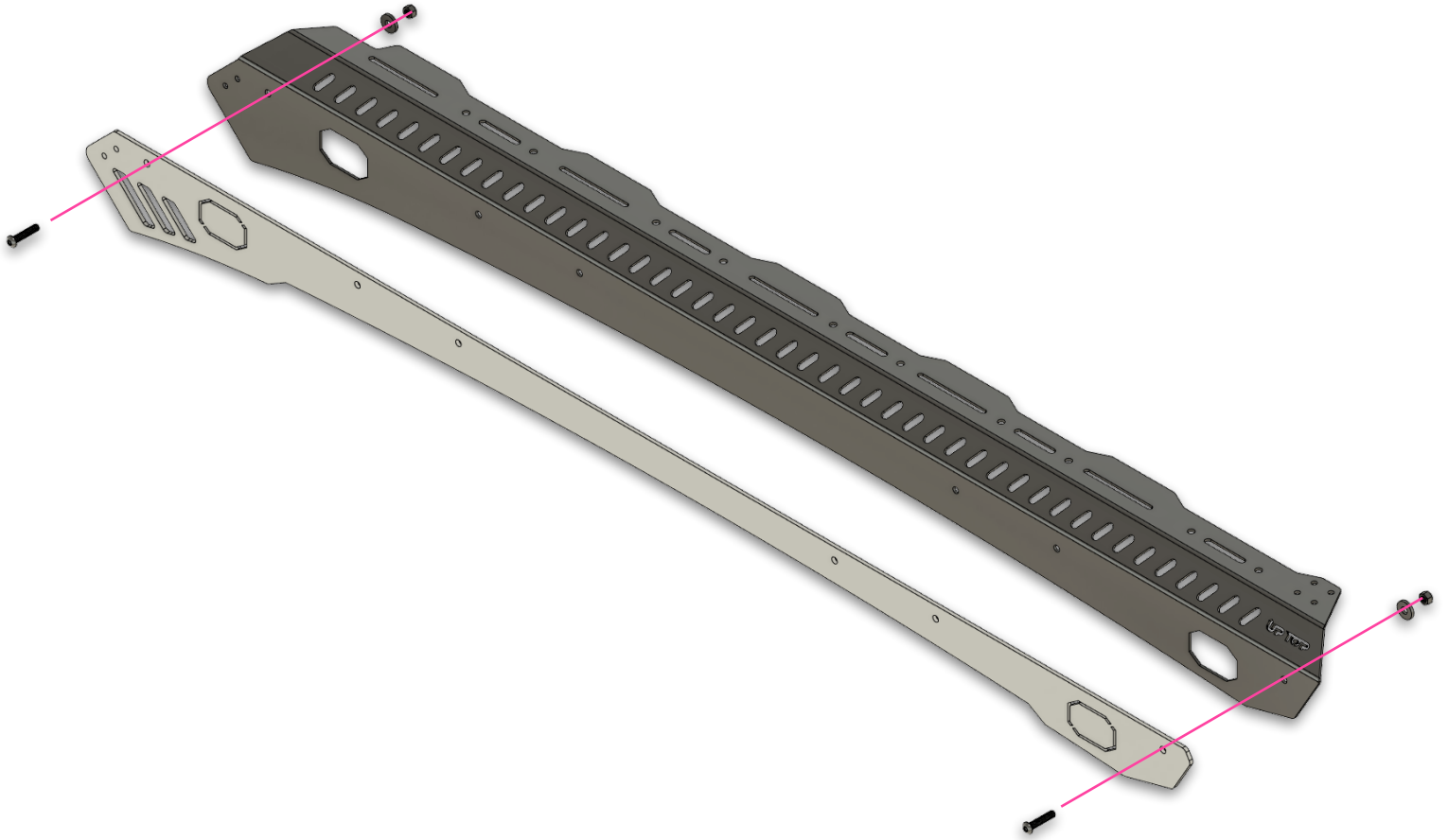
SECTION 1 RACK SIDE ASSEMBLY-HANDLES

Lace plate orientation is shown standard. When installed if you need the handles to sit higher for obstacle clearance you can flip the lace plates over as shown on Page 10.



- *We recommend spraying the gripper and lace plate with soapy water or window cleaner to act as a slip agent to reduce friction and make assembly easier.*
- Slide the lace plates through the grippers as shown by the red arrow.
- Feel free to use a rubber mallet to tamp the lace plates into place. That's how we do it at our facility. They will be extremely difficult to push in place by hand.
- If you need to flip the lace plates over later you will need to remove them from the roof rack to do so.
- Install the lace plates into all of the handles included with your order.
- Once all of your handles are assembled you can proceed with attaching the armor to the inner rack body.

SECTION 1 RACK SIDE ASSEMBLY-ARMOR ATTACHMENT



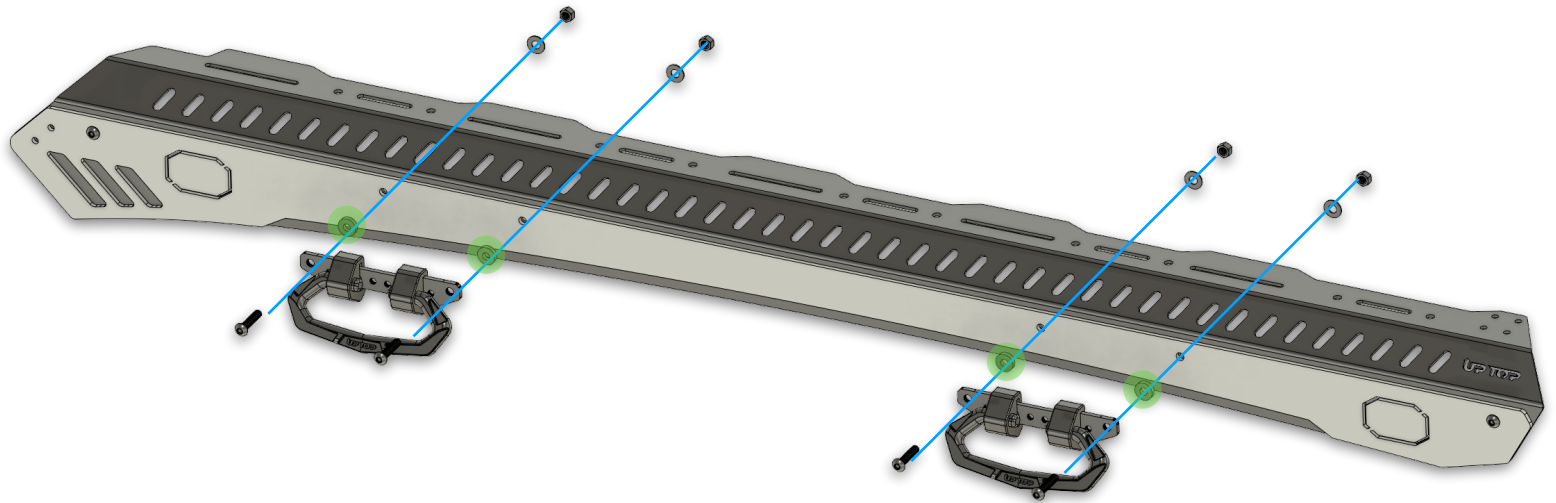
HARDWARE BAG **Z7**

TOOLS:

- 3/16 Allen L Key
- 1/2 wrench

- Align as shown and assemble hardware.
- There are no spacers placed between the armor and inner rack body.
- The fender washers and nylon lock nuts go **INSIDE** the inner rack body.
- Tighten the hardware completely.

SECTION 1 RACK SIDE ASSEMBLY-HANDLE ATTACHMENT



HARDWARE BAG **Z6**

TOOLS:

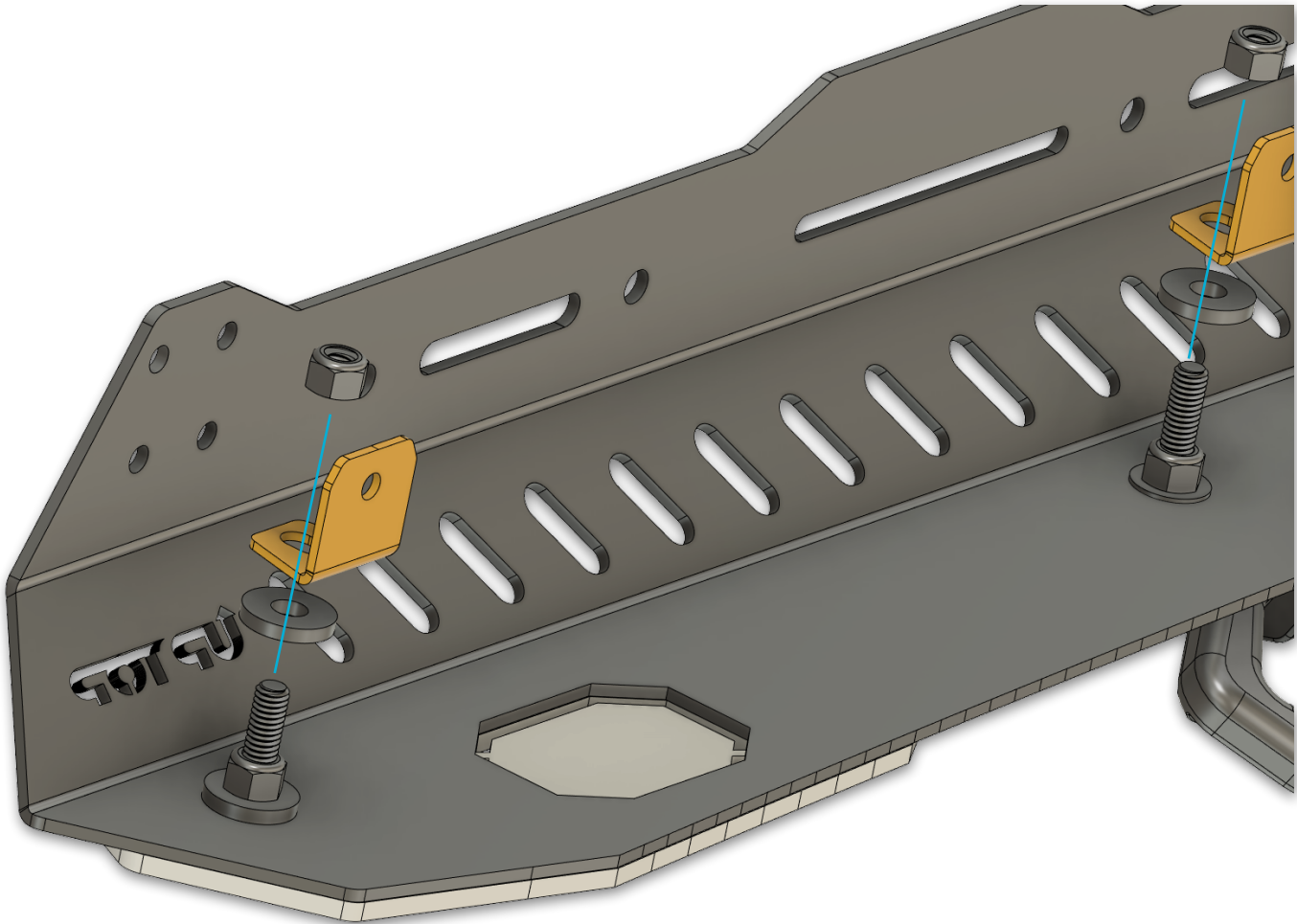
- 3/16 Allen L Key
- 1/2 wrench

- Align as shown and assemble hardware.
- Pay special attention to the thin spacers indicated in **Green** that go between the lace plates of your handles and the armor of the roof rack.
- The fender washers and nylon lock nuts go **INSIDE** the inner rack body.
- Tighten the hardware completely.
- When properly installed the grippers are compressed against the armor and the handle will have no side to side movement.

SECTION 1

RACK SIDE ASSEMBLY-quickWIRE (Optional/ Not Included)

This optional step requires clip retainers that are shipped with your Zulu Rack compatible quickWIRE harness. The quickWIRE is an additional accessory that must be purchased separately. Although these retainers can be installed with the rack installed on the vehicle it is easier to accomplish at this stage of assembly.



HARDWARE BAG Z9 (Not Included/Shipped with optional quickWIRE harness)

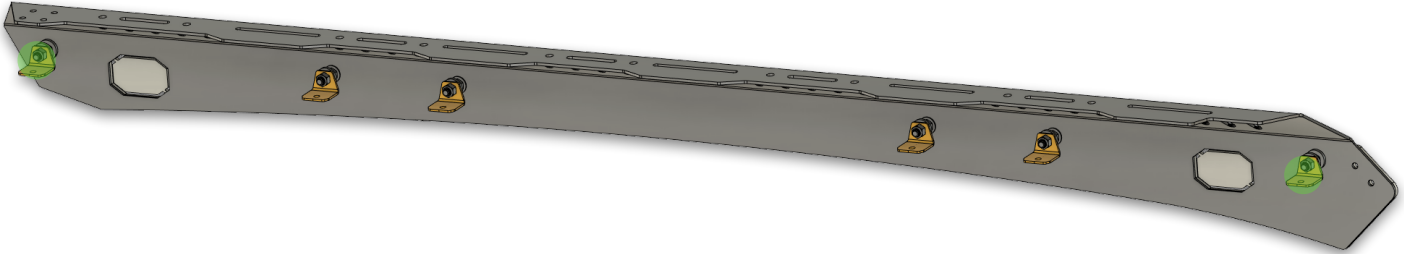
TOOLS:

- 3/16 Allen L Key
- 1/2 wrench

NOTE: The retainers will attach to the exposed threads of your armor and handle bolts. The quantity of retainers will vary based on vehicle application. You should receive enough to install down one side the inner rack body (your choice). We usually route down the same side as the vehicle battery.

- Install a spacer over each of the bolts in your rack side assembly as shown.
- Place a retainer over the bolt using the small slotted opening in the tab. The small round hole will not fit over the bolt.
- Install the nylon lock nut and tighten into place.
- The retainers can be adjusted (swivel) as needed with the harness installed.

RACK SIDE ASSEMBLY-quickWIRE (Optional)



When you order a Zulu compatible quickWIRE it will include an amount of retainers equal to all of the bolts in one side of your rack assembly as well as two additional retainers for the opposite side.

The side that you are going to attach the harness and route the wiring into your vehicle is the side that you would install the largest quantity of retainers onto. Basically one side of the rack gets a bunch, the other side gets the two remaining parts you have left over.

You can choose which side to attach the quickWIRE harness based on your vehicle. Details about your switching system, battery location, or wire pass locations can influence your decision.

On the opposite side of the rack you would install the retainers only at the front and rear armor attachment point, indicated here in green.

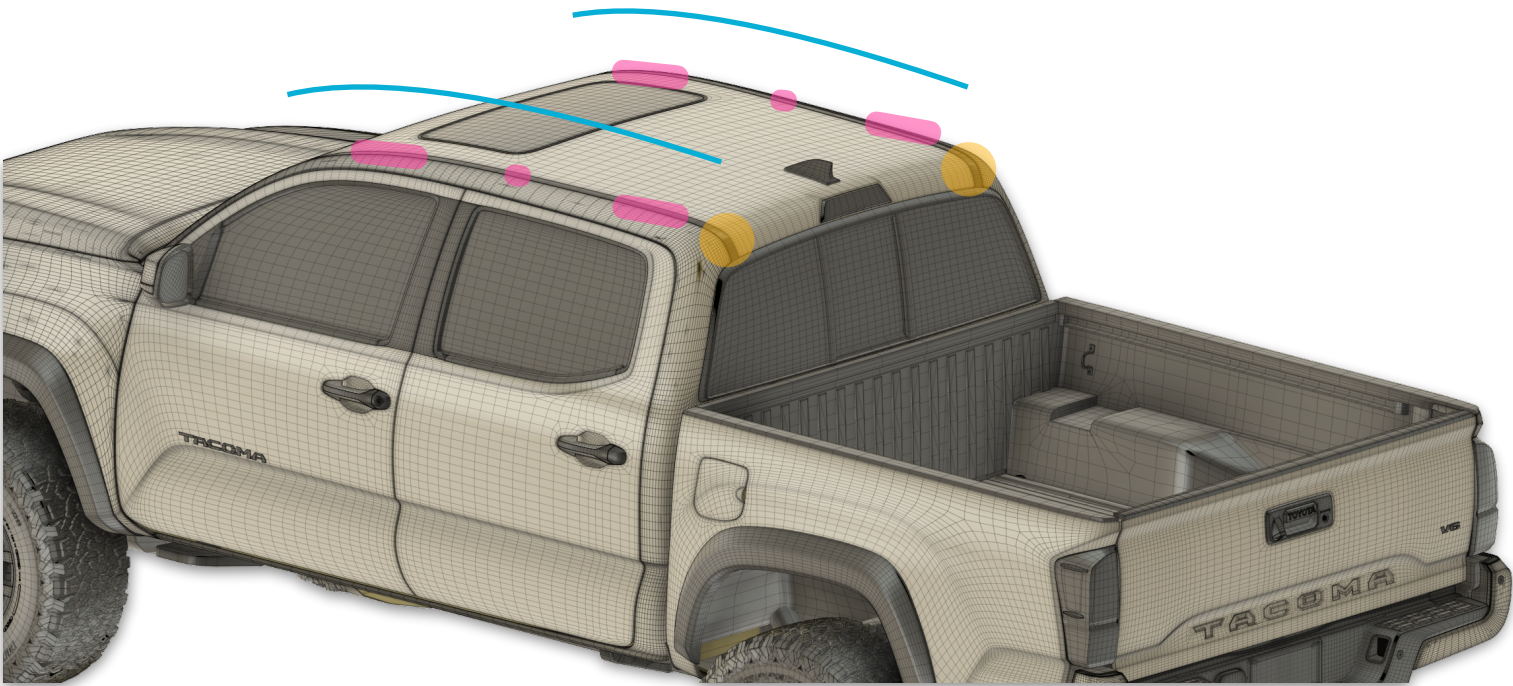
This configuration allows you to secure your wiring to the inside of your rack and provides additional points at the front and rear of the rack on the opposing side to anchor the connectors for your rock lights and/or rear lighting connectors.

For more information about the installation of our quickWIRE product line please refer to the lighting and electrical (Section 5) portion of this guide.

SECTION 2 VEHICLE PREPARATION (Toyota Tacoma 2/3G)

The drip rails of the vehicle will need to be removed and/or modified prior to the roof rack being installed to the vehicle. Under no circumstances should the supplied spacers be placed on top of the drip rails. Failure to comply can result in moisture penetration of the cabin causing damage to interior components of the vehicle.

- For 2G Tacoma (2005-2015) the drip rails remove as one entire piece per side.
- For 3G Tacoma (2016-Up) when the drip rails are removed a small section indicated here in **Orange** will remain at the rear of the vehicle. These can be left in place.



NOTE: No special tools are required for removal of the drip rails. They are attached to the vehicle through a combination of a tight fit and some foam tape in a couple of places. The drip rails are flexible. You can pull them out with your hands by starting at the front and working to the rear of the vehicle. The drip rails are made for driver and passenger side. We suggest you label them prior to removal.

- Once the drip rails are removed in the general areas indicated above in **Pink** you will find small strips of foam tape painted to match the exterior of your truck. They will be located at the front, middle, and rear of the vehicle.
- Gently scrape or peel away the foam tape to expose the threaded holes installed at Toyota for attachment of an optional factory roof rack.
- There will be two (2) at the front, one (1) in the center, and two (2) at the rear for a total of five (5) per side. Both sides of the vehicle will have these.
- Clean the areas around the threaded holes. These areas collect a lot of grime and debris that can compromise sealant adhesion.

SECTION 2

VEHICLE PREPARATION-**OPTIONAL STEP**

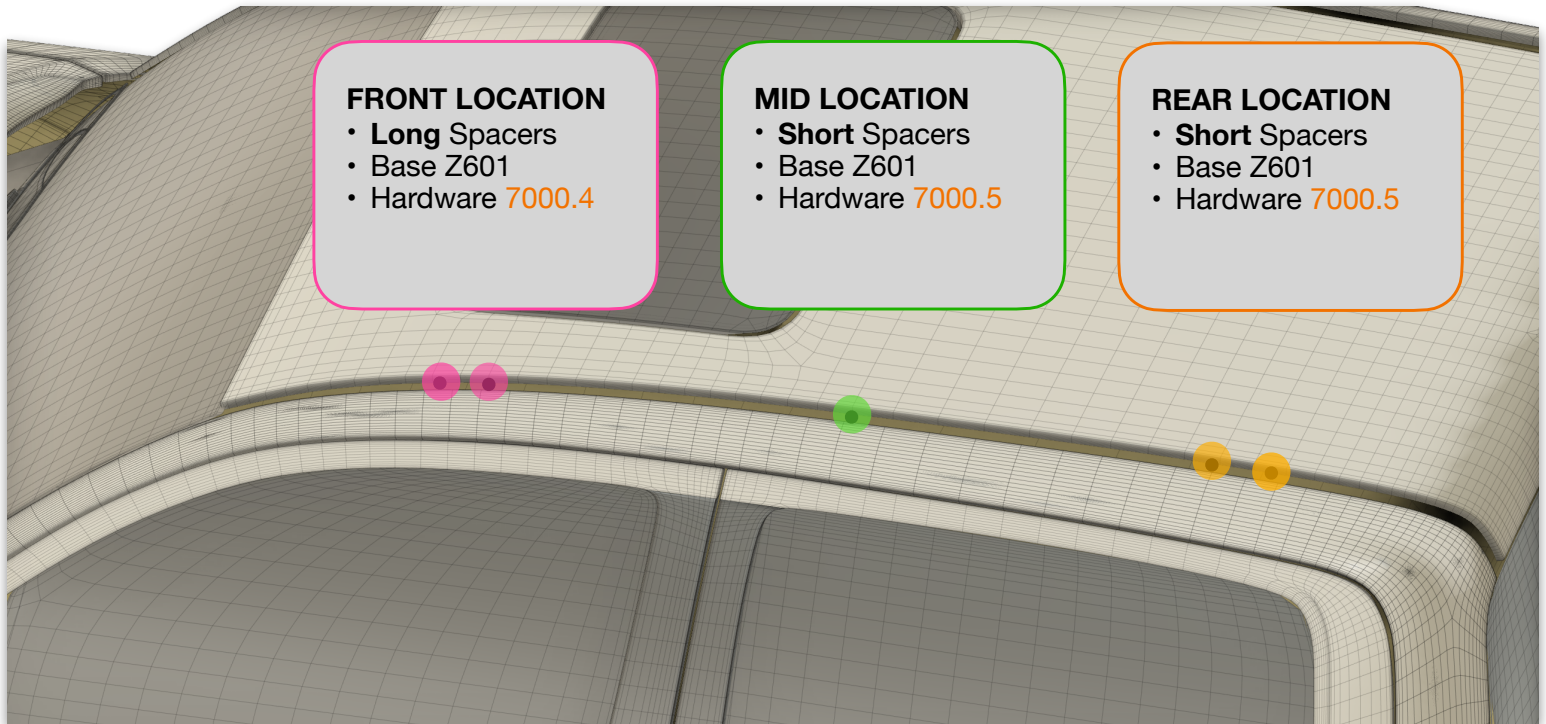
The black rubber drip rails that you removed serve no actual purpose on the vehicle aside from cosmetic concealment of seams from vehicle assembly. With the roof rack installed onto the vehicle roof these areas pretty well hidden from sight. You some options for what to do next:

- You can save them and reinstall them later if you are removing the rack or getting a new vehicle. (Recommended)
- You can trim them down to just the front small sections and use them to hide the front of the drip rail channels with the rack installed. This would require an adhesive to hold them in place.
- You can punch the drip rails to make room for the spacers included with your roof rack and reinstall them along with the roof rack. We do offer a tapered punch for purchase on our website sized perfectly for the spacers included with your kit. The process for completing this step can be time consuming and requires measurement and precision. Professional installation is highly recommended for this option.

PUNCHING DRIP RAILS-**OPTIONAL STEP**

- Mark the center over each exposed threaded hole in your drip rails. Remember there are five (5) per side. You need to mark this center line on the inner edge of the roof of your vehicle so that you can use it as a reference point with the drip rail re-installed.
- Re-install the drip rail.
- Reference the marks you made centered over each threaded hole and make another mark across the rubber drip rail. Pay close attention to alignment.
- **Remove the drip rail trim from the vehicle.**
- Use a block of wood, mallet, and 19mm (3/4") taper punch to tamp the punch into the drip rail trim.
- Align the punch over your center mark and hit it with your mallet. You really have to whack the punch to drive it all the way through the drip rail trim. There is a small metal rib in the rubber drip rail trim that must be severed to remove the rubber plug produced from the punch.
- Repeat the steps for all five (5) locations on both the driver and passenger drip rail.
- Reinstall the rubber drip rails on the driver and passenger side of the truck and snap into place.

SECTION 2 VEHICLE PREPERATION-SEALANT/SPACERS



VERY IMPORTANT

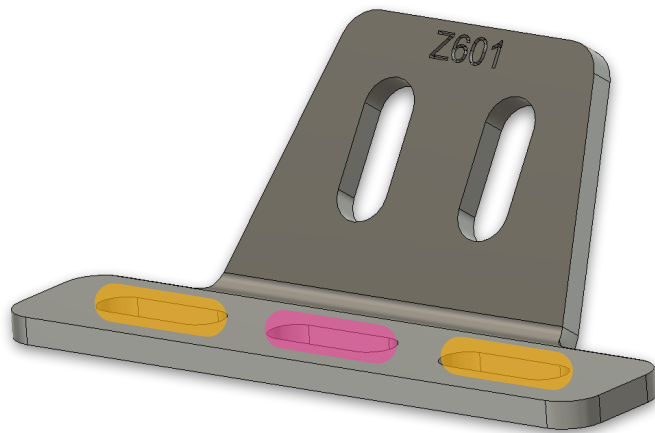
Silicone sealant applied into and around all of the factory holes in your roof will prevent water from getting into the cabin of your vehicle. **DO NOT SKIP THIS STEP.**

- You will apply the sealant **PRIOR** to placing the spacers. Do not try to sit the spacers in place and shoot the sealant into the hole in the middle of your spacer. You will not get the proper amount in the right spots to prevent water getting into the vehicle.
- *The silicone sealant brand/color is not relevant. You can pick some up at most local hardware stores or easily order online. You can use a tube or a gun applicator. Just make sure you are using silicone.*

APPLICATION

- Dispense the sealant **INTO** the threaded holes in your roof. Work your way out of each hole while dispensing and create a puddle 3/4" (19mm) in diameter.
- Push a spacer into each puddle centering the opening in spacer over the threaded hole in your roof.
- Place all of the spacers.
- Do not remove excess sealant from around the base of the spacer. You want a small "wall" of sealant built up around the base of each spacer.

SECTION 3A MOUNTING FEET



Z601 Foot Base

You'll be using the same base at all six (6) locations on the roof of your vehicle, three (3) per side.

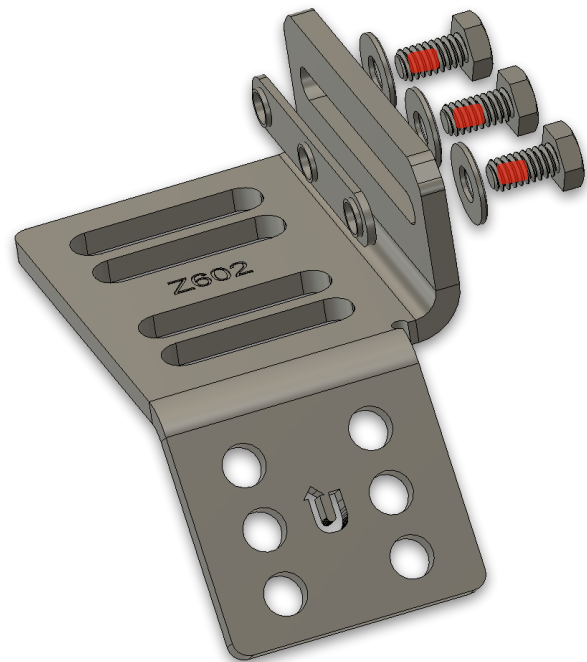
- At the **FRONT** and **REAR** of the vehicle you will use the slots indicated above in **ORANGE** to align and attach the foot to your vehicle.
- At the **MIDDLE** of the vehicle you will use the center slot, indicated in **PINK**.

Z602 Cross Bar Clamp

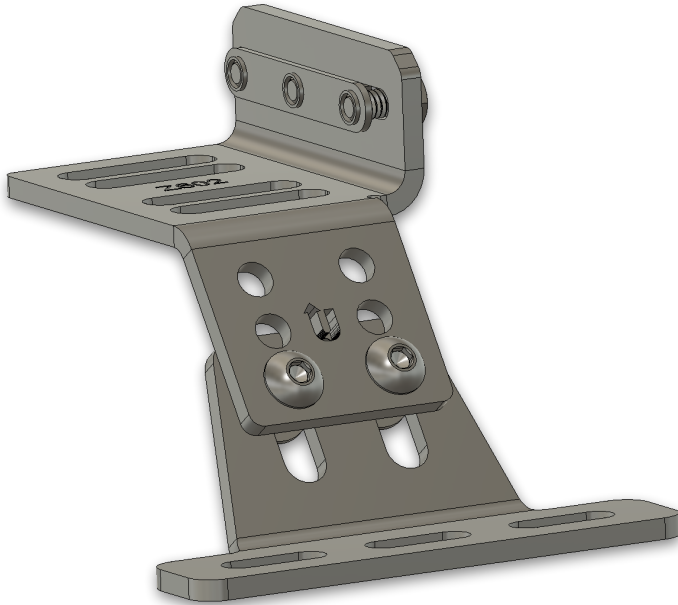
Hardware Bag **Z3**

You'll be using the same clamp (Z602) at all six (6) locations on the roof of your vehicle, three (3) per side.

- It's best to preassemble the cross bar hardware as pictured prior to attaching them to the vehicle.
- Apply the VC3 thread compound to all of the bolts located in hardware bag Z3 and allow to air dry for 30 minutes prior to assembly.
- Install the hardware by hand but do not fully tighten. You need some play in this for sliding in the cross bars.



SECTION 3A MOUNTING FEET



Z601 / Z602 FRONT Location

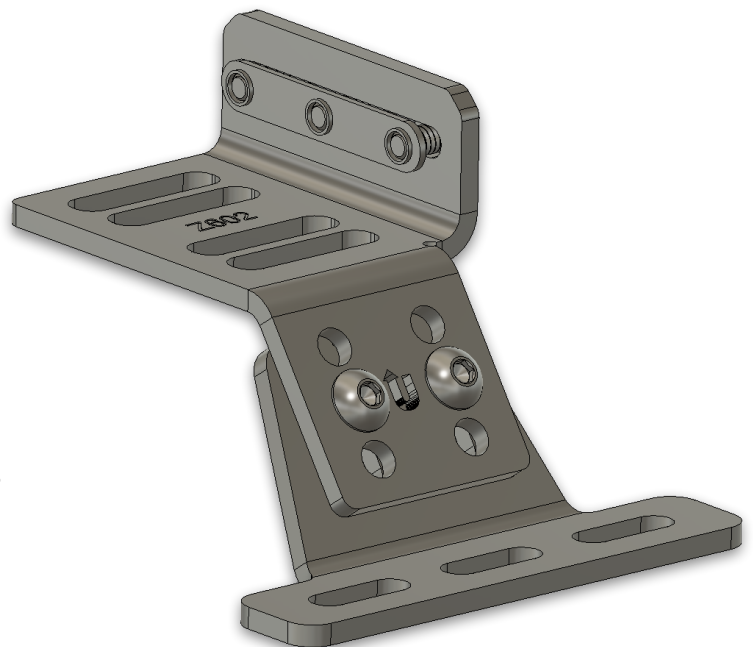
Hardware Bag Z4

- Using the **BOTTOM** holes of the Z602 clamp as shown to the left, install the bolts and nylon locking flange nuts.
- Use a 3/16 Allen and 1/2 wrench to start the hardware but **DO NOT** fully tighten.
- There should be some play left in the assembled parts allowing them to articulate.
- The articulation will aid in the foot assemblies matching the contour of the roof of your vehicle perfectly.
- You will set up two (2) of the feet for your rack as pictured.

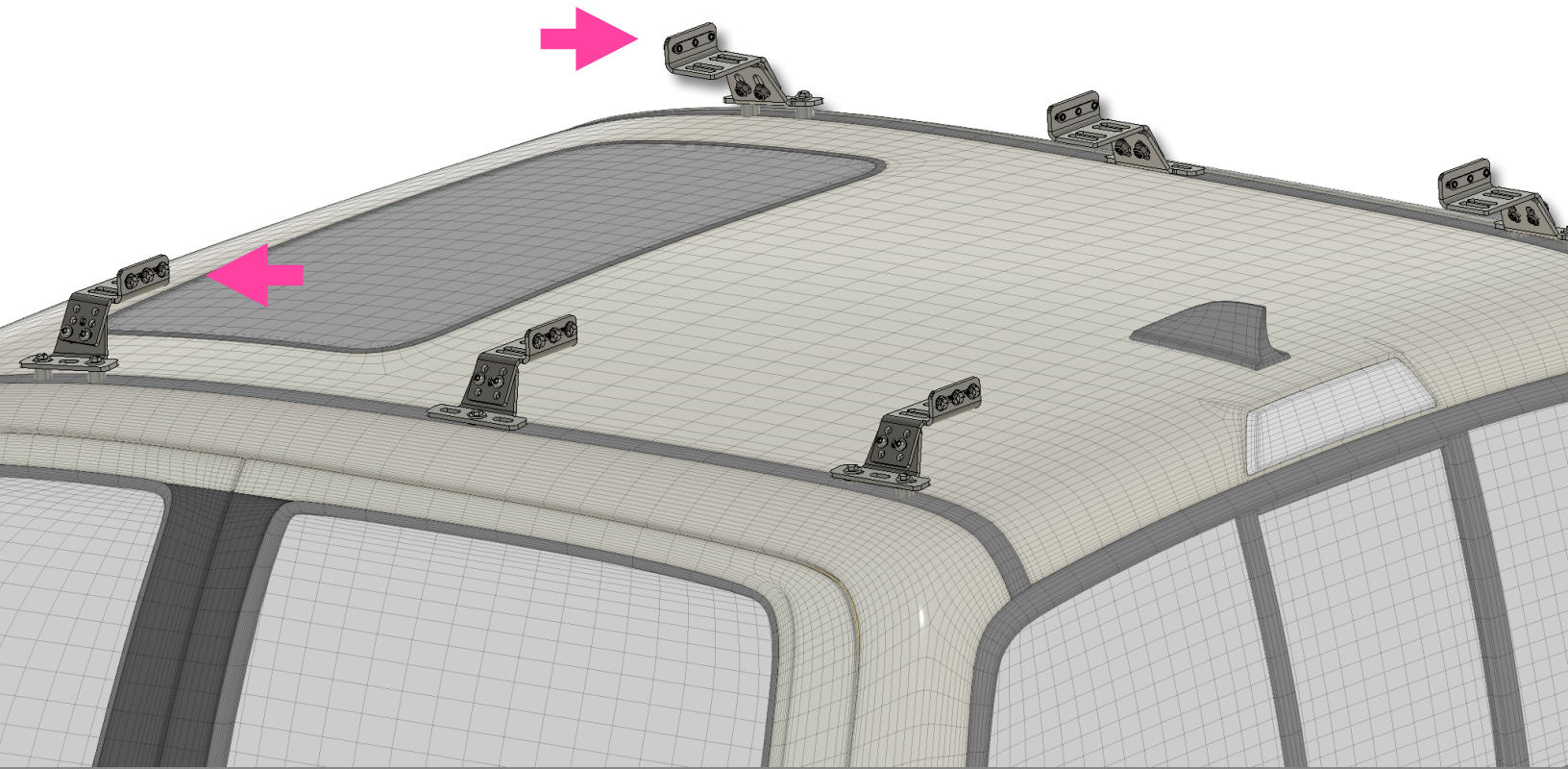
Z601 / Z602 MIDDLE and REAR Location

Hardware Bag Z4

- Using the **MIDDLE** holes of the Z602 clamp as shown to the left, install the bolts and nylon locking flange nuts.
- Use a 3/16 Allen and 1/2 wrench to start the hardware but **DO NOT** fully tighten.
- There should be some play left in the assembled parts allowing them to articulate.
- The articulation will aid in the foot assemblies matching the contour of the roof of your vehicle perfectly.
- You will set up four (4) of the feet for your rack as pictured.



SECTION 3A MOUNTING FEET

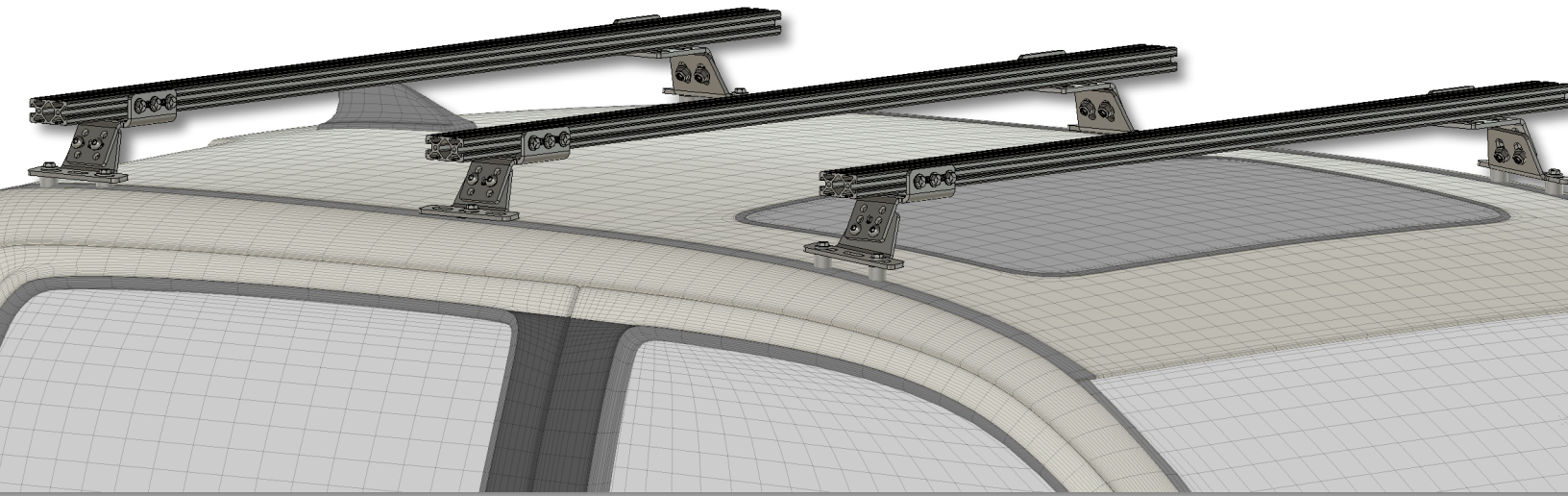


With all of the feet and cross bar clamps attached to the roof you are ready to install the first three (3) cross bars. A couple of notes before we get into that part....

- **All of the parts pictured in this image should be loose right now. You should be able to move the bases, cross bar clamps, and cross bar mounting hardware freely with your hands. Double check and loosen anything too tight to move around with your hands.**
- **Notice the PINK arrows. The cross bar clamps will face opposite directions on the vehicle. One side will face forward and the other side will face backwards. This is intentional.**

Proceed to the next page for cross bar set up and installation.

SECTION 3B CROSS BARS

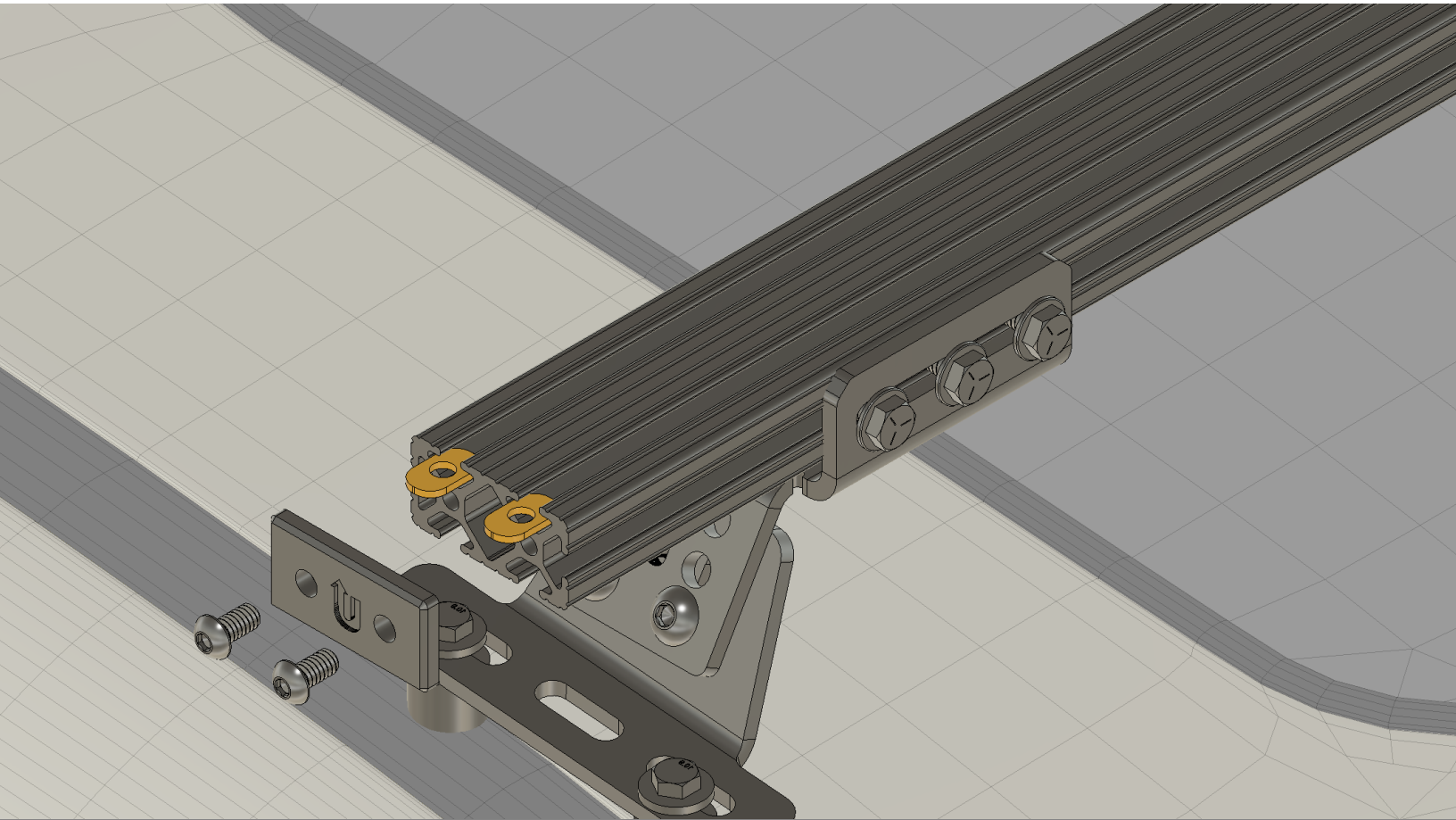


There are two (2) different length cross bars in your kit.

The longest cross bar is for your front wind screen and will be the only one in the kit that length, in this case 50.00". The remaining cross bars are 47.00" inches wide and will be used for this step, as well as the three (3) remaining cross bars that make up the roof rack body. For now sit aside the 50.00" cross bar and focus on the others.

- **Align the channel on the SIDE of your cross bar and feed it across the vehicle until it is attached to each foot assembly as shown above.**
- **Install the three (3) main cross bars and proceed to the next page.**

SECTION 3B CROSS BARS



Each cross bar will need the threaded inserts places in the top channels as shown above.

- **Each cross bar will receive a total of four (4) inserts. You will install two (2) at each end of the cross bar.**

To retain the threaded inserts and give a finished appearance you will install an end cap to each cross bar.

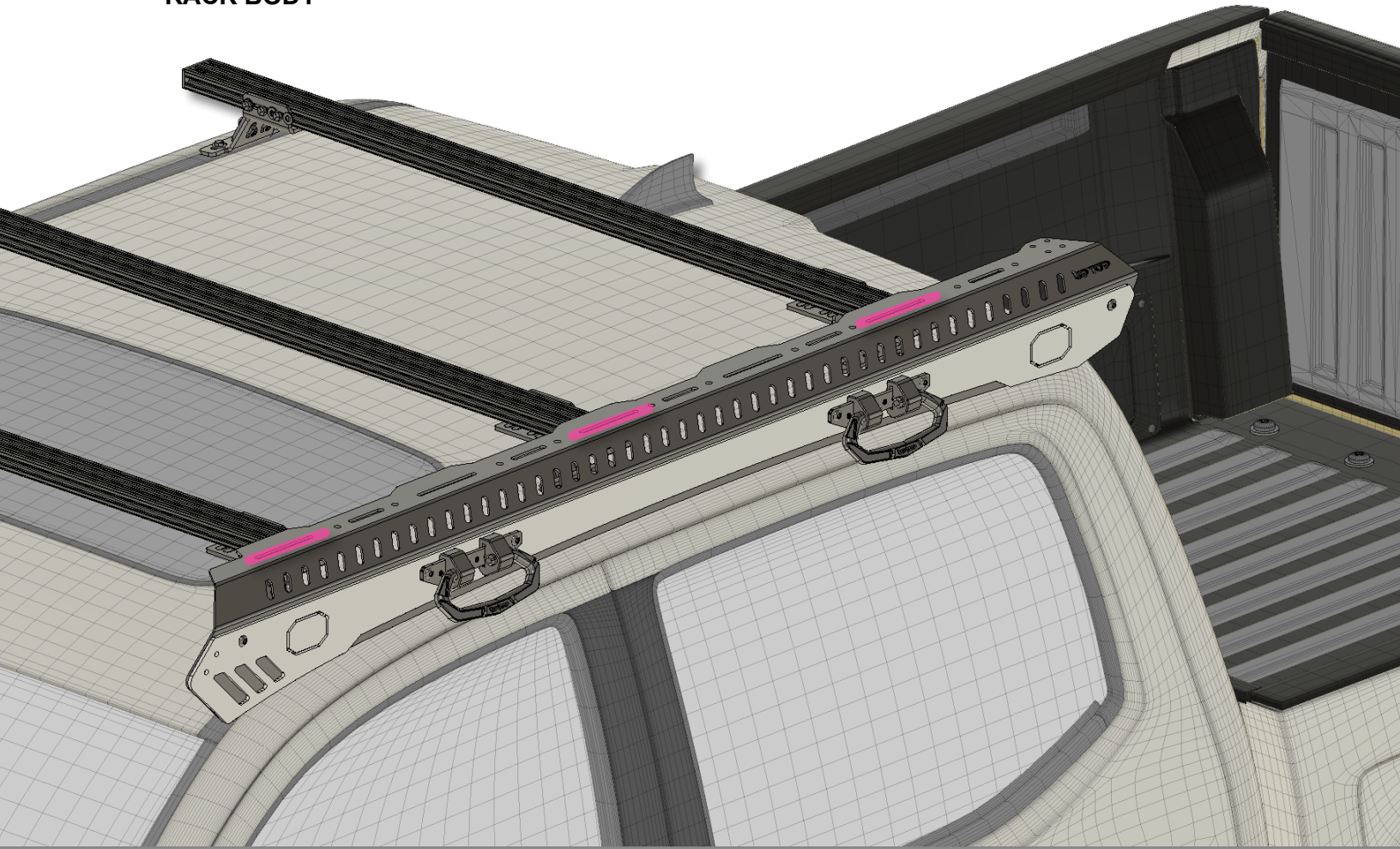
- **Use the hardware from bag Z8 to secure the caps onto the cross bars with a 5/32 Allen wrench. *This hardware DOES NOT require the VC3 thread compound.***

Feel free to drill and modify the end caps to accommodate wiring, etc...during your installation.

Late 2023 models will ship with push in end caps and no longer require the hardware to hold them in place. Those end caps will have a wiring provision built into the design.

- **Install the threaded inserts and end caps to all of your remaining cross bars except for the one in your kit that is longer than the others. The longer one is for your wind screen and DOES NOT get end caps. See Section 4 for more details.**

SECTION 4 RACK BODY



For the Tacoma you will use the slots indicated above in **PINK** to attach the rack body to the three (3) cross bars previously installed.

Before proceeding we *strongly recommend* protecting the exterior of the vehicle with a few layers of masking tape to serve as a barrier between the rack body and vehicle during assembly.

- **This step used the hardware from bag Z1. Please apply the VC3 thread compound to all fasteners and allow to air dry for 30 minutes prior to installation.**
- **Each location will receive a bolt and flat washer. There are no lock washers.**
- **Position the rack body so that the slots line up with the cross bars, and the threaded inserts in the cross bars are visible through the rack body slots.**
- **Use a 5/32 Allen wrench to start the hardware but DO NOT fully tighten the hardware yet. You should be able to slide the side back and forth a bit to position the rack.**
- **Repeat the process to install the other side of the rack body onto the cross bars.**

SECTION 4 WIND SCREEN

Aerodynamics play a huge part in fuel efficiency and cabin noise. Adding a roof rack to your vehicle changes the shape of the vehicle and loading that rack with gear just adds to the challenge of transporting roof top cargo without taking away from the comfort and performance of your vehicle..

The **Adaptive Wind Screen** included with your ZULU roof rack has been through extensive design and testing to provide the quietest ride possible by working with the headwind instead of against it. This happens without coming into contact with the roof of your vehicle and it doesn't require the use of rubber strips that damage your paint.

The two piece design lets you configure your rack the way you want right out of the box. If you choose not to add front lighting, simply install the provided insert to have a completely blocked wind screen at the front of the vehicle.

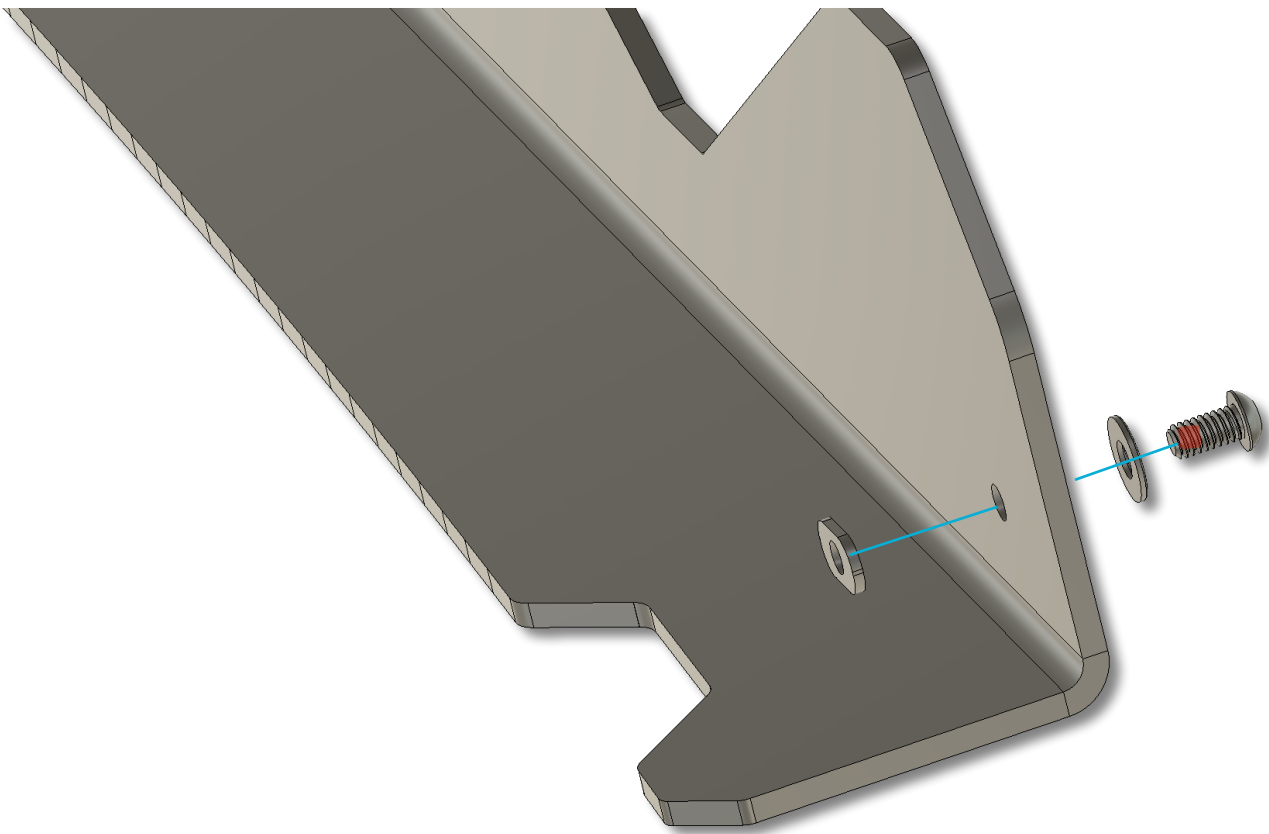
Also included in your kit you will find PN# 4090, which are stainless steel brackets and hardware that you can use to add up to a 40 inch light bar to the front of your rack at any time. If you are going to install a light bar you need to remove (or not install) the insert at the top of your wind screen. With that piece removed you can install a light bar, single or double row, up to 40 inches in length. The provided hardware will work with a wide range of available light bars but additional hardware may be required for certain applications or brands.

You can complete the lighting installation during the initial installation of your roof rack, or you can add it later. The choice is all yours. If, at any time, you do not install a light bar in the wind screen please install the provided insert to reduce noise caused by headwinds interacting with your roof rack cross bars.

See Section 5 for more information on mounting lights into the front of your roof rack. Now let's get the wind screen installed....

SECTION 4 WIND SCREEN

The wind screen will attach to the long cross bar included with your rack. For the Tacoma that is the 50.00" cross bar.

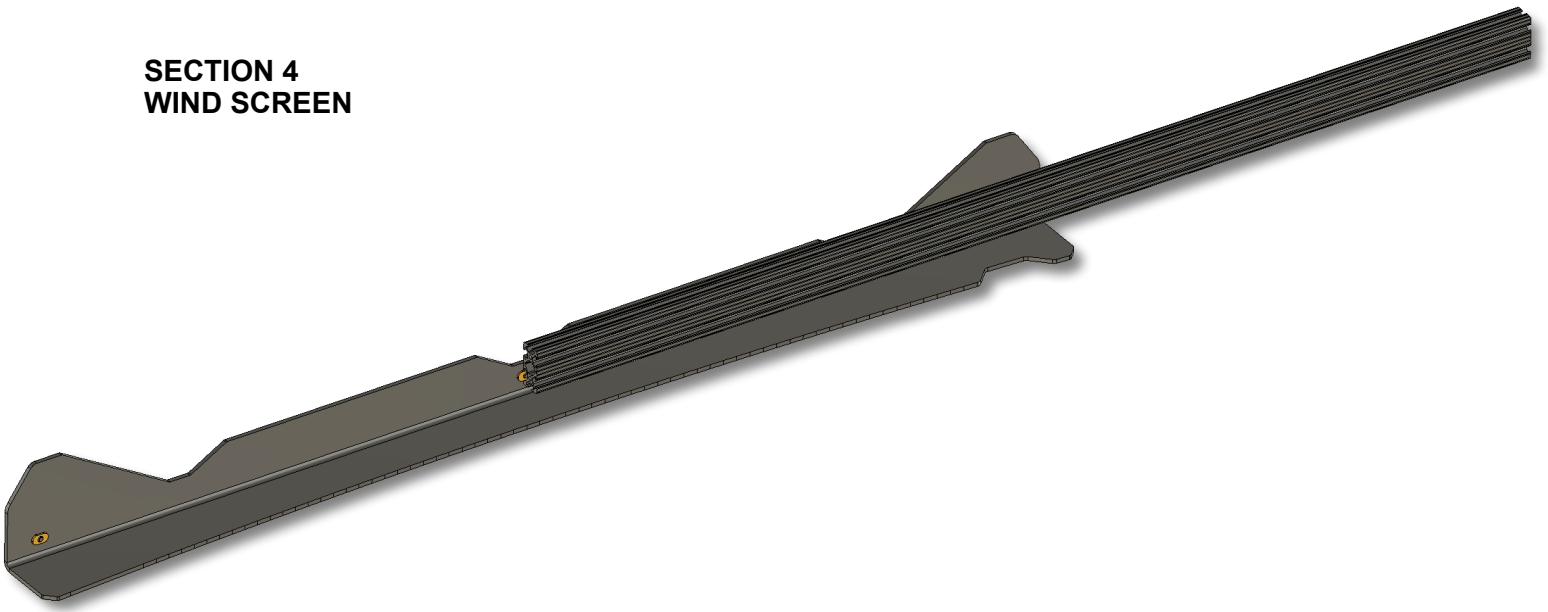


Hardware Bag Z5

There are three (3) locations on your wind screen that will be used to attach to the cross bar. Be sure that you have VC3 applied to all of these bolts and it is dry prior to installation.

- **Put together the bolt, washer, and threaded insert as shown.**
- **Repeat for the remaining two (2) locations.**

SECTION 4 WIND SCREEN



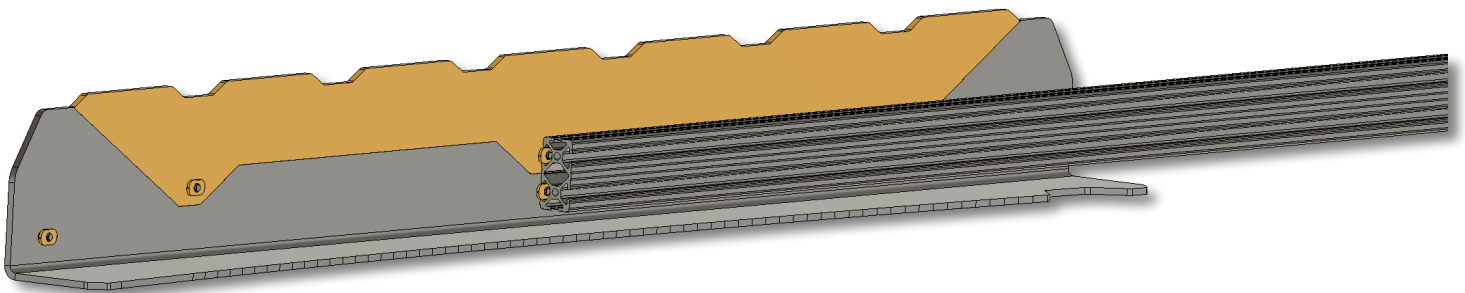
The top image is the windscreen without the blank. This is what it will look like if you are installing lighting at the front of the vehicle.

The bottom image has the blank installed. This is the configuration for no front lighting.

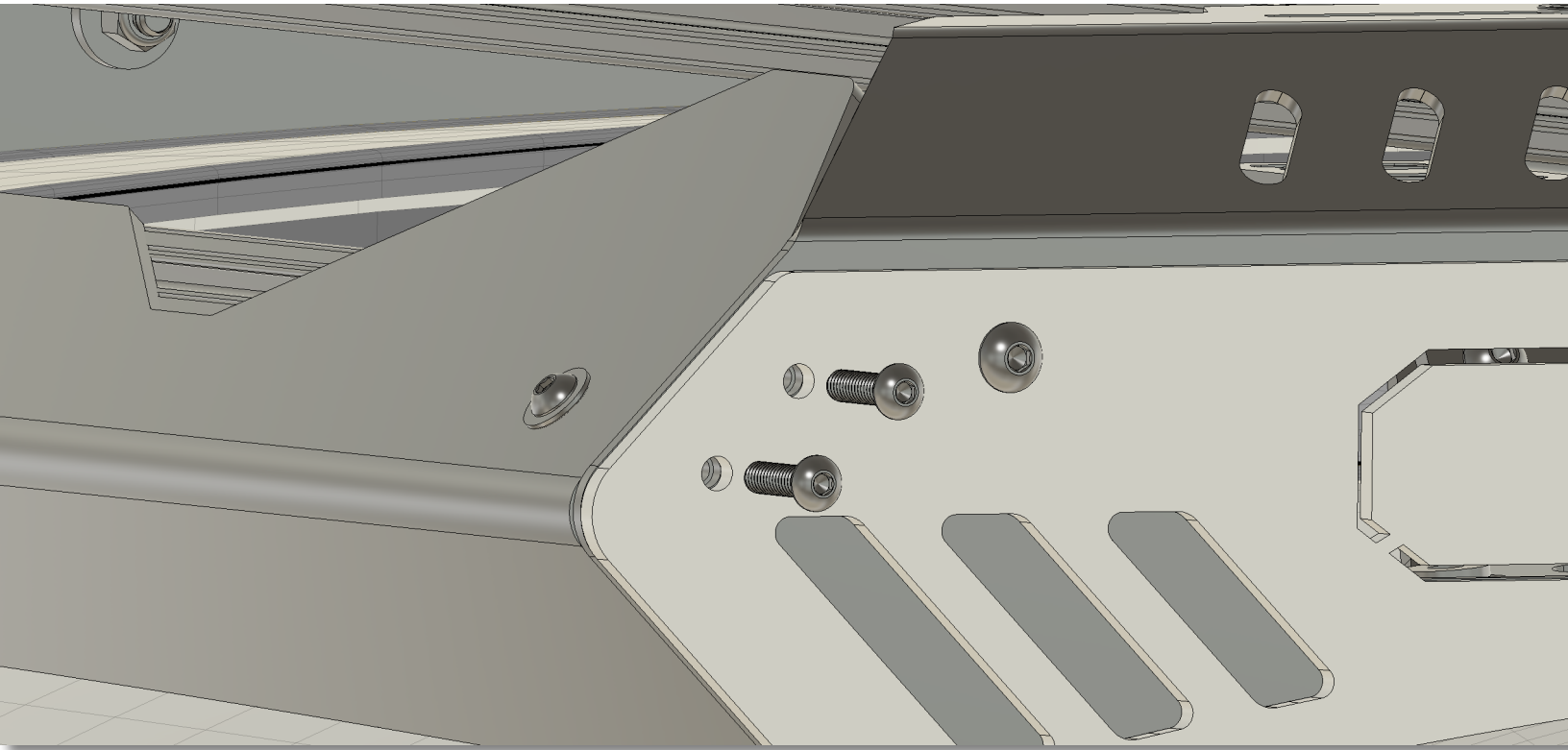
In either scenario you will align and install the cross bar so that the threaded inserts in the wind screen use the **LOWER** of the two forward facing channels on the cross bar.

The **UPPER** forward facing channel would be used for the blank. If you are installing the blank just nest it into the wind screen and install the cross bar to both pieces at the same time.

- **Push the cross bar into position so that it is even with the end of the windscreen at both edges. Tighten the hardware with a 5/32 Allen wrench.**



SECTION 4 WIND SCREEN



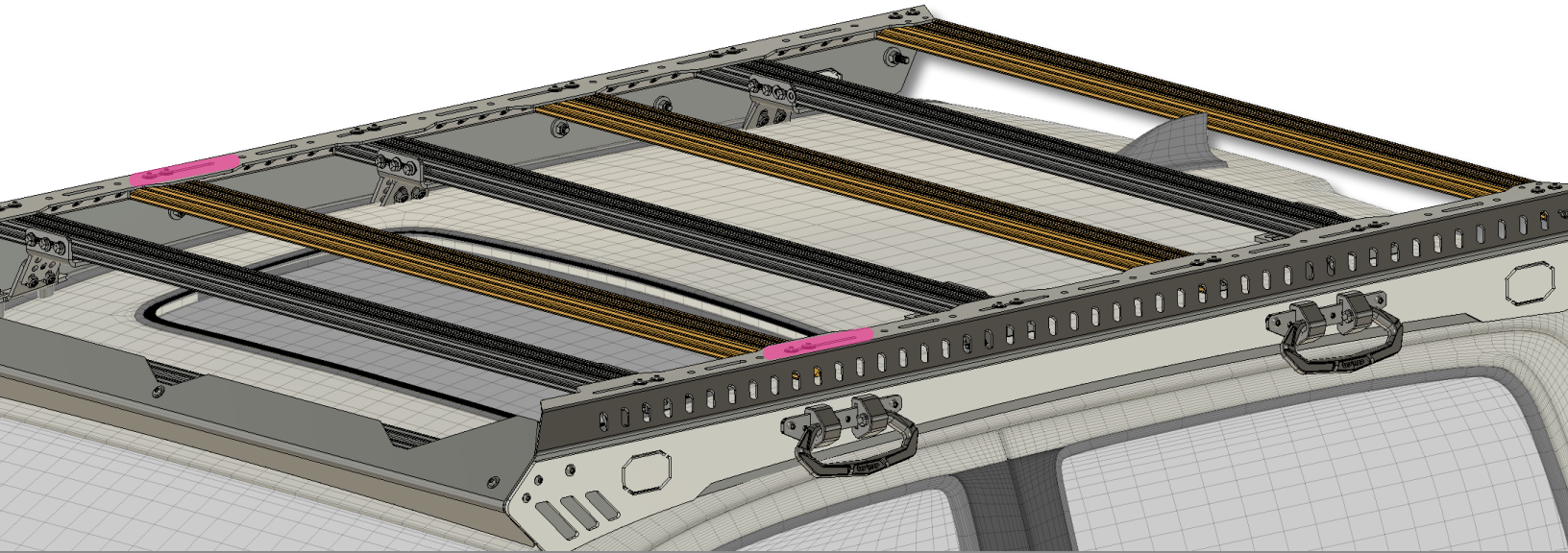
Hardware Bag **Z2**

There are two (2) locations at the front of the rack on each side of the vehicle where the cross bar that the wind screen is attached will mount into the rack assembly.

Please ensure that this hardware has the VC3 applied and cured prior to assembly. The wind screen of your roof rack will be subjected to extreme head winds even under normal vehicle operation and the hardware can easily work loose if not treated with the VC3.

- **Use a friend to help you position the wind screen. Use a 5/32 Allen wrench to install the hardware and fully tighten (3 ft. Lb) all four (4) bolts.**

SECTION 4 REMAINING CROSS BARS



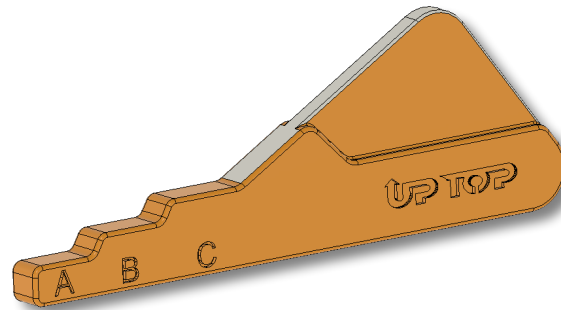
Hardware Bag Z1

You can use the slots at the top of your rack to install the cross bars in any location that you need them to be in order to mount gear to your roof rack. Additionally the remaining cross bars have small adjustments available in the slot for fine tuning placement for items like storage boxes, and other mounting systems.

A cross bar installed at the rear of the rack can be installed horizontally, like the others, or vertical for a larger rear facing mounting surface for optional lighting if you choose.

- If you are installing a cross bar in the slot indicated above in **PINK**, be sure that the cross bar is positioned all the way at the front of the slot for full operation of the factory sun roof vent/open feature (if equipped).
- Use your remaining hardware and threaded inserts from bag Z1 and assemble the cross bars with the inserts and end caps.
- Rotate the bars into the roof rack and place them where you want them to be.
- Use a 5/32 Allen wrench to start the hardware.
- Ensure that the load bars are even (parallel) on the driver/passenger side and fully tighten the load bars into place to 3 ft. Lb.

SECTION 4 FINAL ASSEMBLY



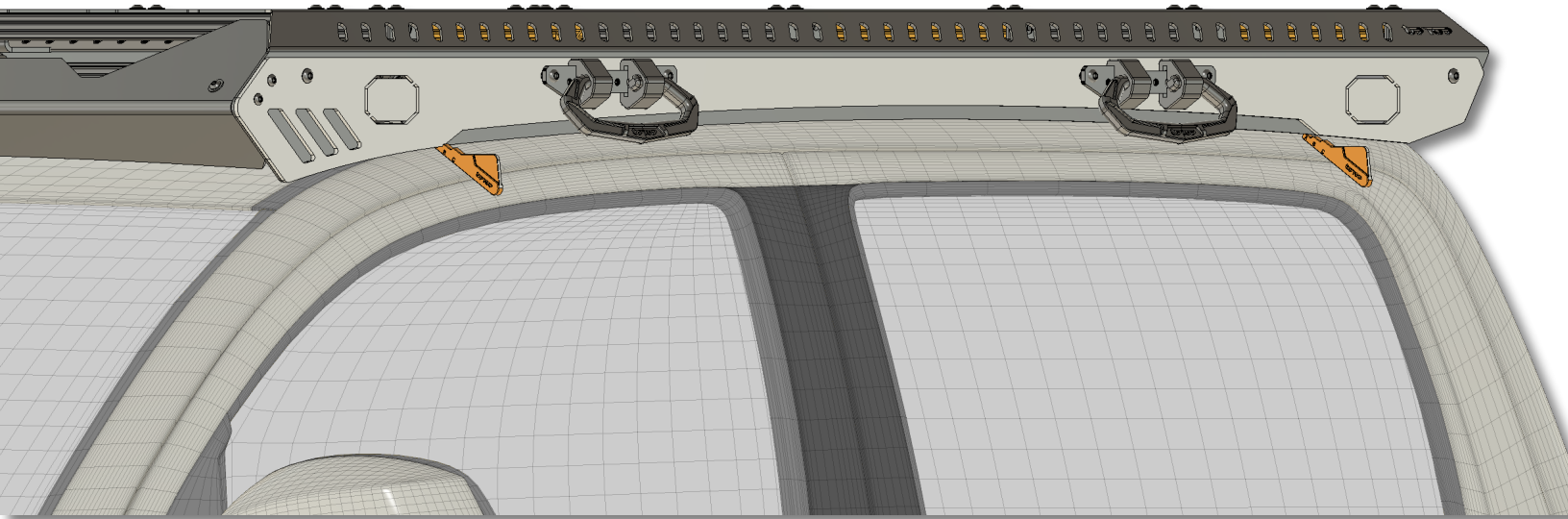
RACK SPACING TOOL

In your kit you will find four (4) **4105 ZULU Rack Spacing Tools**. These non-marring, injection molded plastic tools are used to set the perfect spacing between your roof rack and vehicle to ensure the best possible fit without coming into contact with the vehicle itself.

There are three (3) steps labeled **A**, **B**, and **C**.

- For the Tacoma 2/3G you will be using the step/spacing labeled “A”.
- Even though every effort was put into the material selection and design of this tool so that it will not do damage to the exterior surface of the vehicle during use we **STRONGLY** recommend taping off the areas where these tools will be placed (shown on the next page) to avoid possible damage to clear coat or vehicle wraps, etc...
- You will be using two (2) tools on each side of the vehicle.
- Once the placement and final assembly is complete you will remove these tools. Please keep them in a safe place should you ever need to use them again.

SECTION 4 FINAL ASSEMBLY



ADJUSTING RACK HEIGHT/FINAL ASSEMBLY

To fit the ZULU rack to the contour of your vehicle:

- Push upwards on the rack body and place a spacing tool using the “A” position as pictured.
- For reference these tools will be placed where the Ambi-Armor notch starts and stops along the edge of the rack where it meets the vehicle.
- Place the tools in the same place on the driver and passenger side of the vehicle.
- Visually inspect the roof rack to ensure it is centered on the vehicle. Adjust as needed to dial in placement left to right, and front to back.
- You should have adequate clearance behind the factory shark fin antenna at the rear of the vehicle.
- There should be around .500” (12mm) of space between the arc on the bottom of the wind screen and the roof of the vehicle.

IN THE FOLLOWING ORDER:

- Use a 3/16” Allen wrench and a 1/2” wrench to fully tighten the bolts that mate the Z601/Z602. Be sure that you tighten all six (6) locations. (Hardware from Bag Z4)
- Use a 5mm Allen wrench to tighten the bolts used to secure the Z601 feet to the roof of the vehicle. (Hardware from bag(s) 7000.4 and 7000.5)
- Use a 7/16” wrench to tighten all of the bolts (Bag Z3)
- Remove the spacing tools ensuring that the rack does not settle. The spacing between the rack and vehicle should be the same with or without the spacing tool in place.

**SECTION 4
FINAL ASSEMBLY**

With the rack firmly attached to your vehicle you can now go back and tighten any remaining hardware. Please refer to the chart below for factory torque specifications. The colors on the chart will correspond to the hardware bags included in your hardware kit.

ZULU Torque Specifications

Hardware Bag ID	Function	Torque Specification (ft. LB)	Completed
Z1	Body to Cross Bars	3	
Z2	Wind Screen Cross Bar	3	
Z3	Cross Bar Clamps	3	
Z4	Clamp Assembly	6	
Z5	Wind Screen	3	
Z6	Grab Handle	6	
Z7	Ambi-Armor	6	
Z8	Load Bar End Cap	Hand Tight	
Z9	quickWIRE	2	
7000.4	Rack to Roof FRONT	6	
7000.5	Rack to Roof MID/ REAR	6	

NOTES ABOUT TORQUE

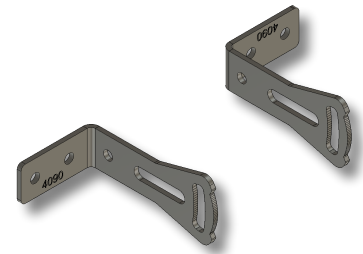
If you do not have a torque wrench please ensure that the hardware used in your roof rack is secured in place to the best of your abilities. We do not expect you to go blow coin on a torque wrench calibrated by the Department of Weights and Measures used by Cal Tech High Energy Physicists, and NASA engineers but we do need you to make sure that your hardware is properly tightened.

Your roof and bed racks will take an absolute beating on serious terrain and it is critical that you add some basic maintenance to your vehicle schedule to periodically inspect the rack hardware to make sure it is tight.

All hardware will settle with initial use and this can be affected by extreme temperature fluctuations even more so. We recommend that you set all hardware to factory specifications during initial installation and then check and re-torque the hardware after the first 500 miles.

SECTION 5 LIGHTING

4090 Light Bar Brackets (Included)



The **4090 brackets** are included with your roof rack and can be used to mount most light bars (up to 40") to the cross bars of your roof rack for an adjustable, secure mount that is easy to install and adjust.

Initial shipments of the 4090 will include "slide in" style threaded inserts that require you to install the threaded inserts at the end of across bar and slide them into place. Late 2023 release will feature a "drop in" style similar to our tracNUT products that do not require cross bar disassembly and can be inserted in any slot on a cross bar.

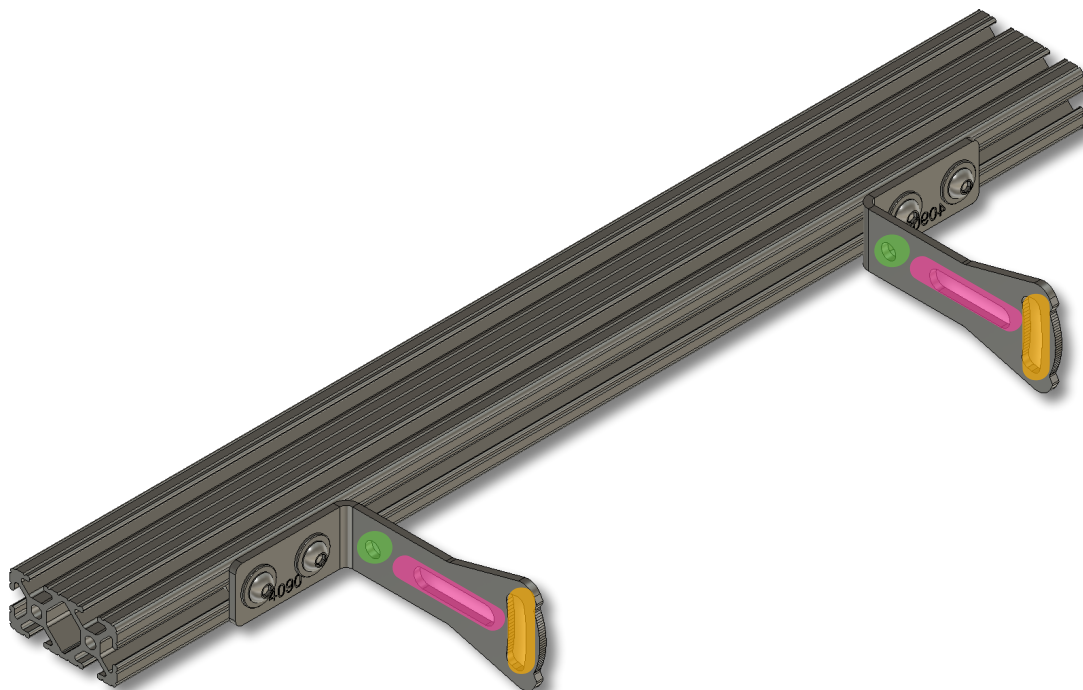
The included hardware will work for upTOP™ brand light bars as well as Baja Designs™, Heretic™, and more. Some light bars might require specialized hardware or brackets for installation not included with this kit. Any brackets or hardware required but not included with this kit are the responsibility of the end user.

The 4090 brackets can be mounted to the front cross bar of your roof rack as well as the cross bar used to secure your wind screen into your roof rack. Use your best judgement to determine the best location for placement of the lighting without interfering with performance or cooling fins on the light bar.

Light bars greater than 40" in length should not be mounted into your roof rack as light output will be obstructed and/or the light bar can come into contact with the rack or windscreen causing vibration/damage to the finish of the roof rack or light bar.

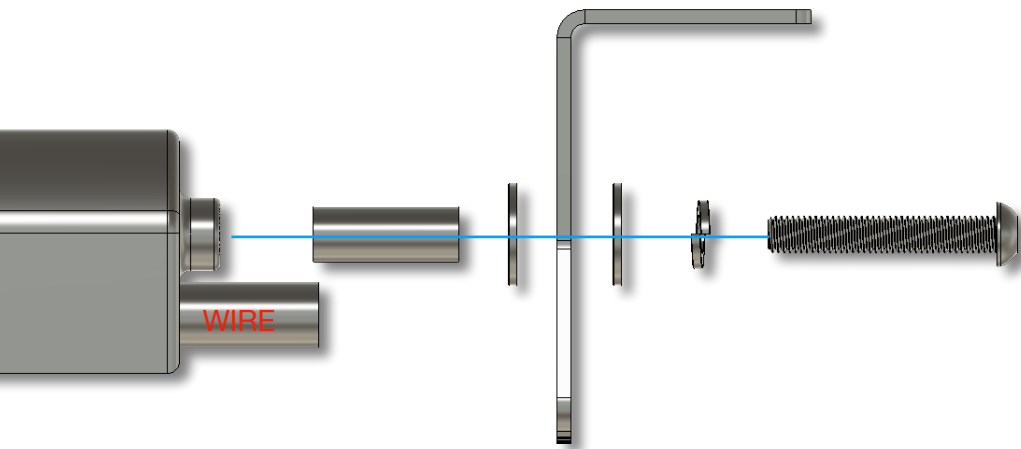
The mounting areas for light bars, shown in GREEN, PINK, and ORANGE can be used in any configuration necessary to attach your light bar to the brackets.

- **Determine location. Install brackets. Attach light bar. Center in rack. Tighten into place. The bracket hardware to attach to the cross bar will use a 5/32 Allen wrench.**



SECTION 5 LIGHTING

upTOP 38 Inch Light Bar with 4090 Kit



4090 Installation

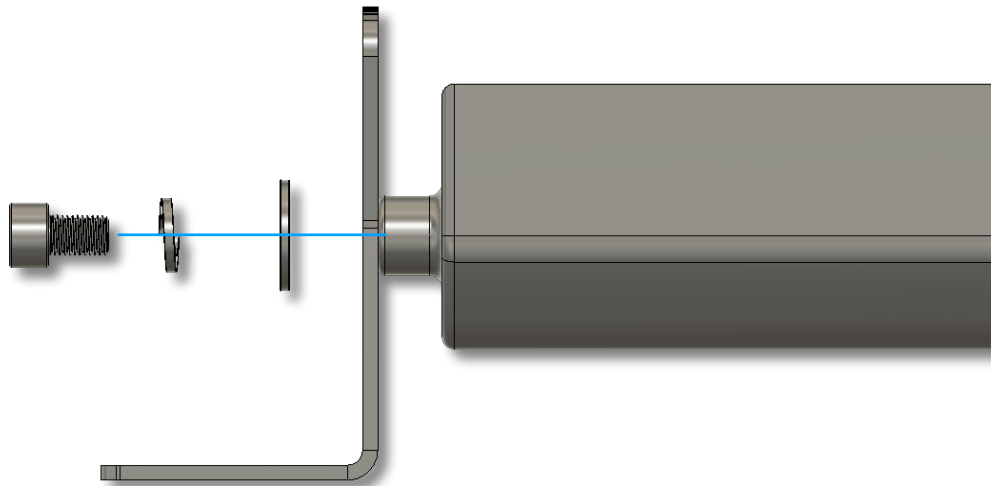
• Wiring End / Bar

- Assemble the hardware as shown from the light bar hardware bits in the 4090 Kit.
- The bolt length is 50mm
- You **MUST** have the lock washer, (2) fender washers, and aluminum spacer as shown to clearance the wire exiting the end of the light bar.
- **Failure to set up as shown can cause hardware to bottom out.** This type of error is not covered under your warranty.

4090 Installation

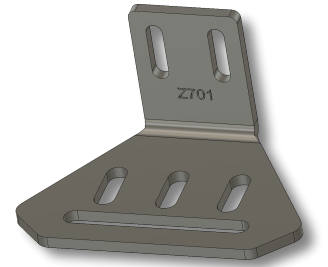
• Opposite End

- Use one of the bolts and lock washers supplied with your upTOP 38" light bar.
- Use one (1) of the 4090 kit supplied fender washers as pictured.
- **Failure to set up as shown can cause the hardware to bottom out.** This type of error is not covered under your warranty.



SECTION 5 LIGHTING

Z701 Large Diameter Mounting Bracket (Optional accessory. Not Included)



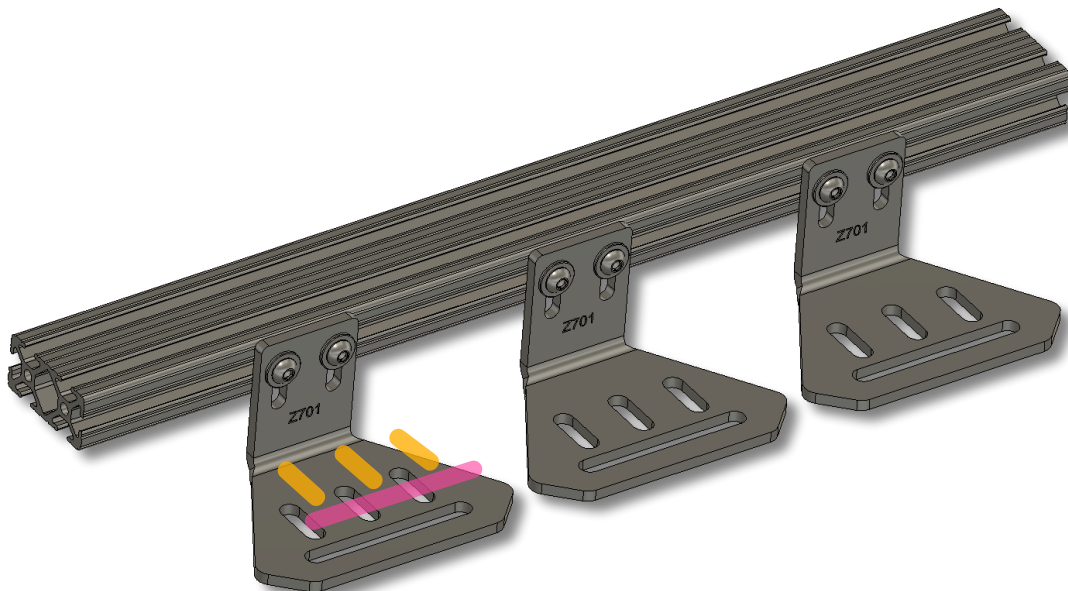
The **Z701 brackets** are designed to facilitate the mounting of individual, larger lights like the LP4 and LP6 from Baja Designs™, as well as the SS5 Series from Diode Dynamics™. It should be understood that in this application you will use one (1) Z701 bracket PER LIGHT on your roof rack so if you are mounting six (6) LP6 lights you will need six (6) Z701 brackets and you will just repeat the steps below to install each light.

When using a Z701 bracket it is assumed that you will also be using the stationary mounting bracket provided with your light. Most, if not all high performance lights include a mounting bracket to support and mount the light. You will need to attach the Z701 to the additional bracket provided with your light. The Z701 brackets ship to you with hardware for attaching the Z701 to the cross bar of your roof rack. Additional hardware will be required for mating your light bar mounting bracket to the Z701. This hardware is NOT INCLUDED with any variant of the Z701 mounting bracket or kit.

Initial shipments of the Z701 will include “slide in” style threaded inserts that require you to install the threaded inserts at the end of across bar and slide them into place. Late 2023 release will feature a “drop in” style similar to our tracNUT products that do not require cross bar disassembly and can be inserted in any slot on a cross bar.

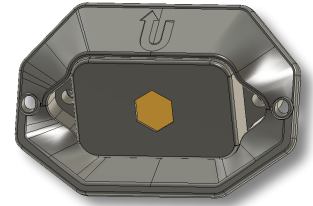
The mounting areas for light brackets, shown in PINK and ORANGE can be used in any configuration necessary to attach your light bar to the brackets.

- **Determine location. Install brackets. Attach light. Center the array of lights in rack. Tighten into place. The bracket hardware to attach to the cross bar will use a 5/32 Allen wrench.**
- **The Z701 brackets should always be attach to the front slot of a cross bar.**



SECTION 5 LIGHTING

scenePOD (Optional Accessory-Not Included)



The optional **scenePOD™** can be paired with Baja Designs Rock lights and installed into the sides of your ZULU roof rack for ultimate trail and camp site visibility.

Your roof rack has the provisions for this option built in from the factory. You just need to remove the pre-cut area to make room for the pod by following the steps below.

You will need the following tools to complete this step: (Not Included)

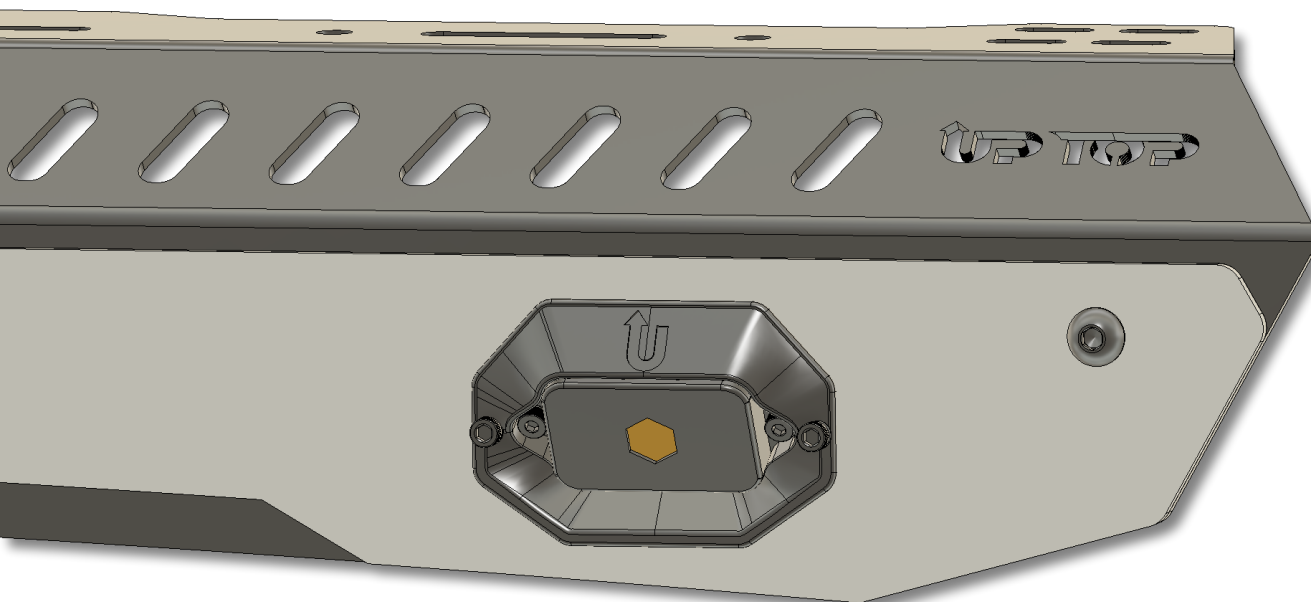
- Small snips and/or a small saw blade, as well as a file.
- Cordless drill
- 3/16" drill bit

If you haven't already, please refer to page 6 of this guide to identify the factory tabs that must be removed from your Ambi-Armor to make room for your scenePOD.

NOTE

Don't worry. The Ambi-Armor is aluminum and the tabs are very small. They are very easy to remove. Use the file to remove any burrs. The scenePOD is an exact fit in the hole. Any remaining tab will make the scenePOD hard to install.

- **With the material removed flip the rack assembly side over to access the factory cut screw holes found on the inner rack body. Use the holes as a guide and with the cordless drill and 3/16" drill bit drill through the inner rack body and completely through the Ambi-Armor at each location.**
- **Use the hardware provided with the Baja Designs rock light to install the light into the pod, and the pod into the rack body.**
 - The short screws will secure the rock light into the pod.
 - The longer screws along with the washers and nuts will be used to attach the scenePOD to the rack body.



SECTION 5 LIGHTING

ELECTRICAL DISCLAIMER

It is the responsibility of the end user and/or installer to verify that all electrical circuits are properly fused and terminated to prevent damage to persons or property resulting from improper installation or product failure.

- **Verify all circuits with a digital multimeter prior to interfacing with circuit.**
- **Protect all aftermarket wiring and components from damage with appropriate sheathing, connections, and mounts.**
- **DO NOT** place lighting or electrical wiring in close proximity to heat producing sources like the engine or exhaust.
- **DO NOT** place lighting or electrical wiring in close proximity to mechanical or moving parts of the vehicle.
- **Use the proper fuse rating for all aftermarket wiring.**
- **DO NOT** interface with, modify, or defeat any factory installed safety systems when installing aftermarket lighting or electrical wiring.
- **Be sure that all lighting components are securely mounted to the vehicle and/or rack system to prevent them from coming free in the event of an accident.**
- **upTOP Overland does not provide any insight as to connection points, fuse requirements, or installation guidance for any products other than those manufactured by upTOP Overland.**
- **If at any time during the installation of any lighting or electrical products you feel uncomfortable in your abilities to complete the installation you are encouraged to seek professional installation from an authorized service center.**
- **Vehicle electrical systems can produce or operate on DC and AC current as well as critical data systems that are not compatible with aftermarket products.**
- **Consult your automotive dealer or work shop if you have questions about aftermarket product compatibility regarding lighting and electrical products.**

SECTION 6 GENERAL INFORMATION

Product Care

Your ZULU roof rack is produced with aluminum, stainless steel, mild steel, urethane, and polyethylene plastic. You should wash and maintain the roof rack in the same manner that you maintain the exterior of your vehicle avoiding harsh chemicals and abrasive cleaners to protect the finish.

Powder coated finishes are designed to be durable but are not indestructible. Normal use of the roof rack can result in wear and tear to the finish of the roof rack. Damage to surfaces and components due to normal use are not subject to warranty replacement.

Aluminum parts do not rust or corrode. The stainless steel used in our products does not rust or corrode. Mild steel components can develop surface rust in worn areas that is easily remedied with a bit of touch up paint. Clean the affected area, allow to dry, and apply an automotive grade touch up to the areas to prevent corrosion in those areas. Scuffs, scratches, and chipped parts not reported upon product arrival, and after the product is installed to the vehicle are not subject to warranty replacement.

Hardware corrosion due to environmental factors such as close proximity to salt water are not eligible for warranty replacement. If you live in these areas you should familiarize yourself with steps that can be taken to limit corrosion in these environments. Open request we will provide specific details allowing you to source replacement hardware yourself or we can assist you in placing an order directly with us for replacement hardware that is compatible with your product.

Shipping Damage

Our packaging is certified for use at designated weights by all major carriers. If your package is damaged upon delivery you can choose to refuse the package OR you can accept the package noting the damage to the parcel. Refused shipments will be accepted, inspected and shipped back to the address on file. Any additional shipping charges incurred from refused shipments are the responsibility of the recipient. Open and inspect the contents as quickly as possible and report any shipping damage via email to support@uptopoverland.com using your order number as reference and include as many images as you can to support the claim. We will work with you to remedy the damage either through assistance in filing a damage claim with the carrier or replacing damaged parts at the sole discretion of upTOP Overland.

General Maintenance

It is the responsibility of the end user to inspect and maintain the product at regular intervals to ensure that the product is safe to use. Repair or replace worn or damaged parts as needed. Replacement parts can be sourced by contacting support@uptopoverland.com. Please include your original order number to expedite the process.

Contact Information

upTOP Overland
2278 Manatt Court
Unit C11
Castle Rock, Colorado 80104
720.730.6381
support@uptopoverland.com

Do your part. Our company is founded and staffed by outdoor enthusiasts that understand how fragile our planet really is. The most important message that we can impart to you about enjoying our open spaces is to leave them better than you found them. Don't be a dick. Pick up after yourself. Pick up after others that don't and when possible educate them as to why they should. Stay on designated trails, camp sites, and pathways. If you take it with you, bring it back with you. There are no excuses.

Manufacture responsibly. We strive to produce an American made product that will perform as intended for many years and we try very hard to do that with locally sourced materials from other small businesses because relationships matter to us. When absolutely necessary we will import components for our products from other countries and we maintain strict guidelines for the companies we work with to ensure that their employees are treated with dignity and respect.

Lifetime warranty. As over-engineered as some of our products can be eventually something will break. We will repair or replace at our discretion any product found defective due to manufacturing deficiencies. This warranty does not cover abuse, misuse, neglect, ignorance, or damage caused from exceeding the recommended weight loads of the product. This warranty covers only products manufactured or used in the manufacture of upTOP Overland products. Third party products purchased from upTOP Overland are subject to the origin company the product was sourced from.

Content sharing. We love to see all the pictures and videos of our stuff in action on your rig. You can share the content via email and/or social media 24/7 and if we share it with our audience we will credit the photographers and vehicle owners whenever possible.

upTOP Overland is a US based manufacturer of off road products operating out of Colorado. All information contained in this material is the intellectual property of Relic Automotive Design, dBA upTOP Overland. Duplication, alteration, or distribution of this material without express written permission from upTOP Overland is forbidden. Just. Don't.