

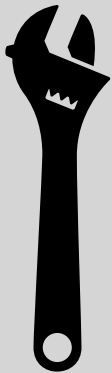


Rapid Release Awning

- RR-AWN-STA
- RR-AWN-ZLU

Thank you for trusting upTOP™ as your choice for adventure gear. We proudly design, develop, test, and manufacture our products along the front range of the Rocky Mountains in Colorado.

A lot of thought has gone into this product design so that you can install and maintain the product yourself. Browse these instructions to familiarize yourself with the process and required tools prior to beginning your installation. If at any time you do not feel confident completing the installation yourself we recommend professional installation of this product through our network of authorized resellers all over the globe. You can find more information about authorized retailers and installation centers under our dealer locator tab located on our website.



TOOLS REQUIRED:

- Tools to remove your roof rack cross bars (Standard Only)
- 7/16 wrench
- Tape Measure
- Tools to install your awning or shower*

**Awnings and shower units are not included with the purchase of this mounting accessory. See page 2 for dimensional information regarding awning and shower compatibility.*

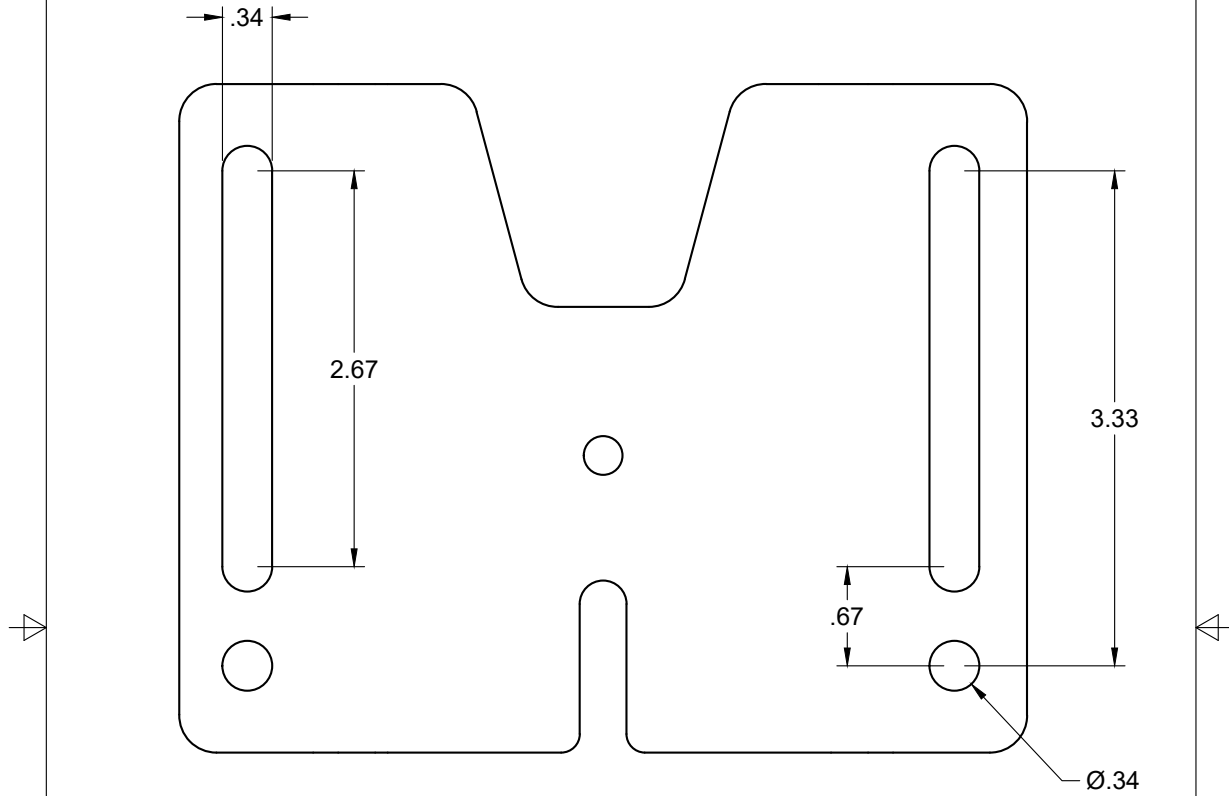
This kit does not include the hardware for attaching your awning or shower to the Rapid Release mounting system as we intend for you to use the hardware that arrived with your awning or shower.


NOTES ABOUT INSTALLATION

- This product allows quick removal of awning and shower units without tools.
- Proper installation and use of retention pins are critical to the safe operation of this mounting accessory.
- Failure to install retention pins into face plates can result in the awning or shower coming loose from the vehicle. It is the responsibility of the vehicle operator to ensure that the retention pins are properly installed prior to operating vehicle.
- These products are compatible with the following:
 - RR-AWN-STA**
Roof and bed racks equipped with 2"(inch) cross bars as well as extrusions with center line M8 hardware channels. (Remove lower cross bar brackets, additional hardware required).
 - RR-AWN-ZLU**
upTOP Overland ZULU series roof racks with formed body sides.

Mounting Measurements

Use the drawing below to compare the mounting slots on the back of your shower or awning to make sure your mounting measurements jive with the plates included with your Rapid Release kit.



	PROJECT			Z703 Rapid Release Face Plate		
	TITLE			Z703		
				.119 304 SS formed		
Raw finish for tolerance compliance with supplied hardware						
APPROVED mw	3.20.23	SIZE	CODE	DWG NO	REV	
CHECKED ja	3.26.23	A		Z703.002	2	
DRAWN M.Williams	3.4.23	SCALE 1:1	WEIGHT 14 oz	SHEET 1/1		



STANDARD

RR-AWN-STA

- Not for use with ZULU roof racks. For ZULU roof racks see page(s) 8-14.

GENERAL INFORMATION

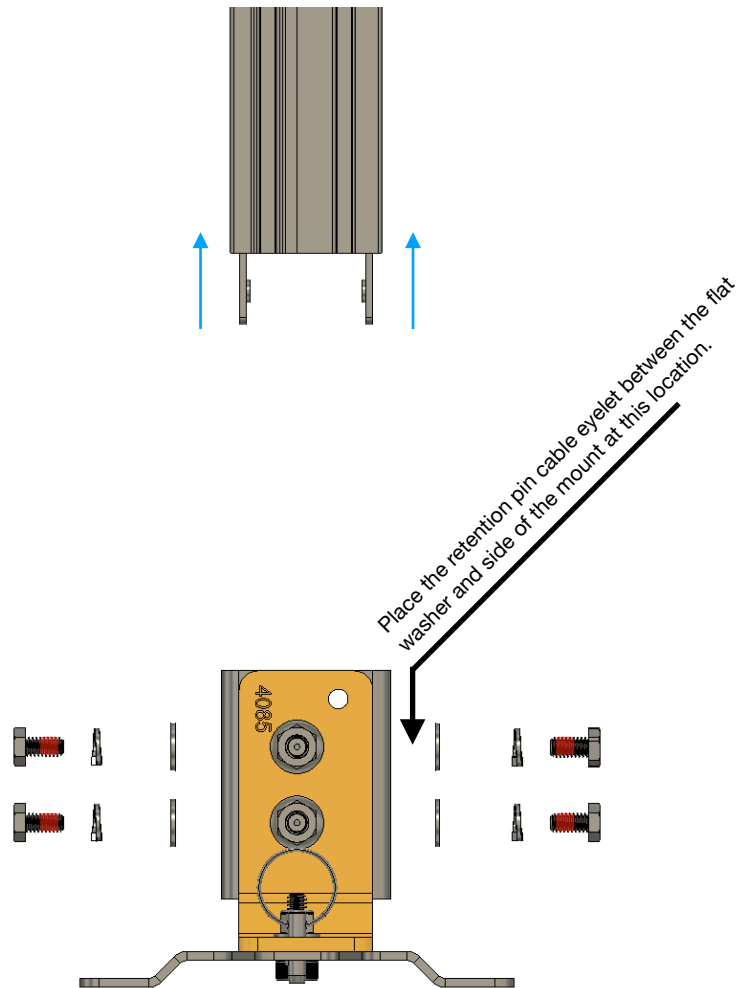
For proper installation you want the pair of brackets included with your kit **as far apart as possible**. This will be determined by the length of your awning or shower, access to unobstructed cross bars in your roof rack (storage boxes, recovery boards, etc..can be in the way).

Determine the side of the vehicle that you want to mount your awning or shower and pick the two cross bars that you will attach the RR brackets. Be sure that the cross bars you intend to use are 2" wide.

- Gather the tools you need to temporarily remove the cross bars from your roof rack, remove the hardware from the cross bars, and get access to the ends of the cross bar.

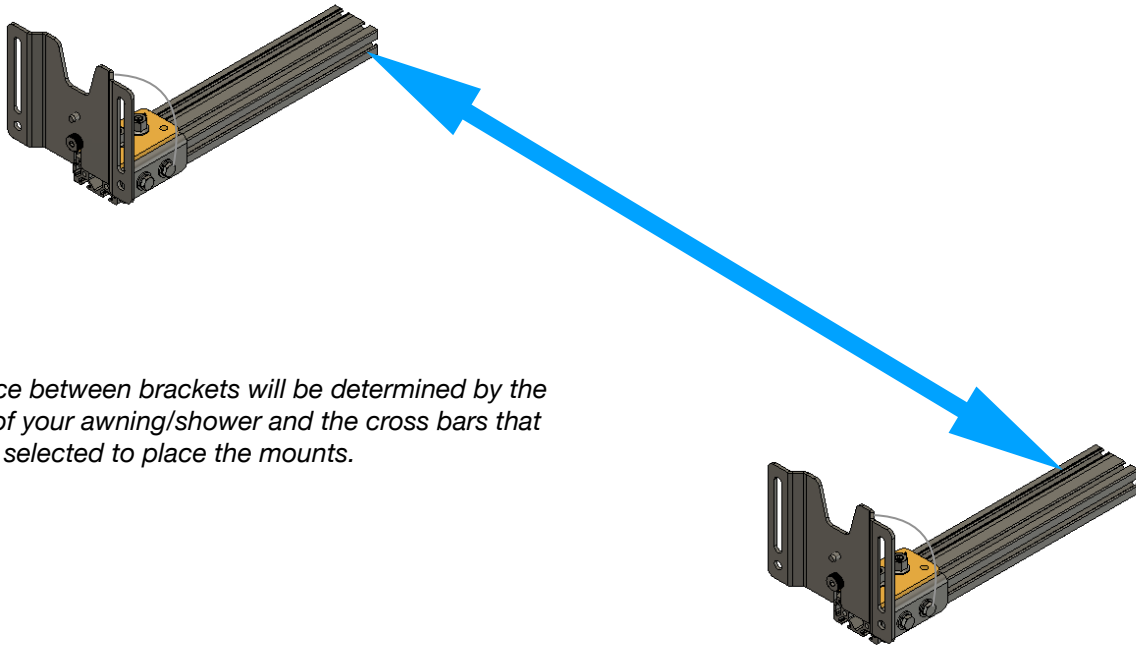
Attaching 4084 to cross bars...

- Slide a threaded insert into each side of both cross bars you will be attaching the mounts onto.
- Put your cross bars back into the roof rack and reinstall your mounting bolts.
- Apply the included VC3 thread compound to the fasteners and allow to air dry for 30 minutes. Never install wet.
- Place a mounting bracket so it straddles the cross bar and install the hardware as shown below using a 7/16 wrench or ratchet/socket combination.
- Leave the hardware loose enough that it's easy to slide the mounting bracket back and forth along the cross bar.
- Install the other bracket to the remaining cross bar using the same steps.



STANDARD

RR-AWN-STA



Distance between brackets will be determined by the width of your awning/shower and the cross bars that you've selected to place the mounts.

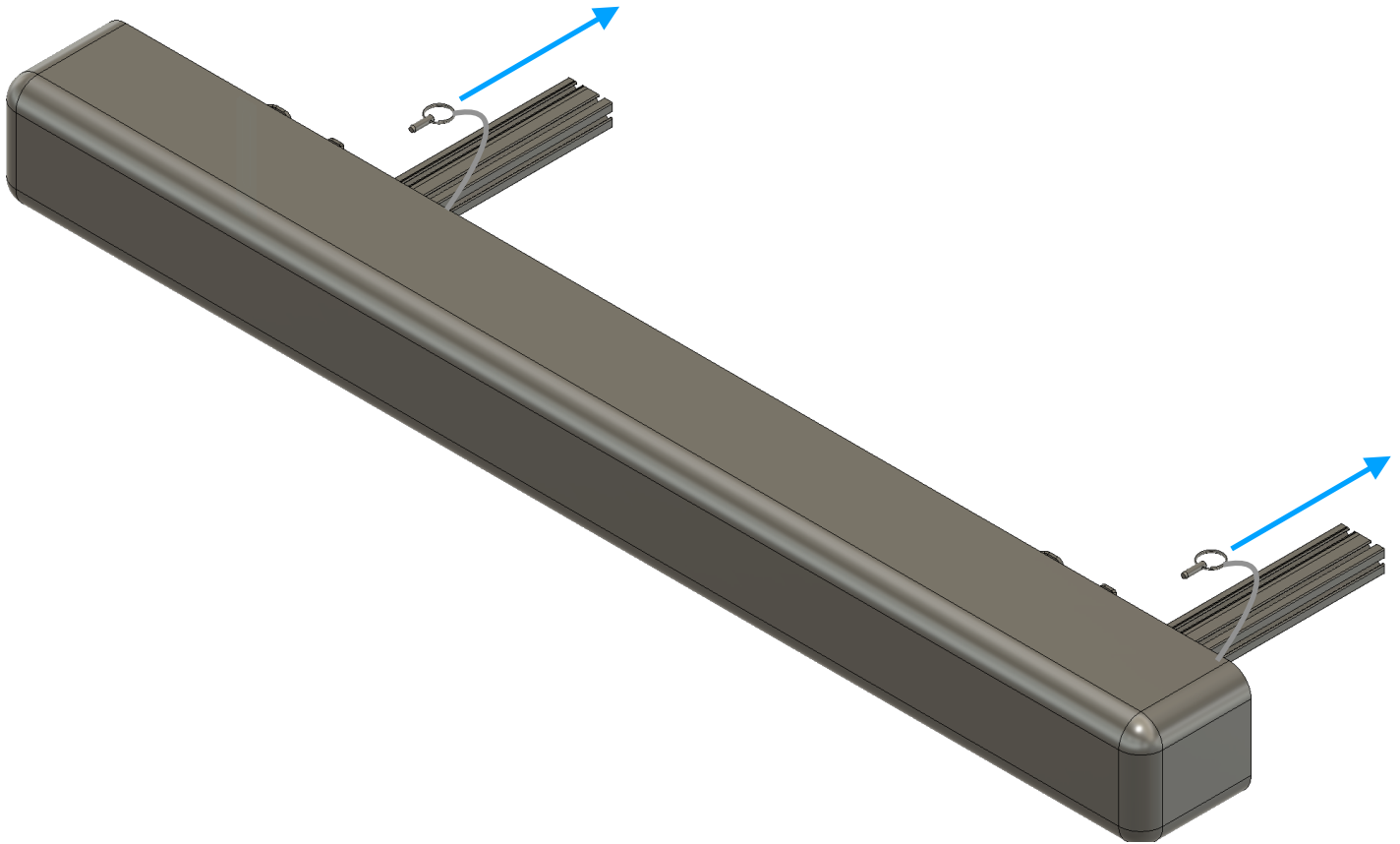
Installing the face plates...

The face plates are the places that your awning or shower will attach. In order to ensure a tight fit tolerance and easy operation these plates are made from stainless steel and delivered to you unfinished. This material was carefully selected because it does not require a powder coated finish to resist corrosion when left to the elements for long periods of time.

- *Align the slot at the bottom of the face with the factory installed shoulder bolt on the mount attached to your cross bar.*
- *Install the retention pin in the hole located directly above the shoulder bolt.*
- *With the pin installed the face will be held in place parallel to the ground and level at both mounting locations so that you can install your awning or shower.*
- *Slide the mounting brackets out to the edge of your roof rack making sure that they are both even with each other.*
- *Fully tighten the mounting hardware with a 7/16 wrench attaching the brackets to the cross bars.*
- *Using the hardware included with your awning or shower line up and install the unit to the face plates on your rapid release mounts.*

STANDARD

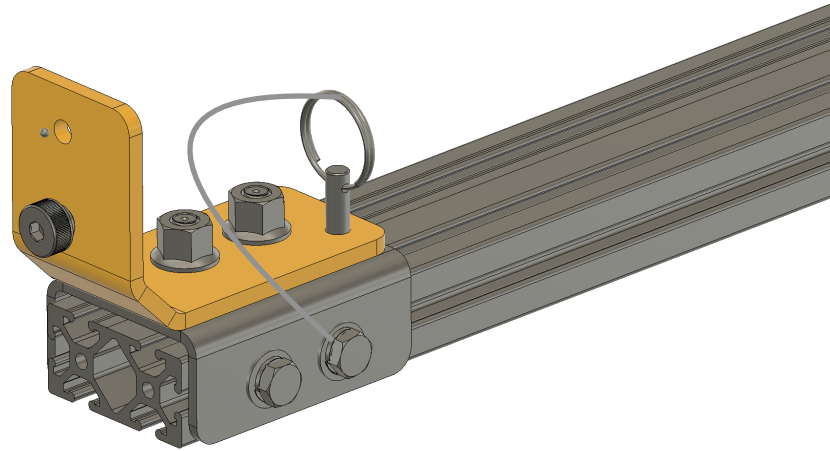
RR-AWN-STA



To remove your awning or shower...

- *Use the rings in your retention pins to pull them backward and unseat them from the mount and face of your awning/shower mounts.*
- *Carefully support the awning/shower and push up to release the slots in the faces from the shoulder bolts.*
- *Remove the awning/shower from the vehicle.*
- *Your mounting brackets have a storage hole to keep the retention pins secure when an awning or shower is removed from the vehicle, shown on next page.*

STANDARD
RR-AWN-STA

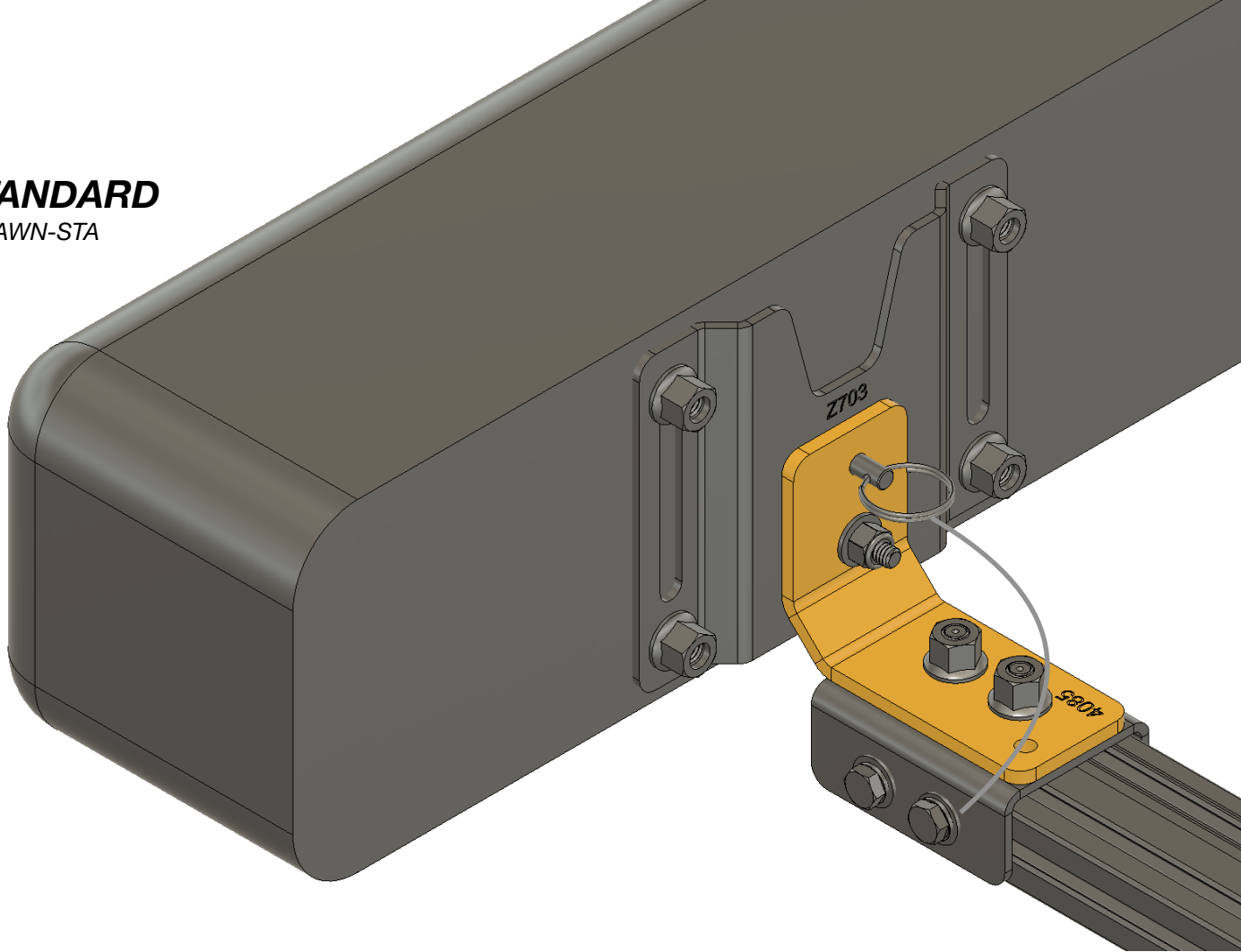


Pin Keepers...

In order to keep the pins secure when the awning or shower is removed you can locate and install them into the hole as shown above.

STANDARD

RR-AWN-STA



Installing your awning or shower....

Use the reverse order of removal to put the awning or shower back on the vehicle.

- *Lift the awning/shower up and align the slot in the mounting face to the shoulder bolts.*
- *Fully seat the awning/shower by pushing down on the unit near each mount.*
- *Reinstall the retention pins being sure that the detents are fully engaged to prevent loosening.*

If you have trouble aligning the pins or they are difficult to put in double check your awning/shower attachment to the face plates and be sure that the face plates are as straight (level) as possible. Small adjustments can make a big difference. If things are a little out of alignment the pins can be a bit difficult to install at first. After a few uses things tend to settle and they will go in easier.

WARNING

There are two things that keep the awning or shower securely mounted to your vehicle. Gravity, which will let you down every time ;), and the retention pins. DO NOT operate the vehicle with the awning or shower installed without the retention pins installed.

ZULU

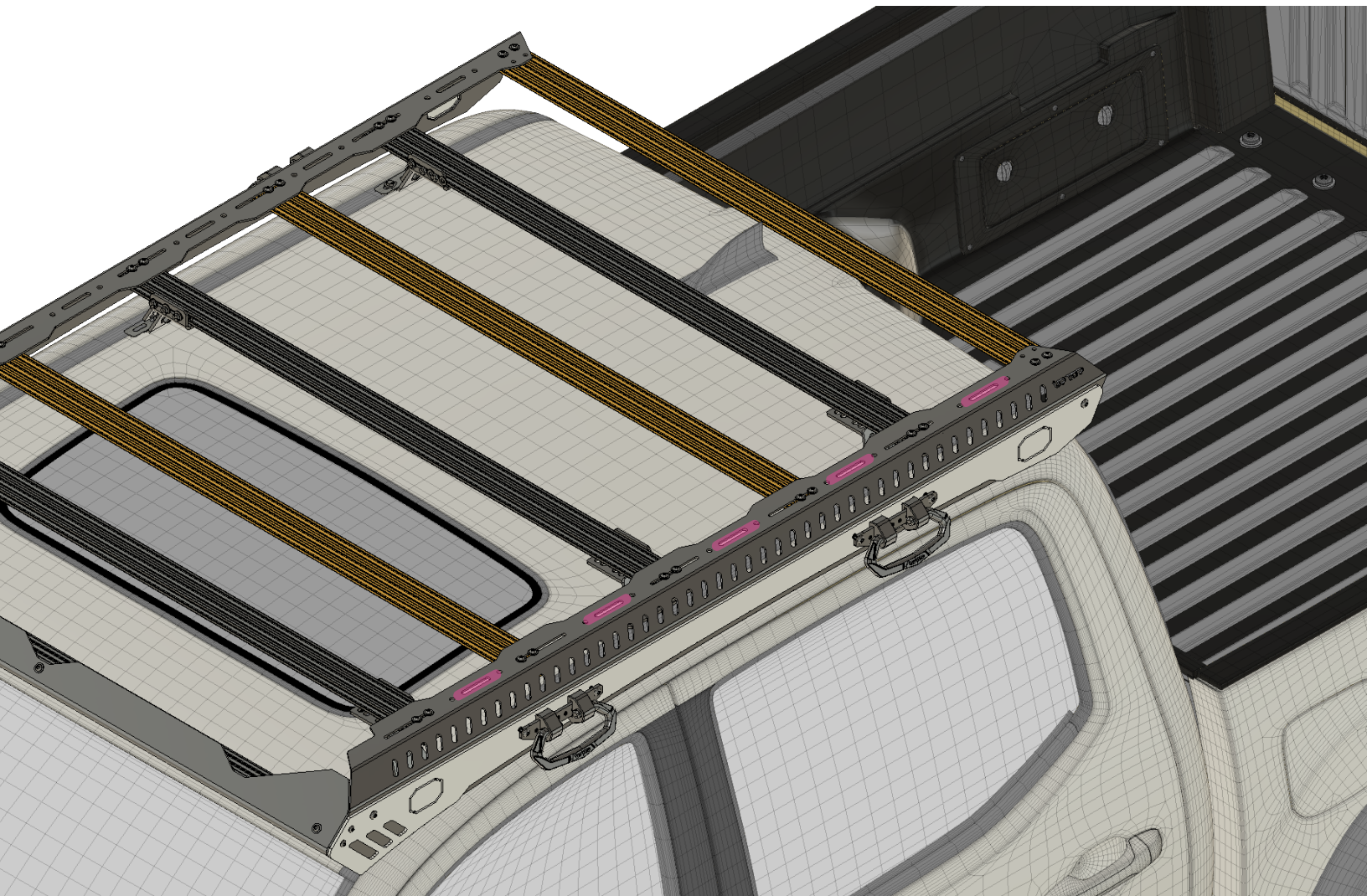
RR-AWN-ZLU

GENERAL INFORMATION

For proper installation you want the pair of brackets included with your kit **as far apart as possible**. This will be determined by the length of your awning or shower, access to unobstructed mounting slots in your roof rack body (storage boxes, recovery boards, etc..can be in the way).

Determine the side of the vehicle that you want to mount your awning or shower and pick the two locations that you will attach the RR brackets. Your ZULU Rapid Release system includes two types of mounting hardware:

- 5/16 sized hardware for the larger mounting slots along the top of your roof rack.
- 1/4 sized hardware for using the locations where you may already have a cross bar installed.



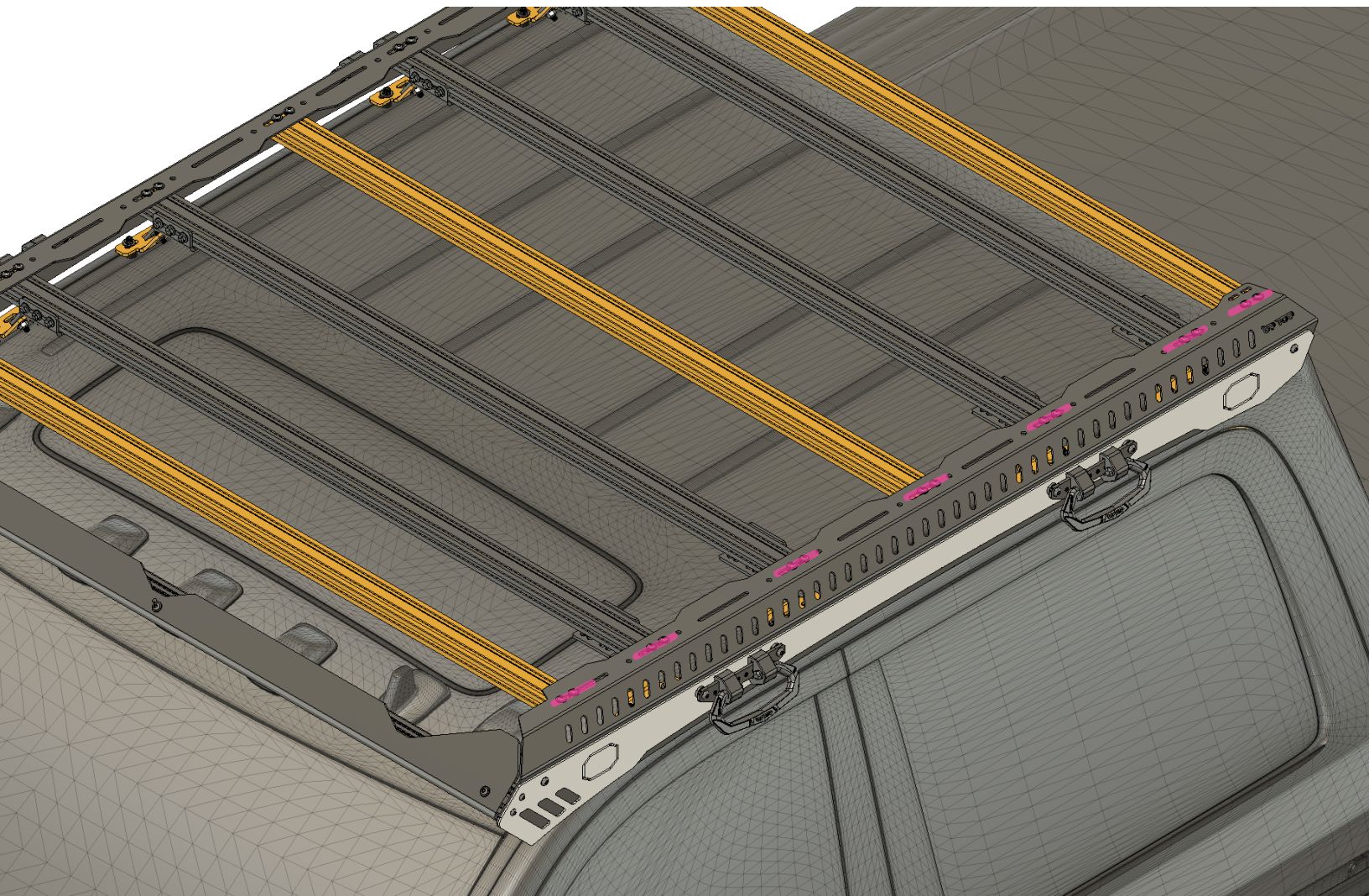
In this image the larger slots are shown in **PINK**. Depending on the mounting configuration of your ZULU roof rack these locations may be open/unused and you would be able to attach your brackets using the larger provided hardware.

ZULU

RR-AWN-ZLU

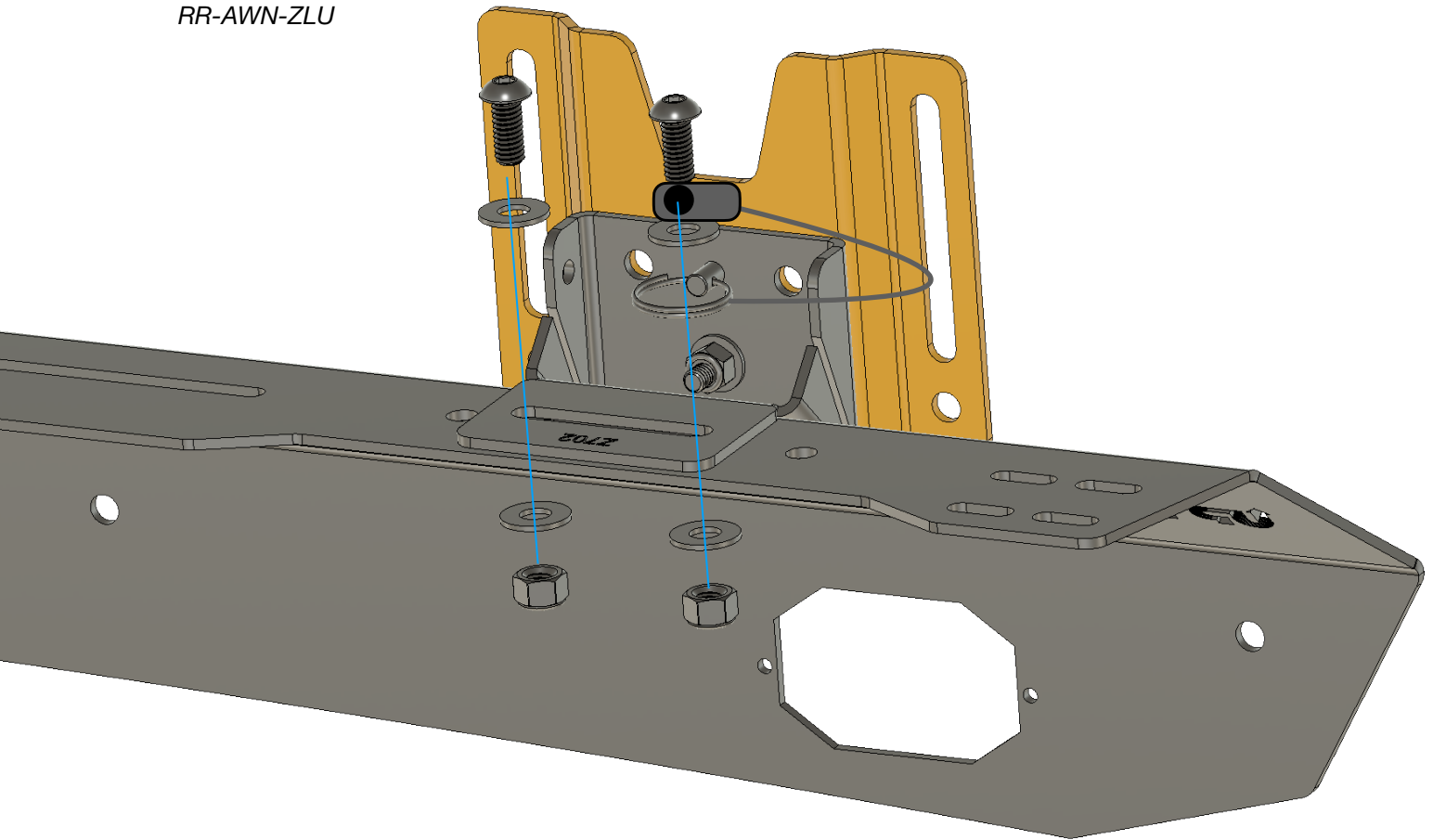
If you choose to install your mounting brackets in locations where you already have cross bars installed into your slots we have provided replacement hardware that is a bit longer than your stock ZULU hardware to allow you to do this.

You will remove and discard the bolts, lock washers(if equipped), and flat washers and replace them with the longer hardware included with your RR-AWN-ZLU kit. The threaded inserts in your ZULU roof rack cross bars will be reused and you should not have to remove the cross bars from the roof rack body to mount in this configuration.



*In this image the filled (cross bar) slots are shown in **PINK**. If you want to use any of these locations for your mounting brackets you would use the longer (smaller diameter) hardware to replace the ZULU factory hardware. Be sure to apply VC3 thread compound to the bolts.*

ZULU
RR-AWN-ZLU



Mounting your brackets.....

Line up the mounting slot in your bracket and install the hardware as shown above.

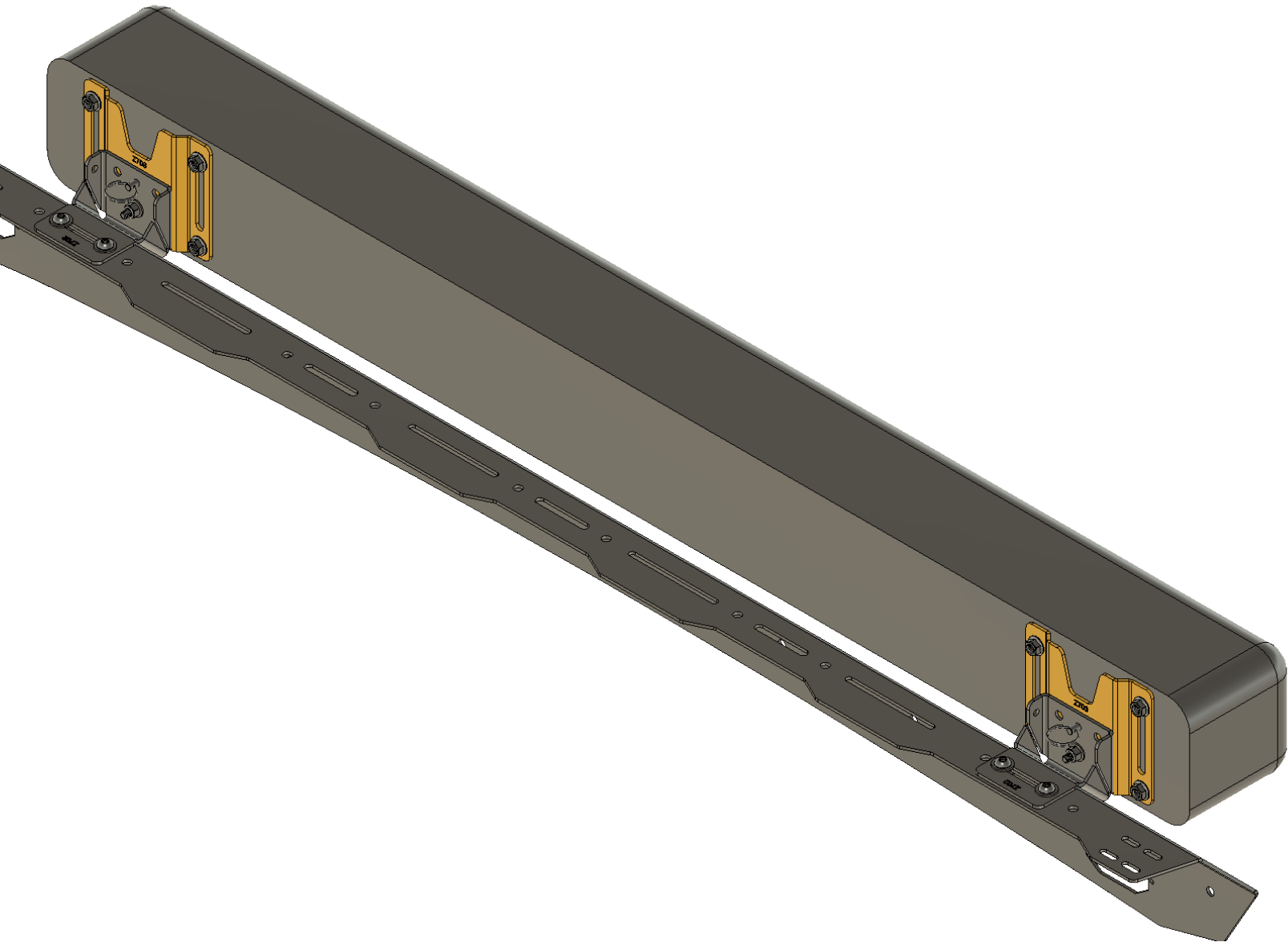
- *The eyelet for the retention pin cable should be placed between a bolt/washer (either one, it doesn't matter which) and attached along with the mounting hardware.*

This image shows the included larger hardware to be used on the larger slots in your ZULU roof rack. If you are attaching to a cross bar location you'll be using the smaller hardware. In that instance place the eyelet for the retention pin cable between the washer and bracket.

Tighten the hardware with a 3/16 Allen wrench and 1/2 wrench (larger hardware) or a 5/32 Allen wrench (cross bar).

- *Repeat to install the second mounting bracket at the opposite end of the roof rack.*

ZULU
RR-AWN-ZLU

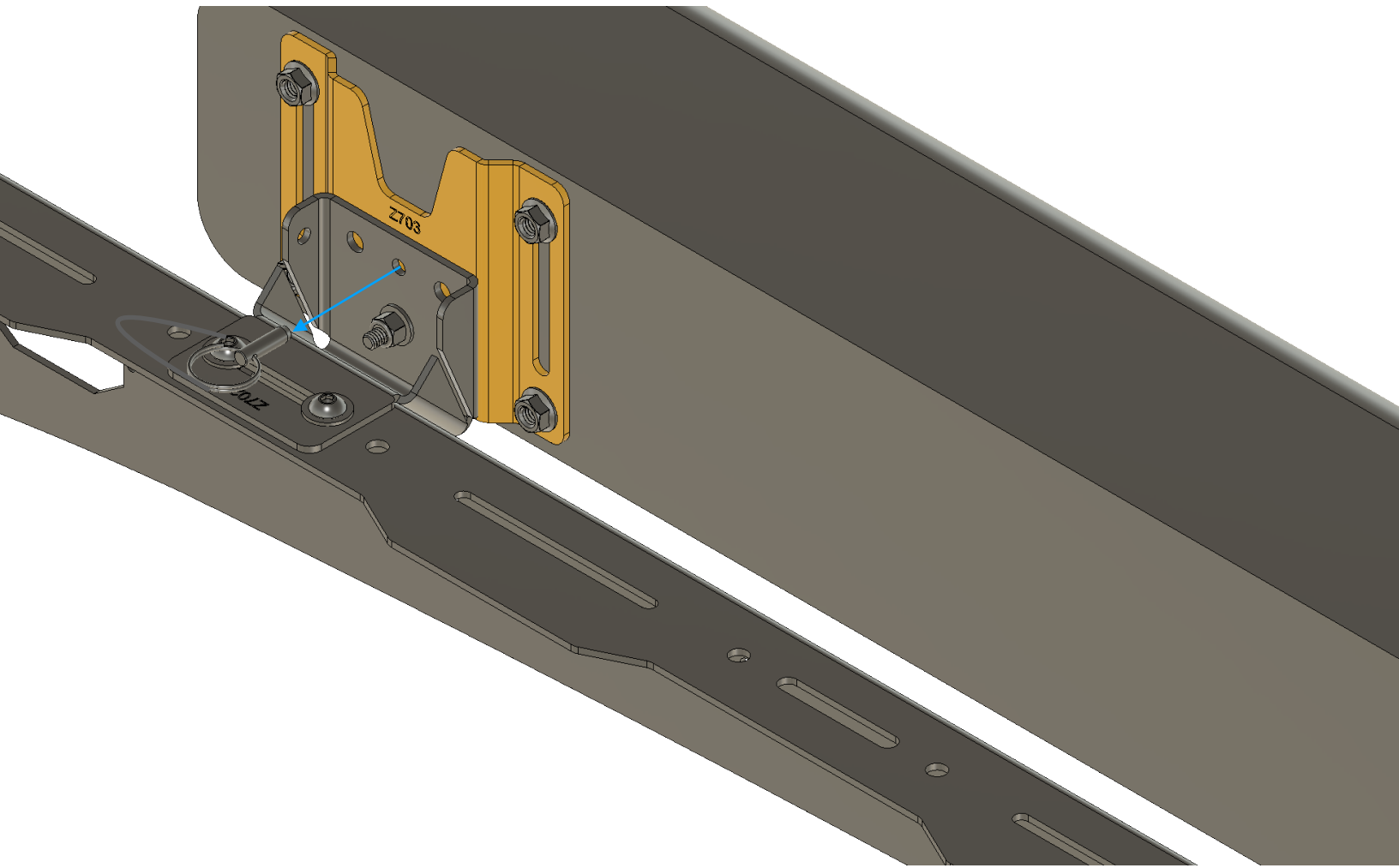


Installing your awning/shower...

You will use the mounting hardware provided with your awning/shower to attach the unit to your Rapid Release face plates (Z703). The face plates are provided in unfinished stainless steel to allow tolerance for easy removal/installation of the awning or shower.

- *Carefully line up your awning/shower with the mounting brackets and attach.*

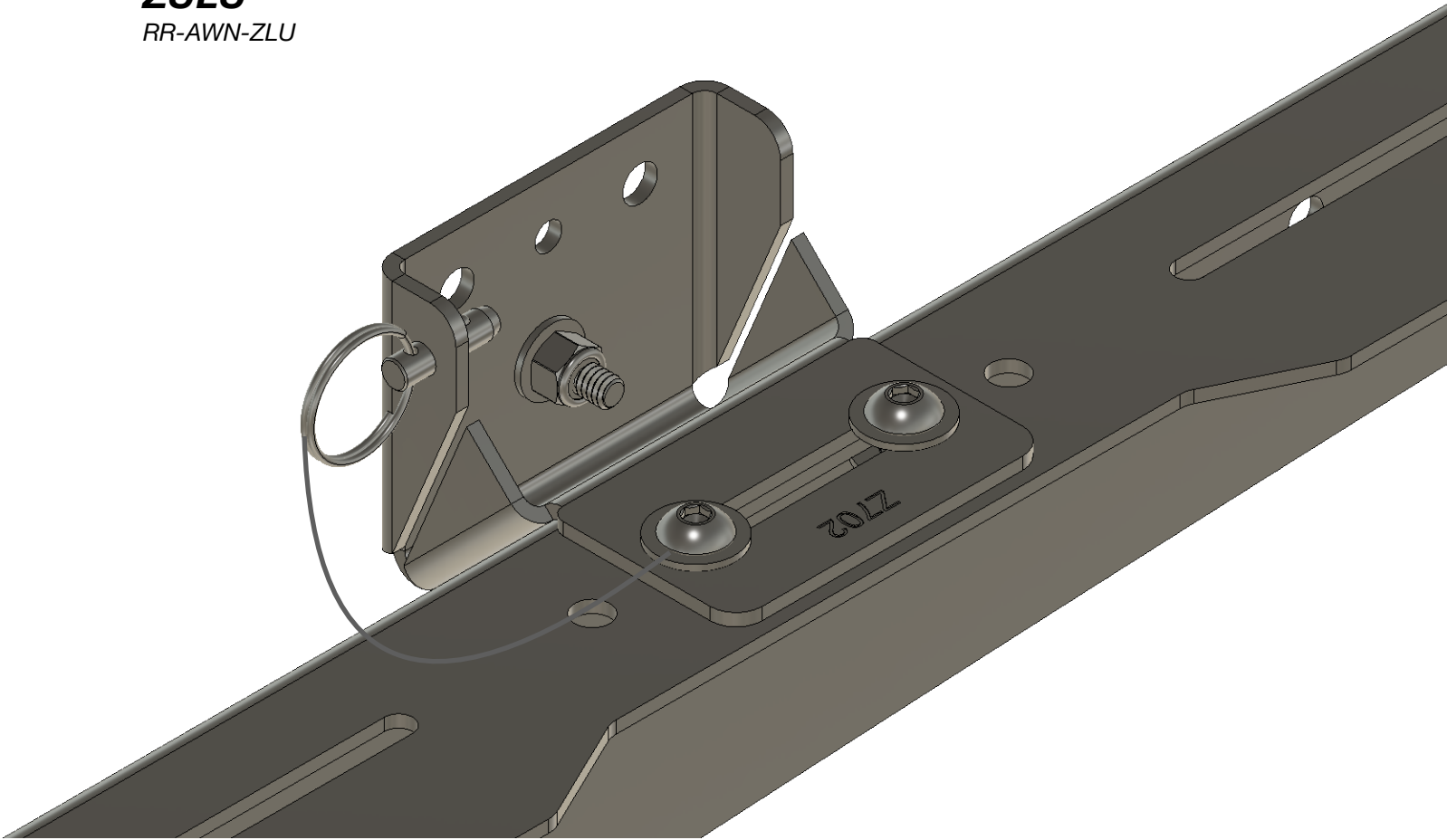
ZULU
RR-AWN-ZLU



To remove your awning/shower...

- *Use the ring to pull out the retention pin as shown on both mounting brackets.*
- *Carefully push up on the awning/shower so that the slot in your Z703 face clear the shoulder bolt installed in the bracket attached to your roof rack.*
- *Remove the awning/shower from the vehicle.*

ZULU
RR-AWN-ZLU

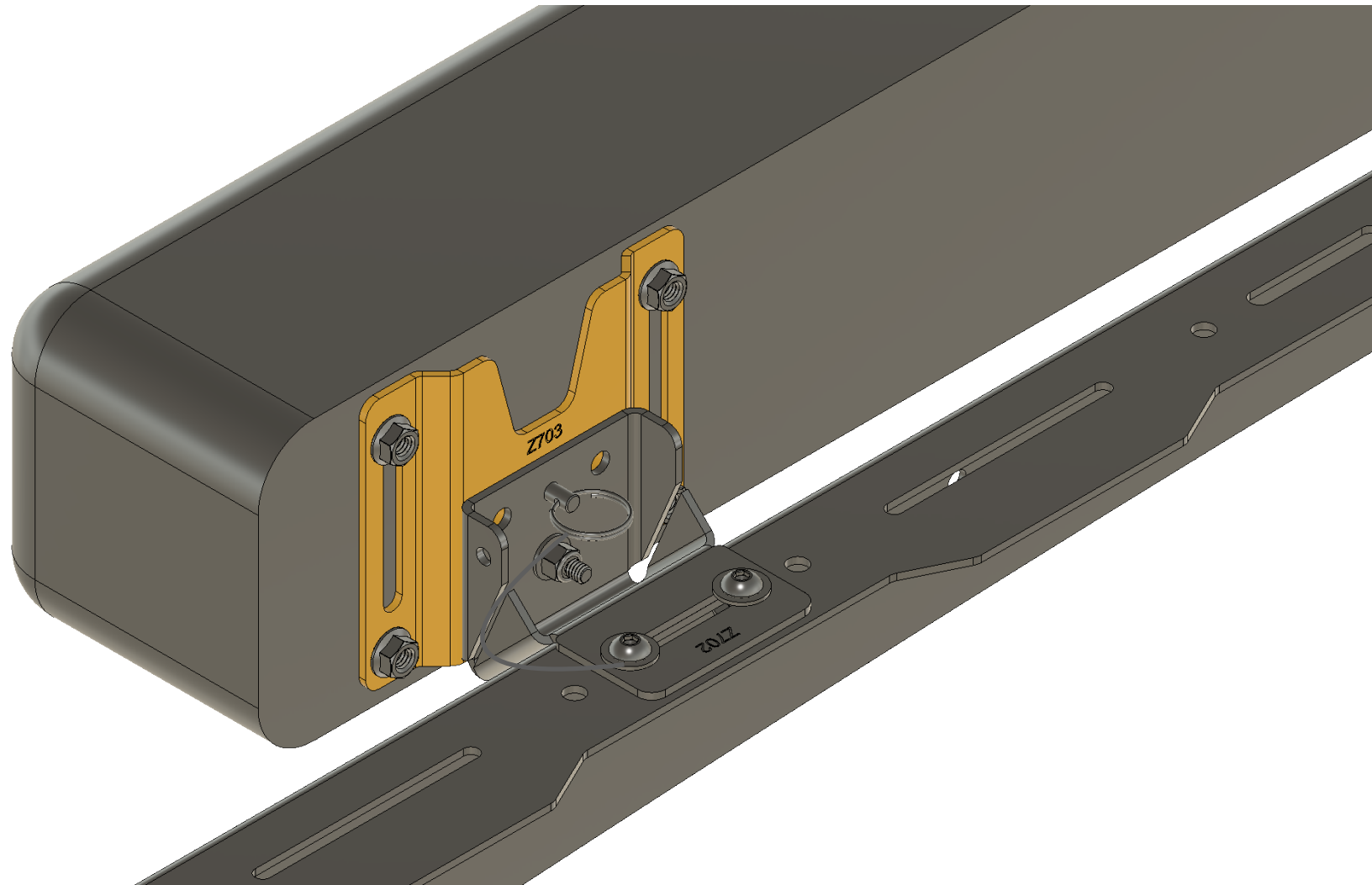


Retention Pin Storage...

- *Place the retention pin in the hole on the side of the bracket as shown when the awning/shower is removed from the vehicle making sure that the ball bearing is passed through the hole to keep it from pulling out.*

ZULU

RR-AWN-ZLU



Installing your awning or shower....

Use the reverse order of removal to put the awning or shower back on the vehicle.

- *Lift the awning/shower up and align the slot in the mounting face to the shoulder bolts.*
- *Fully seat the awning/shower by pushing down on the unit near each mount.*
- *Reinstall the retention pins being sure that the detents are fully engaged to prevent loosening.*

If you have trouble aligning the pins or they are difficult to put in double check your awning/shower attachment to the face plates and be sure that the face plates are as straight (level) as possible. Small adjustments can make a big difference. If things are a little out of alignment the pins can be a bit difficult to install at first. After a few uses things tend to settle and they will go in easier.

WARNING

There are two things that keep the awning or shower securely mounted to your vehicle. Gravity, which will let you down every time ;), and the retention pins. DO NOT operate the vehicle with the awning or shower installed without the retention pins installed.

Contact Information

upTOP Overland
2278 Manatt Court
Unit C11
Castle Rock, Colorado 80104
720.730.6381
support@uptopoverland.com

Do your part. Our company is founded and staffed by outdoor enthusiasts that understand how fragile our planet really is. The most important message that we can impart to you about enjoying our open spaces is to leave them better than you found them. Don't be a dick. Pick up after yourself. Pick up after others that don't and when possible educate them as to why they should. Stay on designated trails, camp sites, and pathways. If you take it with you, bring it back with you. There are no excuses.

Manufacture responsibly. We strive to produce an American made product that will perform as intended for many years and we try very hard to do that with locally sourced materials from other small businesses because relationships matter to us. When absolutely necessary we will import components for our products from other countries and we maintain strict guidelines for the companies we work with to ensure that their employees are treated with dignity and respect.

Lifetime warranty. As over-engineered as some of our products can be eventually something will break. We will repair or replace at our discretion any product found defective due to manufacturing deficiencies. This warranty does not cover abuse, misuse, neglect, ignorance, or damage caused from exceeding the recommended weight loads of the product. This warranty covers only products manufactured or used in the manufacture of upTOP Overland products. Third party products purchased from upTOP Overland are subject to the origin company the product was sourced from.

Content sharing. We love to see all the pictures and videos of our stuff in action on your rig. You can share the content via email and/or social media 24/7 and if we share it with our audience we will credit the photographers and vehicle owners whenever possible.

upTOP Overland is a US based manufacturer of off road products operating out of Colorado. All information contained in this material is the intellectual property of Relic Automotive Design, dBA upTOP Overland. Duplication, alteration, or distribution of this material without express written permission from upTOP Overland is forbidden. Just. Don't.