



Proaim Lanc Zoom Controller

(P-ZC-3DV)

INSTRUCTION MANUAL



All rights reserved

No part of this document may be reproduced, stored in a retrieval system, or transmitted by any form or by any means, electronic, mechanical, photocopying, recording, or otherwise, except as may be expressly permitted by the applicable copyright statutes or in writing by the publisher.

INTRODUCTION

Proaim's Lanc zoom controller is a universal controller for both LANC and Panasonic DV cameras, with a converter switch that allows for variable-zoom speed from slow to fast. The zoom lever allows you to zoom out to wide-angle or zoom in to telephoto. Lightweight and compact controller features an outlet cable that can be clamped on tripod pan handles, monopods, stabilizers, and other such devices. Works perfectly with Sony, Panasonic & Canon cameras with a 2.5mm mini-jack LANC input.

IN THE BOX

Please inspect the contents of your shipped package to ensure you have received all that is pictured and listed below.



Warning: Before operating this equipment, please read this manual carefully and retain this for future reference.

This equipment may cause harmful, if not installed and used in accordance with this manual. Please follow this instruction for your safety reason.

ATTENTION TO USERS

CAUTION: This equipment may cause harm, if not installed and used in accordance with following instructions.

- Change over to corresponding camera mode.
- Make sure that cable terminal position is fit to unit.
- Wrong usage is causing problem.
- Do not fix by excessive force which cause unexpected damage.
- Do not use excessive force during usage.
- Do not pull out the cable which may cause malfunction.

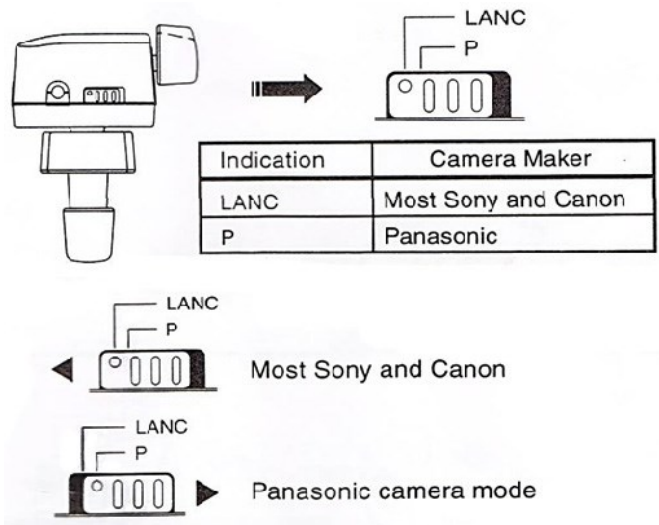
- Please avoid water and rain drop in order to avoid the malfunction.
- Do not subject this unit to strong vibrations or shocks
- Do not expose the unit in direct sunlight, near heat producing objects, in a hot car, or in other hot places, as this may deform or discolour the unit.
- Do not apply organic solvent such as thinner.
- Misuse of this product may cause damage or malfunction.
- Do not disassemble or modify which may cause faulty.

CAUTION FOR USERS

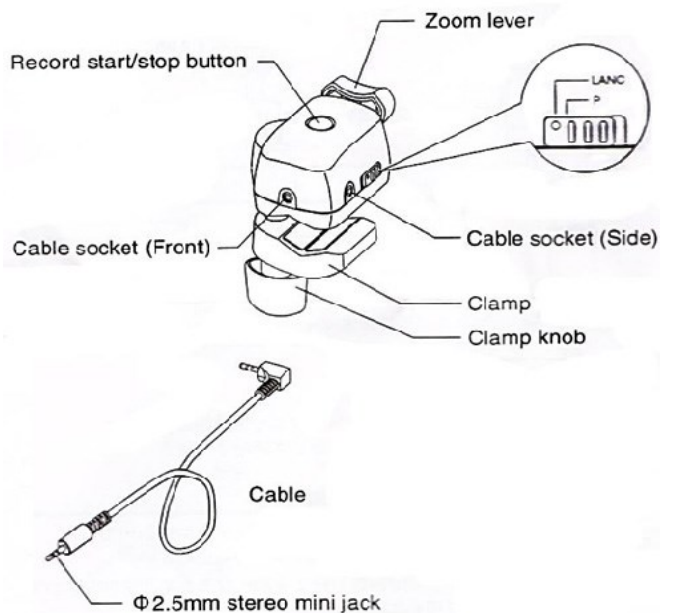
1. Change the camera mode.
 Not all function may be available depending on camera working mode (e.g).
 If using Sony camera memory mode the “Record start/stop” functions are not working.
 And some functions may not work with some old cameras.
2. Keep the cable socket and stereo mini jack clean at all times.
3. Remove the unit after usage.

SET THE CORRESPONDING MODE

Following are abbreviation for camera manufacturers for setting the mode



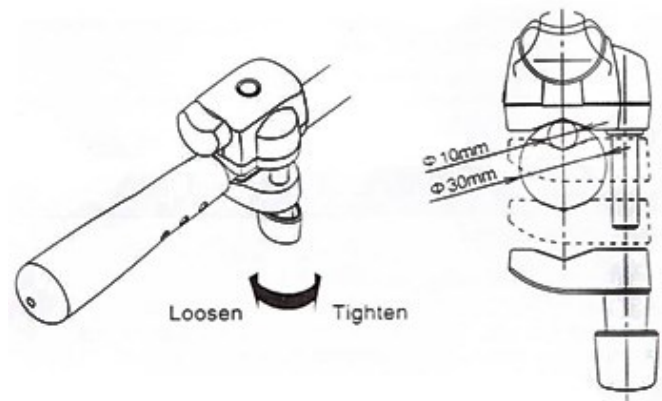
DETAILS OF ZOOM CONTROL



ATTACH TO THE PAN HANDLE

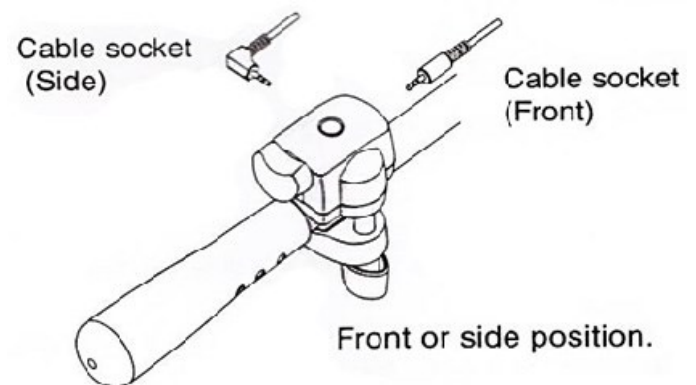
1. Loosen the clamp knob till enough space is available.
2. Attach to the pan handle.
 - 1) Centre of pipe is to be fit to clamp "V" shape.
 - 2) Firmly tighten the clamp by using hands.

CAUTION: Do not use excessive force.



FIX THE CABLE TO ZOOM UNIT

1. Cable socket is available both front and side.
2. Insert the cable either depending on situation.
It is working as same both front or side position.



ATTACH THE CABLE TO CAMERA

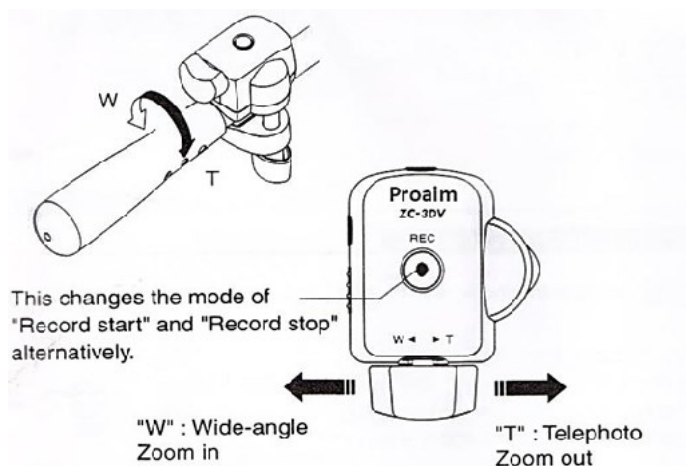
Make sure that switch is changed to corresponding mode.

1. Make sure that position is available on camera.
2. Make sure that camera is switched off.
3. Insert the cable at designated position.

CAUTION: Do not insert at wrong position which will cause unexpected damage.

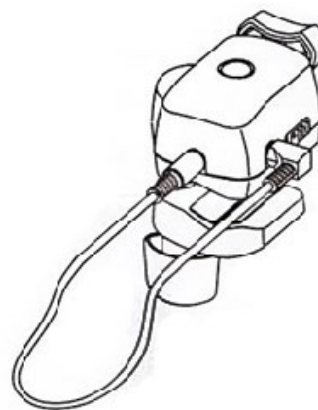
OPERATION

- Record start/stop button
This changes the mode of "Record start" and "Record stop" alternatively.
- Zoom lever (Variable speed zoom)
"W" Indication: Turn toward "W" to zoom out to wide-angle.
"T" Indication: Turn toward "T" to zoom out to telephoto.



STORAGE

When do not use, insert the stereo mini jack into both side as indicated.



SPECIFICATION

Clamp distance: Φ 10mm (0.39 inch) – Φ 30mm (1.18 inch)

Cable Socket : Φ 2.5mm stereo mini jack

Cable length : Φ 510mm (20 inch)

WARRANTY

We offer a one year warranty for our products from the date of purchase.

We will repair or replace your product, free of charge, in the event of a defect in materials or craftsmanship obtained during normal use or handling based on the user manual. Please note that we will not cover any shipping costs for returning the product to us. If any VAT or import duties are applied to the return, we will also charge these costs to the customer.

The warranty does not include, by the way of example, damage caused by products that we do not supply or from mishandling in transit, accident, misuse, neglect, lack of care of the product , or service by anyone other than our company.

We are not liable for incidental or consequential damages resulting from the use of the unit or occurring due to any breach of this warranty.

Replacement parts of the product will be provided at nominal cost (covering the cost price of the replacement parts only) to the customers after the Warranty Period has expired. We will cover the complete cost of sending replacement parts within the warranty period. After that, Nominal cost of the product & Actual shipping cost will be charged.

Do not send the unit to us without first getting a response and getting the approval to send back the item.

In case of any kind of dissatisfaction, we urge you to Contact us immediately and we shall do our best to help you out.

For any other assistance you can reach us via email.