

PRODUCT DATA SHEET



PRODUCT - DATA

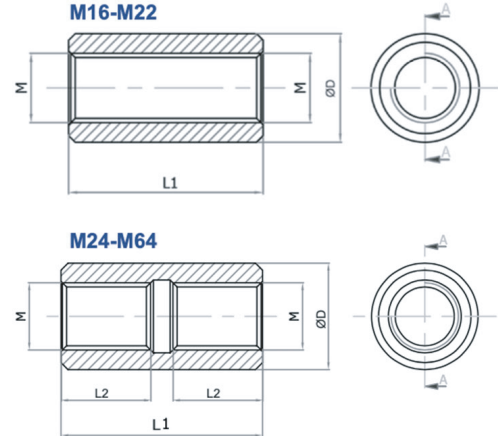
SRA1
HTR 560 joiner

SRA1

Technical Data
Production : Bar material
Surface treatment : "M.F." (Matt finished)



M SRA1
Metric HTR 560 joiner



SRA1 SS316	SIZE M (mm)	ØD (mm)	ØD (inch)	L1 (mm)	L1 (inch)	L2 (inch)	L2 (inch)	Unit Weight (kg.)	Unit Weight (lb)	Yield Strength (Mpa.)	Tensile Strength (Mpa.)
SRA1-0016	M16	25.00	0.98	45	1.77	-	-	0.11	0.05	515	650
SRA1-0020	M20	31.75	1.25	56	2.20	-	-	0.22	0.10	515	650
SRA1-0022	M22	34.52	1.36	60	2.36	-	-	0.28	0.13	515	650
SRA1-0024	M24	38.00	1.50	72	2.83	32	1.26	0.40	0.18	515	650
SRA1-0027	M27	42.00	1.65	76	2.99	35	1.38	0.51	0.23	515	650
SRA1-0030	M30	46.00	1.81	92	3.62	42	1.65	0.73	0.33	515	650
SRA1-0033	M33	52.31	2.06	100	3.94	46	1.81	1.06	0.48	460	620
SRA1-0036	M36	56.33	2.22	112	4.41	52	2.05	1.33	0.61	460	620
SRA1-0039	M39	60.00	2.36	118	4.65	55	2.17	1.61	0.73	460	620
SRA1-0042	M42	65.00	2.56	130	5.12	60	2.36	2.09	0.95	380	550
SRA1-0045	M45	72.00	2.83	138	5.43	64	2.52	2.82	1.28	380	550
SRA1-0048	M48	76.00	2.99	146	5.75	68	2.68	3.37	1.53	380	550
SRA1-0052	M52	84.00	3.31	154	6.06	72	2.83	4.40	2.00	380	550
SRA1-0056	M56	86.00	3.39	168	6.61	78	3.07	4.74	2.15	380	550
SRA1-0060	M60	92.00	3.62	180	7.09	84	3.31	5.76	2.62	380	550
SRA1-0064	M64	96.00	3.78	192	7.56	90	3.54	6.56	2.98	380	550

CODE: SRA1

KINZI DATA SHEET

100%
RECYCLABLE

WWW.KINZI.COM