

# PRODUCT DATA SHEET



## PRODUCT - DATA

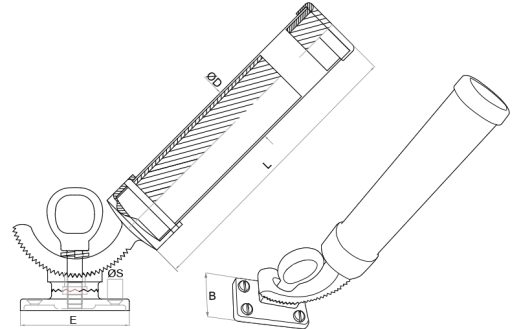
**SFG216018**

Deck mount fishing rod holder

### SFG216018

**Technical Data**

Casting material : AISI304 - DIN 1.4308  
 Forging material : AISI304 - DIN 1.4301  
 Production : SFG216018  
 Holder - Pipe  
 Body - Cast  
 Surface treatment : "M.P." (Mirror polished)



**SFG216018**  
Deck mount fishing rod holder

SFG216018		SIZE	B	B	ØD	ØD	E	E	L	L	ØS	ØS	Unit weight	Unit weight
SS304			(mm)	(inch)	(mm)	(inch)	(mm)	(inch)	(mm)	(inch)	(mm)	(inch)	(kgs)	(lb)
4216-0180	56	56	2.2	51	2.01	90	3.54	234	9.21	6.7	0.26	1.52	3.34	

CODE: SFG216018

KINZI DATA SHEET

**100%**  
**RECYCLABLE**

[WWW.KINZI.COM](http://WWW.KINZI.COM)