

PRODUCT DATA SHEET

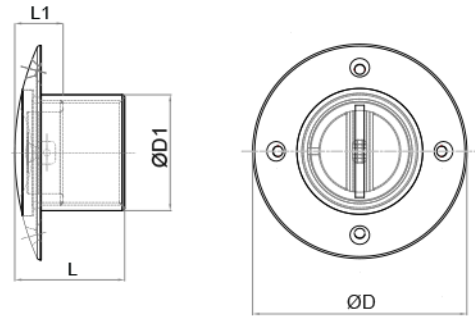


PRODUCT - DATA

SFC
Fuel cover

SFC

Technical Data
Material : AISI316 - DIN 1.4408
Production : SFC - Fuel cover - Cast
Surface treatment : "M.P." (Mirror polished)



M SFC
Metric Fuel cover

SFC	SIZE	ØD (mm)	ØD (inch)	ØD1 (mm)	ØD1 (inch)	L (mm)	L (inch)	L1 (mm)	L1 (inch)	Unit weight (kgs)	Unit weight (lb)
SS316											
6975-1115	97.5MM*G1-1/2***11BSPP*52.7MM*50MM	97.5	3.84	52.7	2.07	50	1.97	22	0.87	0.54	1.19

CODE: SFC

KINZI DATA SHEET

100%
RECYCLABLE

WWW.KINZI.COM