

PRODUCT DATA SHEET



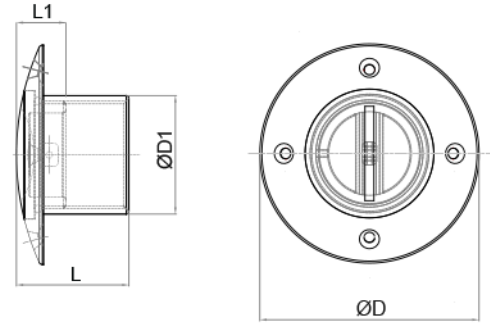
PRODUCT - DATA

SFC/FUEL
Fuel cover

SFC/FUEL

Technical Data

Material : AISI316 - DIN 1.4408
 Production : SFC/FUEL - Fuel cover - Cast
 Surface treatment : "M.P." (Mirror polished)



M SFC/FUEL
Metric Fuel cover

SFC/FUEL		SIZE	ØD (mm)	ØD (inch)	ØD1 (mm)	ØD1 (inch)	L (mm)	L (inch)	L1 (mm)	L1 (inch)	Unit weight (kgs)	Unit weight (lb)
SS316												
6975-1125	97.5MM*G1-1/2"*11BSPP		97.5	3.84	52.7	2.07	50	1.97	22	0.87	0.54	1.19

CODE: SFC/FUEL

KINZI DATA SHEET

100%
RECYCLABLE