

PRODUCT DATA SHEET



PRODUCT - DATA

SF8345
Vent

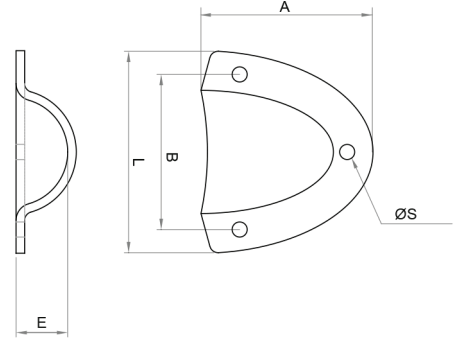
SF8345

Technical Data

Casting material : AISI316 - DIN 1.4401
Production : SF8345 - Vent - Forged
Surface treatment : "E.P." (Electro polished)



M SF8345
Metric Vent



SF8345 SS316	SIZE	A (mm)	A (inch)	B (mm)	B (inch)	E (mm)	E (inch)	L (mm)	L (inch)	ØS (mm)	ØS (inch)	Unit weight (kgs)	Unit weight (lb)
6834-5001	12*40*47.0	40	1.57	36	1.42	12	0.47	47.0	1.85	3.5	0.14	0.02	0.04
6834-5002	16*55*62.5	55	2.17	50	1.97	16	0.63	62.5	2.46	4.5	0.18	0.06	0.13

CODE: SF8345

KINZI DATA SHEET

100%
RECYCLABLE

WWW.KINZI.COM