

PRODUCT DATA SHEET



PRODUCT - DATA

SF8258P
Pulley block (type G)

SF8258P

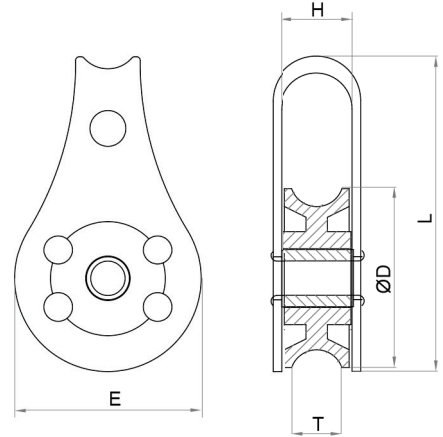
Technical Data

Stamping material : AISI304 - DIN 1.4301
 Production : SF8258P
 Sheave - Nylon
 Block - Sheet
 Rivet - Pipe
 Surface treatment : "M.F." (Matte finished)

Note : Standard safety factor for working load is 1/4 of breaking load.



M Metric **SF8258P**
Pulley block (type G)



SF8258P SS304	SIZE	ØD (mm)	ØD (inch)	E (mm)	E (inch)	H (mm)	H (inch)	L (mm)	L (inch)	T (mm)	T (inch)	Unit weight (kgs)	Unit weight (lb)	B.L. (kgs)	B.L. (lb)
4825-8025	25	25	0.98	26	1.02	10	0.39	44	1.73	6.5	0.26	0.02	0.04	350	770

CODE: SF8258P

KINZI DATA SHEET

100%
RECYCLABLE

WWW.KINZI.COM