

PRODUCT DATA SHEET



PRODUCT - DATA

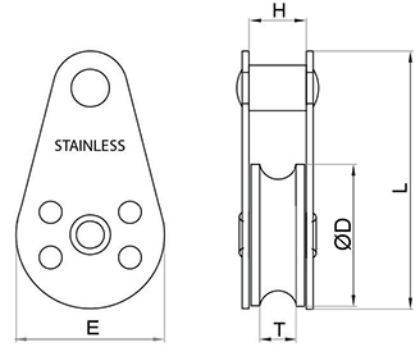
SF8250P
Pulley block (type I)

SF8250P

Technical Data

Stamping material : AISI304 - DIN 1.4301
 Production : SF8250P
 Sheave - Nylon
 Block - Sheet
 Rivet - Pipe
 Surface treatment : "M.F." (Matte finished)

Note : Standard safety factor for working load is 1/4 of breaking load.



M SF8250P
Metric Pulley block (type I)

SF8250P	SIZE	ØD	ØD	E	E	H	H	L	L	T	T	Unit	Unit	B.L.	B.L.
SS304		(mm)	(inch)	(mm)	(inch)	(mm)	(inch)	(mm)	(inch)	(mm)	(inch)	weight	weight	(kgs)	(lb)
												(kgs)	(lb)		
4825-0125	25	25	0.98	26	1.02	10	0.39	45	1.77	6.5	0.26	0.02	0.04	350	770

CODE: SF8250P

KINZI DATA SHEET

100%
RECYCLABLE

WWW.KINZI.COM