

# PRODUCT DATA SHEET



## PRODUCT - DATA

**SF322**  
Wire eye strap

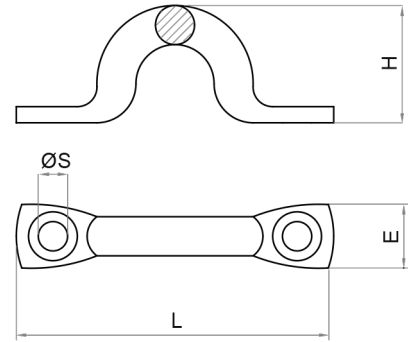
### SF322

#### Technical Data

Casting material : AISI316 - DIN 1.4401  
 Stamping material : AISI304 - DIN 1.4301  
 Production : SF322 - Strap - See chart  
 Surface treatment : "E.P." (Electro polished)



**M** SF322  
Metric Wire eye strap



SF322		SIZE	E (mm)	E (inch)	H (mm)	H (inch)	L (mm)	L (inch)	ØS (mm)	ØS (inch)	Strap	Unit weight (kgs)	Unit weight (lb)
SS304	SS316												
4322-0004	6322-0004	4	7.5	0.30	14	0.55	42	1.65	3.65	0.14	Stamped	0.01	0.02
4322-0005	6322-0005	5	8.5	0.33	18	0.71	50	1.97	4.25	0.17	Stamped	0.01	0.02
4322-0006	2322-0006	6	10.5	0.41	22	0.87	60	2.36	5.00	0.20	Stamped	0.01	0.02
4322-0008	2322-0008	8	13.5	0.53	24	0.94	64	2.52	6.00	0.24	Stamped	0.03	0.07
4322-0010	6322-0010	10	15.0	0.59	26	1.02	67	2.64	5.00	0.20	Cast	0.05	0.11

CODE: SF322

KINZI DATA SHEET

**100%**  
**RECYCLABLE**

[WWW.KINZI.COM](http://WWW.KINZI.COM)