

PRODUCT DATA SHEET



PRODUCT - DATA

SF3211
Diamond pad

SF3211

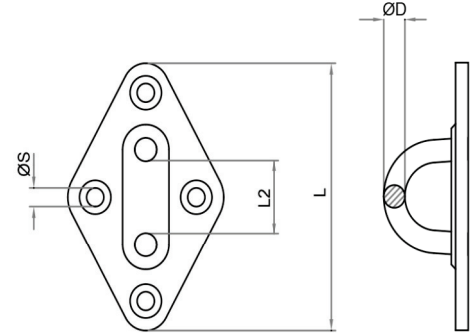
Technical Data

Forging material : AISI304 - DIN 1.4301
: AISI316 - DIN 1.4401
Production : SF3211 - Pad - Welded
Surface treatment : "E.P." (Electro polished)

Note : Standard safety factor for working load
is 1/4 of breaking load



M SF3211
Metric Diamond pad



SF3211		SIZE	ØD (mm)	ØD (inch)	L (mm)	L (inch)	L2 (mm)	L2 (inch)	ØS (mm)	ØS (inch)	Unit weight (kgs)	Unit weight (lb)	B.L. (kgs)	B.L. (lb)
SS304	SS316													
4321-1005	6321-1005	5	5	0.20	59	2.32	15	0.59	4.1	0.16	0.03	0.07	700	1,540
4321-1006	6321-1006	6	6	0.24	64	2.52	19	0.75	4.1	0.16	0.04	0.09	1,000	2,200
4321-1008	6321-1008	8	8	0.31	80	3.15	23	0.91	5.1	0.20	0.07	0.15	1,600	3,520

CODE: SF3211

KINZI DATA SHEET

100%
RECYCLABLE

WWW.KINZI.COM