

PRODUCT DATA SHEET



PRODUCT - DATA

SF3202

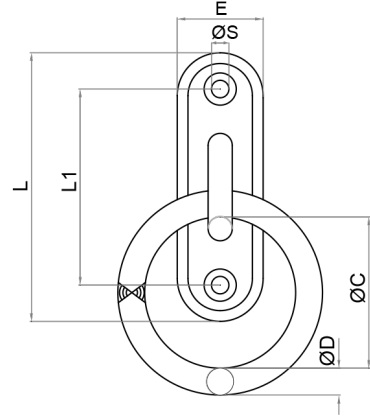
Oblong pad (with ring)

SF3202

Technical Data

Forging material : AISI304 - DIN 1.4301
 : AISI316 - DIN 1.4401
 Production : SF3202 - Pad - Welded
 Surface treatment : "E.P." (Electro polished)

Note : Standard safety factor for working load
 is 1/4 of breaking load



M **J** SF3202
 Metric Imperial Oblong pad (with ring)

SF3202		SIZE	ØC	ØC	ØD	ØD	E	E	L	L	L1	L1	ØS	ØS	Unit weight (kgs)	Unit weight (lb)	B.L. (kgs)	B.L. (lb)
SS304	SS316		(mm)	(inch)	(mm)	(inch)	(mm)	(inch)	(mm)	(inch)	(mm)	(inch)	(mm)	(inch)				
4320-2005	6320-2005	5	30	1.18	5	0.20	16	0.63	54	2.13	38	1.50	5.0	0.20	0.04	0.09	700	1,540
4320-2006	6320-2006	6	40	1.57	6	0.24	19	0.75	65	2.56	46	1.81	5.6	0.22	0.06	0.13	1,000	2,200
4320-2008	6320-2008	8	50	1.97	8	0.31	25	0.98	81	3.19	56	2.20	6.5	0.26	0.13	0.29	1,600	3,520
4320-2009	6320-2009	9	60	2.36	9	0.35	32	1.26	100	3.94	73	2.87	6.5	0.26	0.21	0.46	1,900	4,180

CODE: SF3202

KINZI DATA SHEET

100%
RECYCLABLE

WWW.KINZI.COM