

PRODUCT DATA SHEET



PRODUCT - DATA

SF2431X

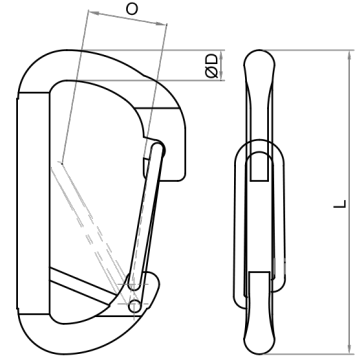
Spring snaps - type 2 (circular hook with welded bar end)

SF2431X

Technical Data

Forging material : AISI316 - DIN 1.4401
 Production : SF2431X - Snap - Forged
 Surface treatment : "E.P." (Electro polished)

Note : Standard safety factor for working load is 1/4 of breaking load



SF2431X
 Spring snaps - type2
 (circular hook with welded bar end)

SF2431X SS316	SIZE	ØD (mm)	ØD (inch)	L (mm)	L (inch)	O (mm)	O (inch)	Unit weight (kgs)	Unit weight (lb)	B.L. (kgs)	B.L. (lb)
6243-1106	6	6	0.24	60	2.36	15	0.59	0.03	0.07	800	1,760
6243-1108	8	8	0.31	80	3.15	22	0.87	0.07	0.15	1,450	3,190
6243-1110	10	10	0.39	100	3.94	25	0.98	0.12	0.26	2,850	6,270
6243-1112	12	12	0.47	120	4.72	28	1.10	0.22	0.48	3,600	7,920

CODE: SF2431X

KINZI DATA SHEET

100%
RECYCLABLE

WWW.KINZI.COM