

PRODUCT DATA SHEET



PRODUCT - DATA

SF2430B

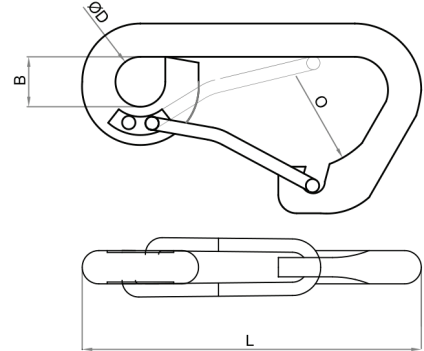
Spring snaps (angled hook and latch with eye end)

SF2430B

Technical Data

Forging material : AISI304 - DIN 1.4301/
 AISI316 - DIN 1.4401
 Production : SF2430B - Snap - Forged
 Surface treatment : "E.P." (Electro polished)

Note : Standard safety factor for working load is 1/4 of breaking load



M Metric **SF2430B**
 Spring snaps
 (angled hook and latch with eye end)

SF2430B		SIZE	B (mm)	B (inch)	ØD (mm)	ØD (inch)	L (mm)	L (inch)	O (mm)	O (inch)	Unit weight (kgs)	Unit weight (lb)	B.L. (kgs)	B.L. (lb)
SS304	SS316													
4243-0306	6243-0306	6	10	0.39	6	0.24	61	2.40	12.5	0.49	0.03	0.07	750	1,650
4243-0308	6243-0308	8	12	0.47	8	0.31	81	3.19	17.0	0.67	0.07	0.15	1,750	3,850
4243-0310	6243-0310	10	15	0.59	10	0.39	102	4.02	23.5	0.93	0.14	0.31	2,250	4,950
4243-0312	6243-0312	12	19	0.75	12	0.47	122	4.80	28.0	1.10	0.24	0.53	3,650	8,030

CODE: SF2430B

KINZI DATA SHEET

100%
RECYCLABLE

WWW.KINZI.COM