

PRODUCT DATA SHEET



PRODUCT - DATA

SF234U
Light thimbles

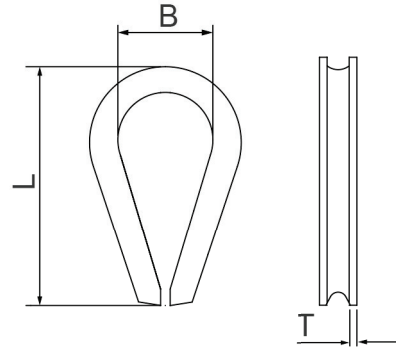
SF234U

Technical Data

Forging material : AISI316 - DIN 1.4401
Production : SF234U - Thimble - Forged
Surface treatment : "E.P." (Electro polished)



M SF234U
Metric Light thimbles



SF234U		SIZE	B (mm)	B (inch)	L (mm)	L (inch)	T (mm)	T (inch)	DiaØCable (mm)	Unit weight (kgs)	Unit weight (lb)
SS304	SS316										
4234-0200	6234-0002	2	10.0	0.39	25.0	0.98	0.8	0.03	2	0.01	0.02
4234-0003	6234-0003	3	12.5	0.49	28.5	1.12	1.0	0.04	3	0.01	0.02
4234-0400	6234-0004	4	13.0	0.51	33.0	1.30	1.2	0.05	4	0.01	0.02
4234-0500	6234-0005	5	15.5	0.61	36.5	1.44	1.2	0.05	5	0.01	0.02
4234-0600	6234-0006	6	17.0	0.67	40.0	1.57	1.5	0.06	6	0.01	0.02
4234-0800	6234-0008	8	22.5	0.89	51.0	2.01	1.5	0.06	8	0.02	0.04
4234-1010	6234-1010	10	26.0	1.02	58.5	2.30	2.0	0.08	10	0.04	0.09
4234-1012	6234-1012	12	31.0	1.22	68.0	2.68	2.0	0.08	12	0.05	0.11
4234-1014	6234-1014	14	34.0	1.34	74.0	2.91	2.5	0.10	14	0.08	0.18
4234-1016	6234-1016	16	37.5	1.48	83.0	3.27	2.5	0.10	16	0.11	0.24
4234-1018	6234-1018	18	40.0	1.57	92.0	3.62	3.0	0.12	18	0.16	0.35
4234-0020	6234-0020	20	45.0	1.77	104.0	4.09	3.0	0.12	20	0.21	0.46
4234-0022	6234-0022	22	50.5	1.99	115.0	4.53	4.0	0.16	22	0.33	0.73
4234-0025	6234-0025	25	54.0	2.13	125.0	4.92	4.0	0.16	25	0.41	0.90

CODE: SF234U

KINZI DATA SHEET

100%
RECYCLABLE

WWW.KINZI.COM