

PRODUCT DATA SHEET



PRODUCT - DATA

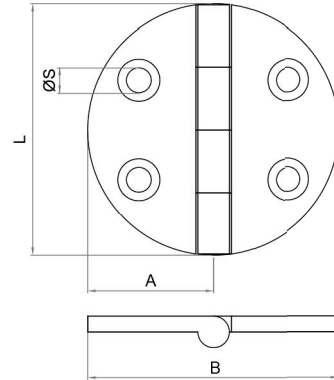
S9227/HP

Stainless steel hinge (type O)

S9227/HP

Technical Data

Casting material : AISI316 - DIN 1.4408
Production : S9227/HP - Hinge - Cast
Surface treatment : "M.P." (Mirror polished)



M Metric **S9227/HP**
Stainless steel hinge (type O)

S9227/HP	SIZE	A	A	B	B	L	L	ØS	ØS	Unit weight	Unit weight
SS316		(mm)	(inch)	(mm)	(inch)	(mm)	(inch)	(mm)	(inch)	(kgs)	(lb)
6922-7644	4	32	1.26	64	2.52	64	2.52	6.3	0.25	0.10	0.22

CODE: S9227/HP

KINZI DATA SHEET

100%
RECYCLABLE

WWW.KINZI.COM