

# PRODUCT DATA SHEET



## PRODUCT - DATA

**S9223WS**  
Angle hinge

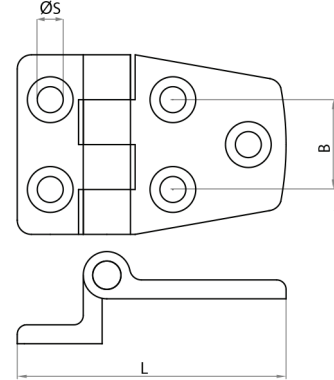
### S9223WS

**Technical Data**

Casting material : AISI316 - DIN 1.4408  
 Production : S9223WS - Angle - Stamped  
 Surface treatment : "M.P." (Mirror polished)



 **S9223WS**  
Angle hinge



S9223WS SS316	SIZE	B (mm)	B (inch)	L (mm)	L (inch)	ØS (mm)	ØS (inch)	Unit weight (kgs)	Unit weight (lb)
6922-3157	57	19	0.75	57.0	2.24	5.5	0.22	0.07	0.15
6922-3171	71	19	0.75	71.5	2.81	5.5	0.22	0.09	0.20

CODE: S9223WS

KINZI DATA SHEET

**100%**  
**RECYCLABLE**

[WWW.KINZI.COM](http://WWW.KINZI.COM)