

# PRODUCT DATA SHEET



## PRODUCT - DATA

**S9222R-3"**  
Hinge (type 3)

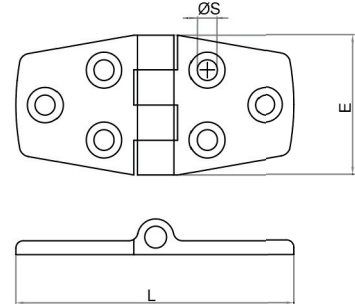
### S9222R-3"

**Technical Data**

Casting material : AISI316 - DIN 1.4408  
Production : S9222R-3" - Hinge - Cast  
Surface treatment : "M.P." (Mirror polished)



 **S9222R-3"**  
Hinge (type 3)



<b>S9222R-3"</b>	<b>SIZE</b>	<b>E</b>	<b>E</b>	<b>L</b>	<b>L</b>	<b>ØS</b>	<b>ØS</b>	<b>Unit weight</b>	<b>Unit weight</b>
SS316		(mm)	(inch)	(mm)	(inch)	(mm)	(inch)	(kgs)	(lb)
6922-2003	3"	38	1.5	76	2.99	5.5	0.22	0.07	0.15

CODE: S9222R-3"

KINZI DATA SHEET

**100%**  
**RECYCLABLE**

[WWW.KINZI.COM](http://WWW.KINZI.COM)