

# PRODUCT DATA SHEET



## PRODUCT - DATA

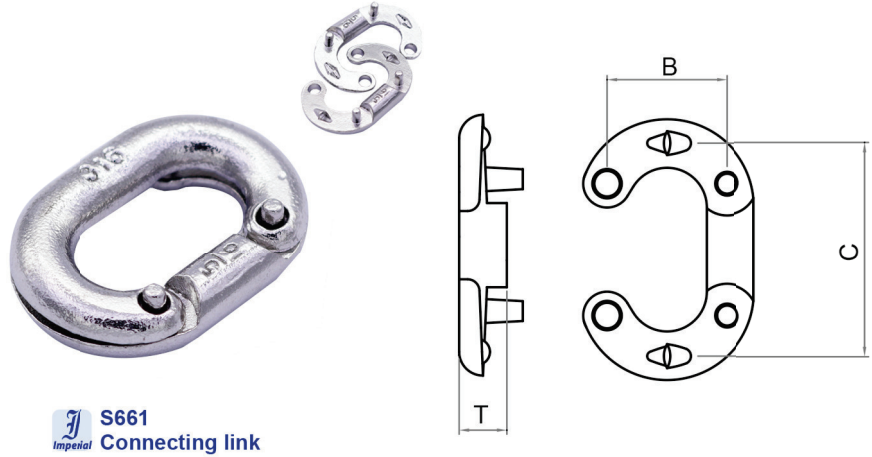
**S661**  
Connecting link

### S661

#### Technical Data

Casting material : AISI304 - DIN 1.4308/  
AISI316 - DIN 1.4408  
Production : S661 - Link - Cast  
Surface treatment : "E.P." (Electro polished)

Note : Standard safety factor for working load  
is 1/4 of breaking load.



 **S661**  
Connecting link

S661 SS316	SIZE	B (mm)	B (inch)	C (mm)	C (inch)	T (mm)	T (inch)	Unit weight (kgs)	Unit weight (lb)	B.L. (kgs)	B.L. (lb)
6661-0316	3/16"	8.5	0.33	17.00	0.67	5.0	0.20	0.01	0.02	550	1,210
6661-0104	1/4"	10.5	0.41	20.80	0.82	6.0	0.24	0.02	0.04	800	1,760
6661-0516	5/16"	12.0	0.47	24.00	0.94	8.0	0.31	0.03	0.07	1,450	1,900
6661-0308	3/8"	15.0	0.59	28.25	1.11	9.5	0.37	0.06	0.13	1,900	4,180
6661-0716	7/16"	16.5	0.65	32.50	1.28	11.0	0.43	0.09	0.20	2,550	5,610
6661-0102	1/2"	18.5	0.73	36.75	1.45	12.5	0.49	0.12	0.26	3,200	7,040

CODE: S661

KINZI DATA SHEET

**100%**  
**RECYCLABLE**

[WWW.KINZI.COM](http://WWW.KINZI.COM)