

PRODUCT DATA SHEET



PRODUCT - DATA

S505

Trim line cleat

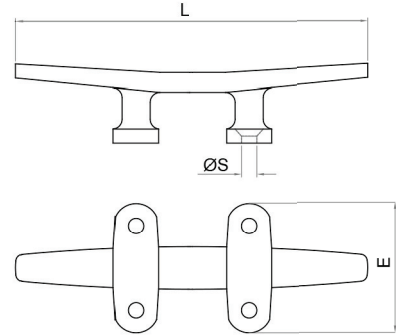
S505

Technical Data

Casting material : AISI316 - DIN 1.4408
 Production : S505 - Cleat - Cast
 Surface treatment : "M.P." (Mirror polished)



 **S505**
Imperial Trim line cleat



S505 SS316	SIZE	E (mm)	E (inch)	L (mm)	L (inch)	ØS (mm)	ØS (inch)	Unit weight (kgs)	Unit weight (lb)
6505-0004	4"	36.0	1.42	100	3.94	4.5	0.18	0.10	0.22
6505-0005	5"	46.0	1.81	125	4.92	5.5	0.22	0.13	0.29
6505-0006	6"	53.0	2.09	150	5.91	6.5	0.26	0.23	0.51
6505-0008	8"	68.0	2.68	200	7.87	8.5	0.33	0.40	0.88
6505-0010	10"	82.5	3.25	250	9.84	8.5	0.33	0.58	1.28
6505-0012	12"	82.5	3.25	300	11.81	8.5	0.33	0.82	1.80

CODE: S505

KINZI DATA SHEET

100%
RECYCLABLE

WWW.KINZI.COM