

PRODUCT DATA SHEET



PRODUCT - DATA

S5013

Tiger snaps (swivel end)

S5013

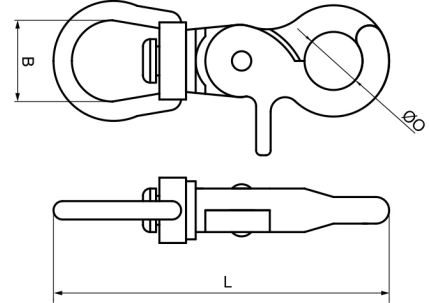
Technical Data

Casting material : AISI304- DIN 1.4308/
 AISI316- DIN 1.4408
 Production : S5013 - Snap - Cast
 Surface treatment : "E.P." (Electro polished)

Note : Standard safety factor for working load
 is 1/4 of breaking load



 **S5013**
 Tiger snaps (swivel end)



S5013		SIZE	B (mm)	B (inch)	L (mm)	L (inch)	ØO (mm)	ØO (inch)	Unit weight (kgs)	Unit weight (lb)	B.L. (kgs)	B.L. (lb)
SS304	SS316											
4501-3102	6501-3102	1/2"	13.0	0.51	66.5	2.62	12	0.47	0.04	0.09	200	440
4501-3508	6501-3508	5/8"	16.8	0.66	69.5	2.74	12	0.47	0.04	0.09	200	440

CODE: S5013

KINZI DATA SHEET

100%
RECYCLABLE

WWW.KINZI.COM