

# PRODUCT DATA SHEET



## PRODUCT - DATA

### S4600

Long wing bolt (with washer and nut)

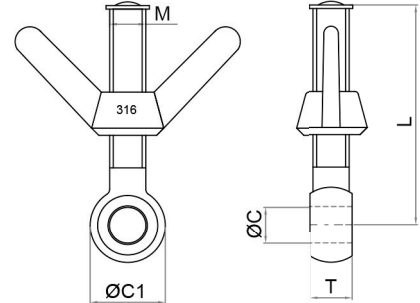
### S4600

#### Technical Data

Casting material : AISI304 - DIN 1.4308  
 : AISI316 - DIN 1.4408  
 Production : S4600 - Bolt - Cast  
 Surface treatment : "E.P." (Electro polished)



**M** Metric **S4600**  
 Long wing bolt (with washer and nut)



S4600 SS316	SIZE	ØC (mm)	ØC (inch)	ØC1 (mm)	ØC1 (inch)	L (mm)	L (inch)	M (mm)	T (mm)	T (inch)	Unit weight (kgs)	Unit weight (lb)
6460-0850	8*50	8.0	0.31	18	0.71	50	1.97	M8	9	0.35	0.04	0.09
6460-1060	10*60	10.0	0.39	20	0.79	60	2.36	M10	12	0.47	0.07	0.15
6460-1280	12*80	12.3	0.43	25	0.98	80	3.15	M12	14	0.55	0.13	0.29

CODE: S4600

KINZI DATA SHEET

**100%**  
**RECYCLABLE**

[WWW.KINZI.COM](http://WWW.KINZI.COM)