

# PRODUCT DATA SHEET



## PRODUCT - DATA

**S4100**  
Folding anchor

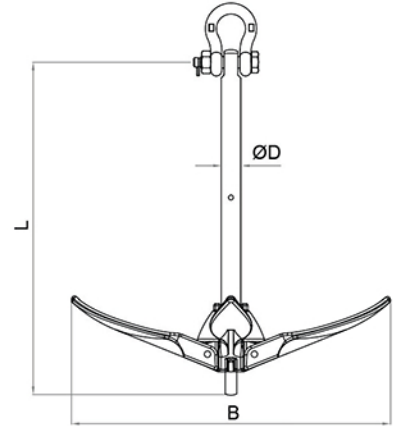
### S4100

#### Technical Data

Casting material : AISI316 - DIN 1.4408  
Production : S4100 - Anchor - Cast  
Surface treatment : "M.P." (Mirror polished)



**S4100**  
Folding anchor



S4100 SS316	SIZE	B (mm)	B (inch)	ØD (mm)	ØD (inch)	L (mm)	L (inch)	Unit weight (kgs)	Unit weight (lb)
6410-0105	1.5	280	11.02	17.00	0.67	280	11.02	1.62	3.56
6410-0003	3.0	325	12.80	20.00	0.79	330	12.99	2.82	6.20
6410-0005	5.0	410	16.14	21.90	0.86	400	15.75	4.52	9.94
6410-0007	7.0	470	18.50	25.00	0.98	460	18.11	6.40	14.08
6410-0010	10.0	575	22.64	28.18	1.11	523	20.59	9.50	20.90

CODE: S4100

KINZI DATA SHEET

**100%**  
**RECYCLABLE**

[WWW.KINZI.COM](http://WWW.KINZI.COM)