

PRODUCT DATA SHEET



PRODUCT - DATA

S369X

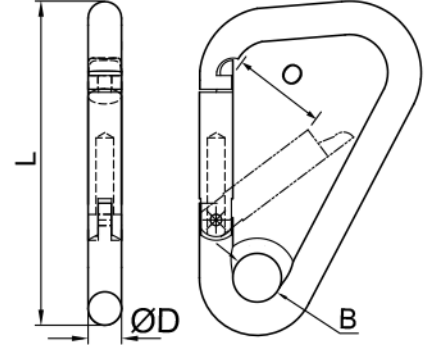
Locking Snaps (angled hook with eye end)

S369X

Technical Data

Forging material : AISI316- DIN 1.4408
 Production : S369X - Snap - Cast
 Surface treatment : "E.P." (Electro polished)

Note : Standard safety factor for working load is 1/4 of breaking load



M Metric S369X Locking Snaps (angled hook with eye end)

S369X SS316	SIZE	ØB (mm)	ØB (inch)	ØD (mm)	ØD (inch)	L (mm)	L (inch)	O (mm)	O (inch)	Unit weight (kgs)	Unit weight (lb)	B.L. (kgs)	B.L. (lb)
6369-1111	11	16	0.63	11	0.43	108	4.25	30	1.18	0.19	0.42	1,850	1,018

CODE: S369X

KINZI DATA SHEET

**100%
RECYCLABLE**

WWW.KINZI.COM