

PRODUCT DATA SHEET



PRODUCT - DATA

S365LK

Halyard shackle (locking pin)

S365LK

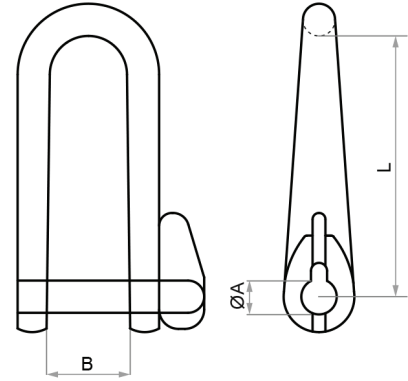
Technical Data

Casting material : AISI316 - DIN 1.4408
 Production : S365LK
 Shackle - Cast
 Pin - Cast
 Surface treatment : "E.P." (Electro polished)

Note : Standard safety factor for working load
 is 1/4 of breaking load



M S365LK
 Metric Halyard shackle (locking pin)



S365LK SS316	SIZE	ØA (mm)	ØA (inch)	B (mm)	B (inch)	L (mm)	L (inch)	Unit weight (kgs)	Unit weight (lb)	B.L. (kgs)	B.L. (lb)
6365-0005	5	5	0.20	13	0.51	40.5	1.59	0.03	0.07	1,000	2,200
6365-0106	6	6	0.24	16	0.63	46.0	1.81	0.05	0.11	1,600	3,520
6365-0008	8	8	0.31	22	0.87	64.0	2.52	0.11	0.24	2,250	4,950

CODE: S365LK

KINZI DATA SHEET

100%
RECYCLABLE

WWW.KINZI.COM