

PRODUCT DATA SHEET



PRODUCT - DATA

S362 Long D-shackle

S362

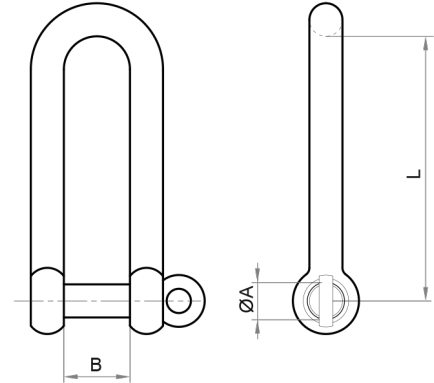
Technical Data

Casting material : AISI316 - DIN 1.4408
 Forging material : AISI316 - DIN 1.4401
 Production : S362
 Shackle - Cast
 Pin - Forged
 Surface treatment : "E.P." (Electro polished)

Note : Standard safety factor for working load
 is 1/4 of breaking load



M Metric **S362**
Long D-shackle



S362 SS316	SIZE	ØA (mm)	ØA (inch)	B (mm)	B (inch)	L (mm)	L (inch)	Unit weight (kgs)	Unit weight (lb)	B.L. (kgs)	B.L. (lb)
6362-0004	4	4	0.16	8	0.31	32	1.26	0.01	0.02	500	1,100
6362-0005	5	5	0.20	10	0.39	40	1.57	0.02	0.04	1,000	2,200
6362-0006	6	6	0.24	12	0.47	48	1.89	0.03	0.07	1,700	3,740
6362-0008	8	8	0.31	16	0.63	64	2.52	0.08	0.18	2,500	5,500
6362-0012	12	12	0.47	24	0.94	96	3.78	0.27	0.59	5,400	11,880

CODE: S362

KINZI DATA SHEET

100%
RECYCLABLE

WWW.KINZI.COM