

# PRODUCT DATA SHEET



## PRODUCT - DATA

### S331 Slip hook (clevis end)

### S331

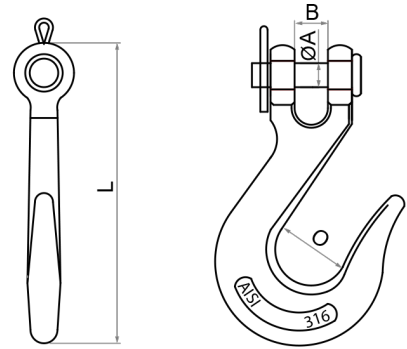
#### Technical Data

Casting material : AISI316 - DIN 1.4408  
 Production : S331 - Hook - Cast  
 Surface treatment : "E.P." (Electro polished)

Note : Standard safety factor for working load  
 is 1/4 of breaking load



 **S331**  
Slip hook (clevis end)



S331 SS316	SIZE	ØA (mm)	ØA (inch)	B (mm)	B (inch)	L (mm)	L (inch)	O (mm)	O (inch)	Unit weight (kgs)	Unit weight (lb)	B.L. (kgs)	B.L. (lb)
6331-0104	1/4"	9	0.35	11.1	0.44	100.0	3.94	22.5	0.89	0.19	0.42	2,000	4,400
6331-0516	5/16"	11	0.43	12.7	0.50	112.0	4.41	24.5	0.96	0.33	0.73	3,100	6,820
6331-0308	3/8"	12	0.47	15.0	0.59	131.5	5.18	30.0	1.18	0.52	1.14	4,000	8,800
6331-0102	1/2"	16	0.63	19.0	0.75	165.5	6.52	36.0	1.42	1.01	2.22	6,000	12,320

CODE: S331

KINZI DATA SHEET

**100%**  
**RECYCLABLE**

[WWW.KINZI.COM](http://WWW.KINZI.COM)