

PRODUCT DATA SHEET



PRODUCT - DATA

S3230
Hook anchor

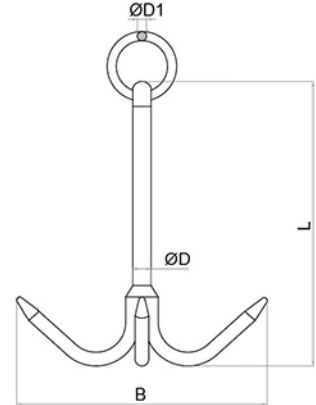
S3230

Technical Data

Casting material : AISI316 - DIN 1.4408
 Forging material : AISI304 - DIN 1.4301
 Production : S3230 - Anchor - Welded
 Surface treatment : "E.P." (Electro polished)



 **S3230**
Hook anchor



S3230		SIZE	B	B	ØD	ØD	ØD1	ØD1	L	L	Unit weight	Unit weight
SS304	SS316		(mm)	(inch)	(mm)	(inch)	(mm)	(inch)	(mm)	(inch)	(kgs)	(lb)
4323-0200	6323-0200	8"	145	5.71	13	0.51	6	0.24	205	8.07	0.43	0.95
4323-0240	6323-0240	10"	220	8.66	16	0.63	8	0.31	250	9.84	0.91	2.00

CODE: S3230

KINZI DATA SHEET

100%
RECYCLABLE

WWW.KINZI.COM