

PRODUCT DATA SHEET



PRODUCT - DATA

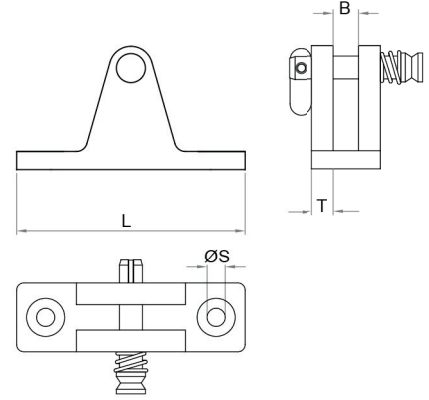
S31614A

Deck hinge (mount with removable pin)

S31614A

Technical Data

Casting material : AISI316 - DIN 1.4408
 Production : S31614A - Hinge - Cast
 Surface treatment : "M.P." (Mirror polished)
 "E.P." (Electro polished)



 **S31614A**
Deck hinge (mount with removable pin)

S31614A SS316	SIZE	Surface treatment	B (mm)	B (inch)	L (mm)	L (inch)	ØS (mm)	ØS (inch)	T (mm)	T (inch)	Unit weight (kgs)	Unit weight (lb)
6316-1401	7/8"	E.P.	7	0.28	63	2.48	5	0.2	6	0.24	0.09	0.20
6316-1402	7/8"	M.P.	7	0.28	63	2.48	5	0.2	6	0.24	0.09	0.20

CODE: S31614A

KINZI DATA SHEET

100%
RECYCLABLE

WWW.KINZI.COM