

PRODUCT DATA SHEET



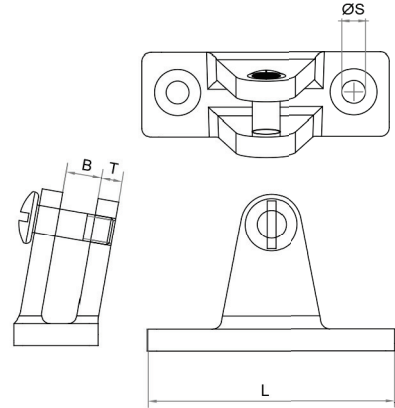
PRODUCT - DATA

S31606
Deck hinge (angle side mount)

S31606

Technical Data

Casting material : AISI316 - DIN 1.4408
 Production : S31606 - Hinge - Cast
 Surface treatment : "M.P." (Mirror polished)/
 "E.P." (Electro polished)



 **S31606**
Deck hinge (angle side mount)

S31606 SS316	SIZE	Surface treatment	B (mm)	B (inch)	L (mm)	L (inch)	ØS (mm)	ØS (inch)	T (mm)	T (inch)	Unit weight (kgs)	Unit weight (lb)
6316-0678	7/8"	E.P.	8	0.31	56	2.2	5.2	0.2	4.75	0.19	0.08	0.18
6316-0614	7/8"	M.P.	8	0.31	56	2.2	5.2	0.2	4.75	0.19	0.08	0.18

CODE: S31606

KINZI DATA SHEET

100%
RECYCLABLE

WWW.KINZI.COM