

PRODUCT DATA SHEET



PRODUCT - DATA

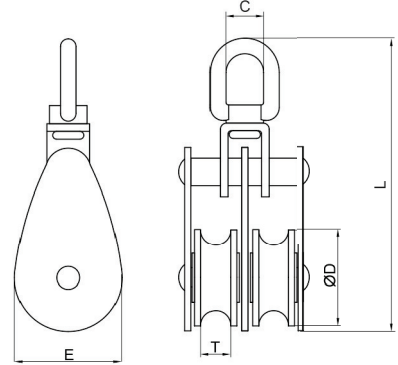
S3151NL

Mame block (double nylon sheave)

S3151NL

Technical Data

Casting material : AISI304 - DIN 1.4308
 Stamping material : AISI304 - DIN 1.4301
 Production : S3151NL
 Swivel eye - Cast
 Sheave - Nylon
 Block(sheet) - Stamped
 Surface treatment : "E.P." (Electro polished)



Note : Standard safety factor for working load is 1/4 of breaking load.

M Metric **S3151NL**
 Mame block
 (double nylon sheave)

S3151NL SS304	SIZE	C (mm)	C (inch)	ØD (mm)	ØD (inch)	E (mm)	E (inch)	L (mm)	L (inch)	T (mm)	T (inch)	Unit weight (kgs)	Unit weight (lb)	B.L. (kgs)	B.L. (lb)
4315-1325	25	13.0	0.51	25	0.98	30	1.18	87.5	3.44	10	0.39	0.11	0.24	950	2,090
4315-1332	32	13.0	0.51	32	1.26	36	1.41	105.0	4.13	10	0.39	0.15	0.33	1,200	2,640

CODE: S3151NL

KINZI DATA SHEET

100%
RECYCLABLE

WWW.KINZI.COM