

PRODUCT DATA SHEET



PRODUCT - DATA

S3151

Mame block (double cast sheave)

S3151

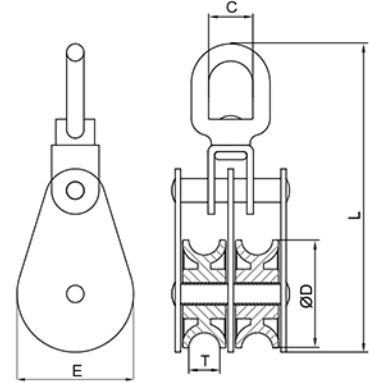
Technical Data

Casting material : AISI304 - DIN 1.4308
 Stamping material : AISI304 - DIN 1.4301
 Production : S3151
 Swivel eye - Cast
 Sheave - Nylon
 Block(sheet) - Stamped
 Surface treatment : "E.P." (Electro polished)

Note : Standard safety factor for working load is 1/4 of breaking load.



M Metric **S3151**
 Mame block
 (double cast sheave)



S3151		SIZE	C	C	ØD	ØD	E	E	L	L	T	T	Unit	Unit	B.L.	B.L.
SS304			(mm)	(inch)	(mm)	(inch)	(mm)	(inch)	(mm)	(inch)	(mm)	(inch)	weight	weight	(kgs)	(lb)
4315-1025	25	13.0	0.51	25	0.98	30	1.18	87.5	3.44	8.0	0.31	0.17	0.37	950	2,090	
4315-1032	32	13.0	0.51	32	1.26	36	1.41	105.0	4.13	9.0	0.35	0.24	0.53	1,200	2,640	
4315-1050	50	20.5	0.81	50	1.97	54	2.12	142.0	5.59	14.5	0.57	0.61	1.34	2,800	6,160	

CODE: S3151

KINZI DATA SHEET

100%
RECYCLABLE

WWW.KINZI.COM