

PRODUCT DATA SHEET



PRODUCT - DATA

S315

Mame block (double cast sheave)

S315

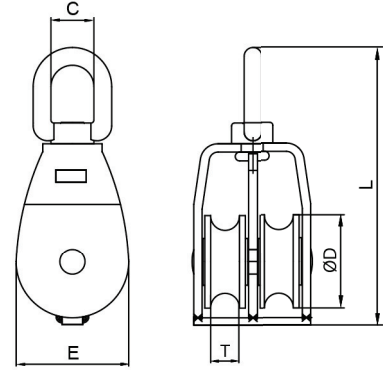
Technical Data

Casting material : AISI304 - DIN 1.4308
 Stamping material : AISI304 - DIN 1.4301
 Welding material : AISI304 - DIN 1.4301
 Production : S315
 Swivel eye - Cast
 Sheave - Nylon
 Block(sheet) - Stamped
 Surface treatment : "E.P." (Electro polished)

Note : Standard safety factor for working load is 1/4 of breaking load.



M Metric **S315**
 Mame block
 (double cast sheave)



S315		SIZE	C	C	E	E	ØD	ØD	L	L	T	T	Unit weight	Unit weight	B.L.	B.L.
SS304			(mm)	(inch)	(mm)	(inch)	(mm)	(inch)	(mm)	(inch)	(mm)	(inch)	(kgs)	(lb)	(kgs)	(lb)
4315-0025	25	14.5	0.57	30	1.18	25	0.98	80.0	3.15	11.5	0.45	0.21	0.46	1,500	3,300	
4315-0032	32	14.5	0.57	36	1.41	32	1.25	92.5	3.64	12.5	0.49	0.29	0.64	1,500	3,300	
4315-0050	50	20.5	0.81	54	2.12	50	1.96	127.0	5.00	14.5	0.57	0.63	1.39	2,500	5,500	

CODE: S315

KINZI DATA SHEET

100%
RECYCLABLE

WWW.KINZI.COM