

PRODUCT DATA SHEET



PRODUCT - DATA

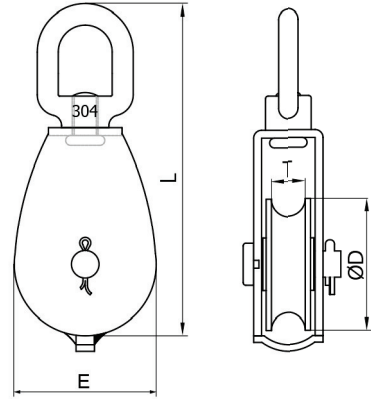
S314NL
Mame block (nylon sheave)

S314NL

Technical Data

Casting material : AISI304 - DIN 1.4301
 Stamping material : AISI304 - DIN 1.4301
 Welding material : AISI304 - DIN 1.4301
 Production : S314NL
 Swivel eye - Cast
 Sheave - Nylon
 Block (sheet) - Stamped
 Eye end - Bar
 Surface treatment : "M.F." (Matte finished)

Note : Standard safety factor for working load is 1/4 of breaking load.



M Metric **S314NL**
Mame block (nylon sheave)

S314NL SS304	SIZE	ØD (mm)	ØD (inch)	E (mm)	E (inch)	L (mm)	L (inch)	T (mm)	T (inch)	Unit weight (kgs)	Unit weight (lb)	B.L. (kgs)	B.L. (lb)
4314-0325	25	25	0.98	30	1.18	80.5	3.17	10.0	0.39	0.11	0.24	1,500	3,300
4314-0332	32	32	1.26	36	1.41	93.0	3.66	10.0	0.39	0.15	0.33	1,700	3,740
4314-0350	50	50	1.97	54	2.12	124.0	4.88	13.5	0.53	0.29	0.64	2,800	6,160

CODE: S314NL

KINZI DATA SHEET

100%
RECYCLABLE

WWW.KINZI.COM